

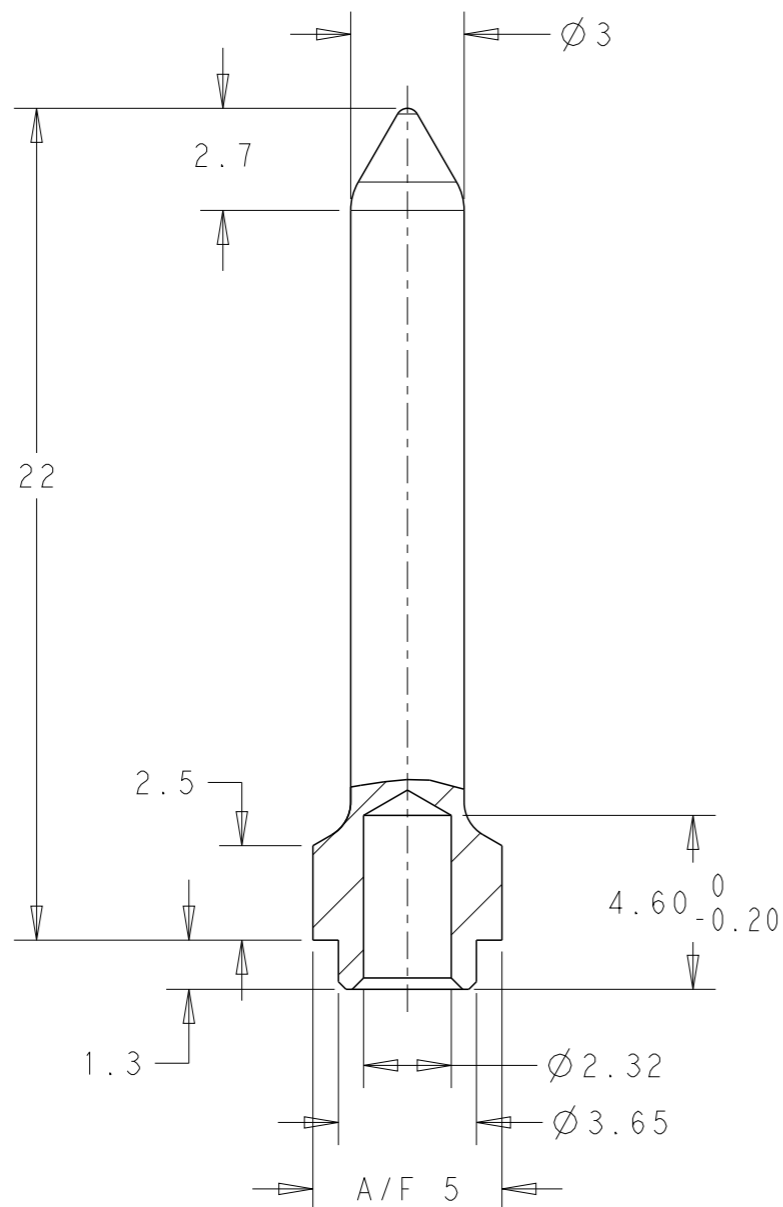
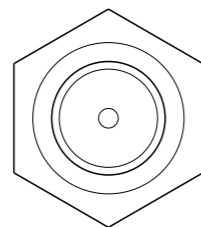
REVISIONS

P	LTR	DESCRIPTION	DATE	DWN	APVD
	A2	REVISED PER ECO-17-013551	28DEC2017	A.S	H.L
	B	REVISED PER ECN-22-161597	28JUN2022	NV	HL

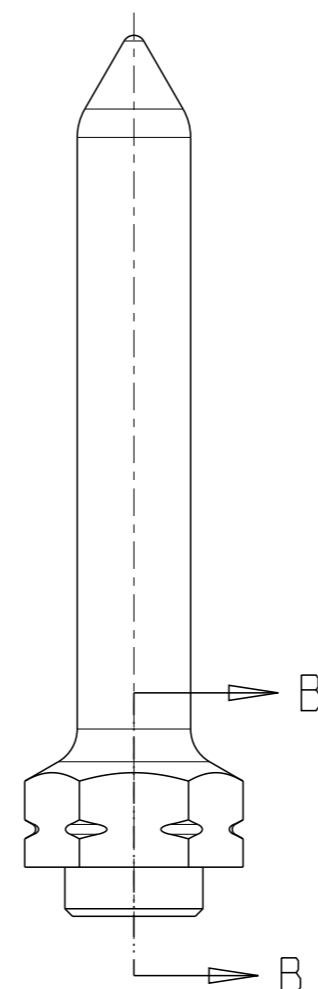
NOTE :

① RAW MATERIAL : CARBON STEEL

② FINISH : Ag with passivation over Cu.

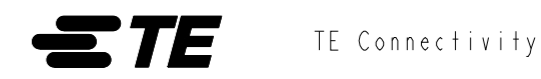


SECTION B - B
SCALE 5:1



THIS DRAWING IS A CONTROLLED DOCUMENT.		DWN Vabesien 24.10.02
DIMENSIONS: mm		CHK -
TOLERANCES UNLESS OTHERWISE SPECIFIED:		APVD -
0 PLC	±-	PRODUCT SPEC -
1 PLC	±-	APPLICATION SPEC -
2 PLC	±-	WEIGHT -
3 PLC	±-	CUSTOMER DRAWING
4 PLC	±-	SCALE 5:1
ANGLES	±-	SHEET 1 OF 1
FINISH	②	REV B

OLD PART NUMBER C39228-A297-C11	TE PART NUMBER 1-1393495-0



NAME PRE-MATING PIN C39228-A297-C11-**-*		RESTRICTED TO -
SIZE A3	CAGE CODE 00779	DRAWING NO C-1-1393495-0