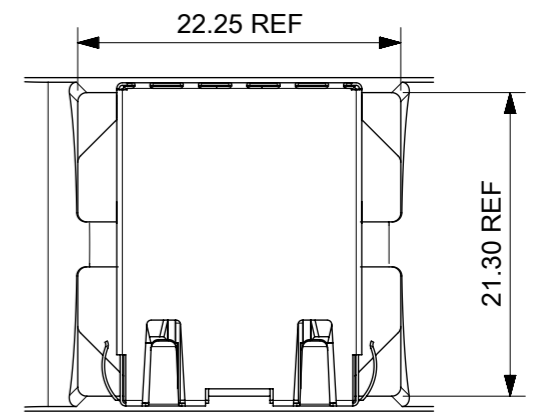
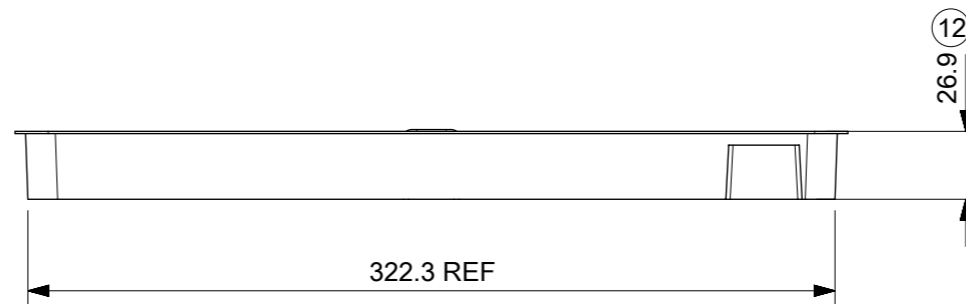
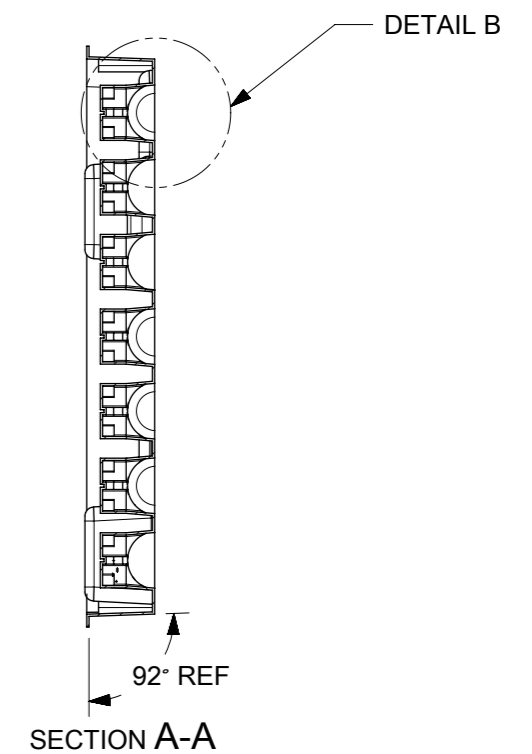
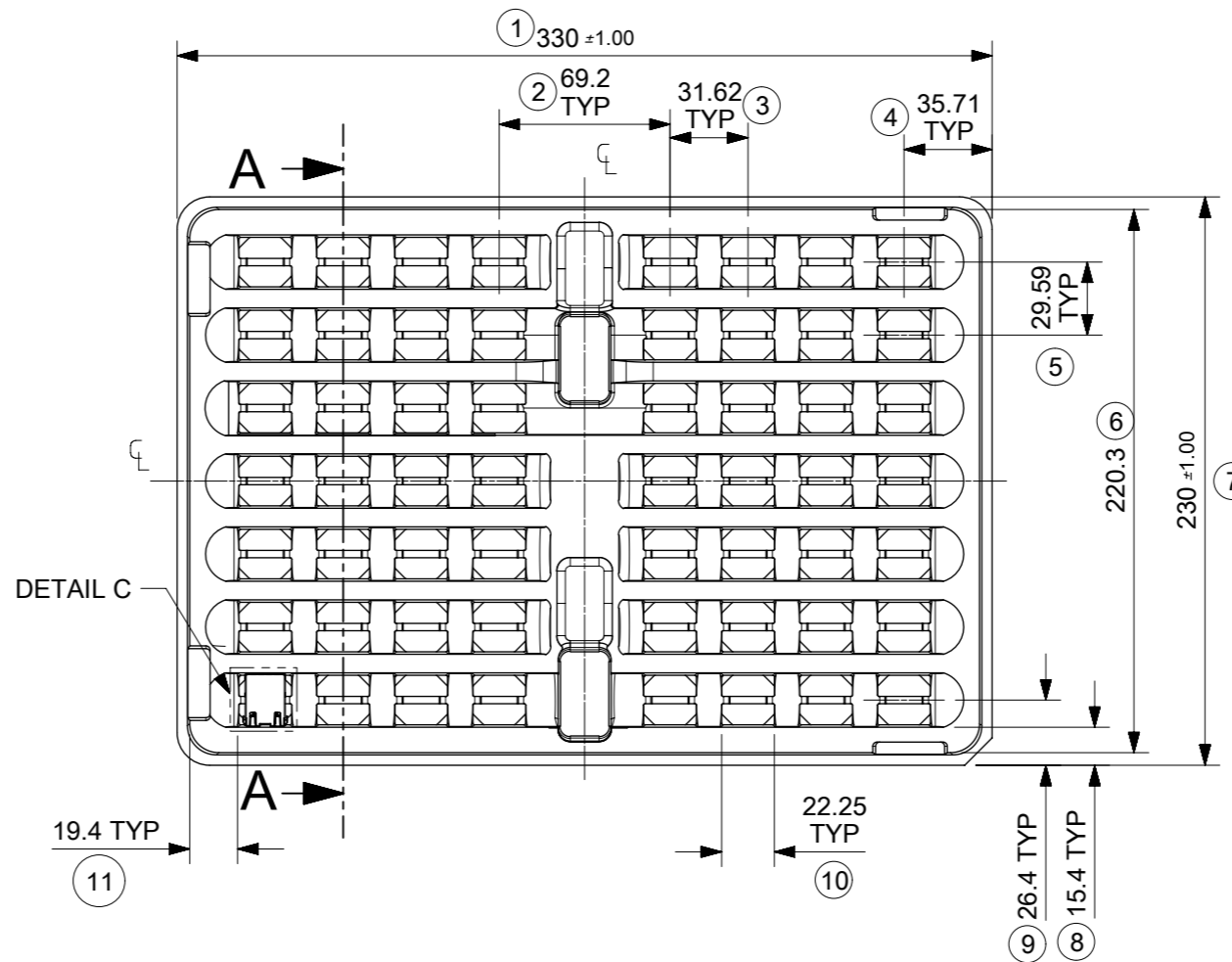


DETAIL B



DETAIL C  
SCALE 2:1



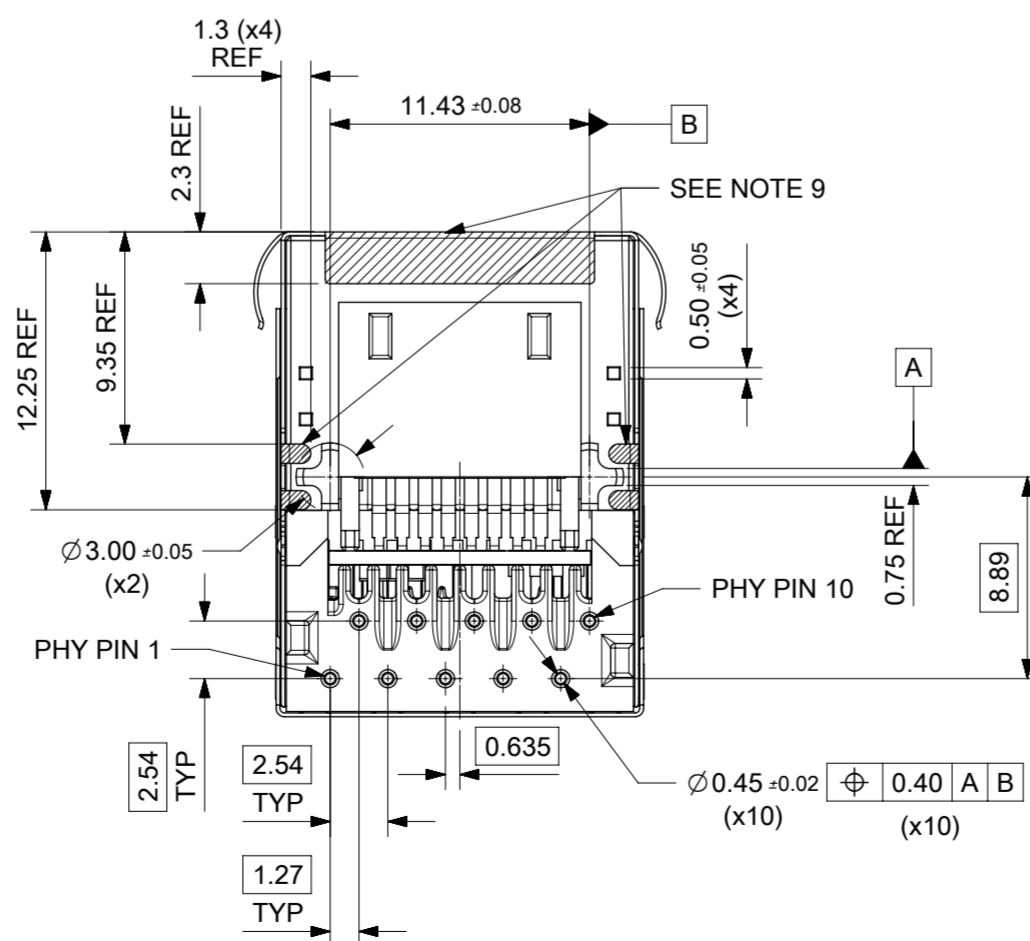
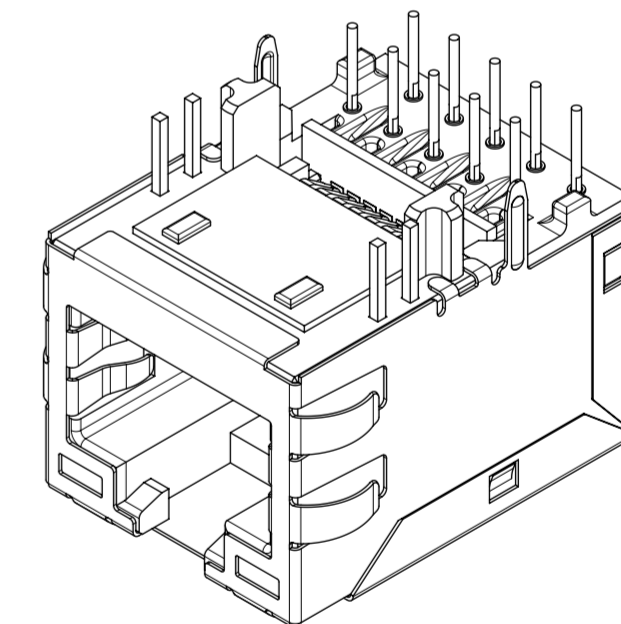
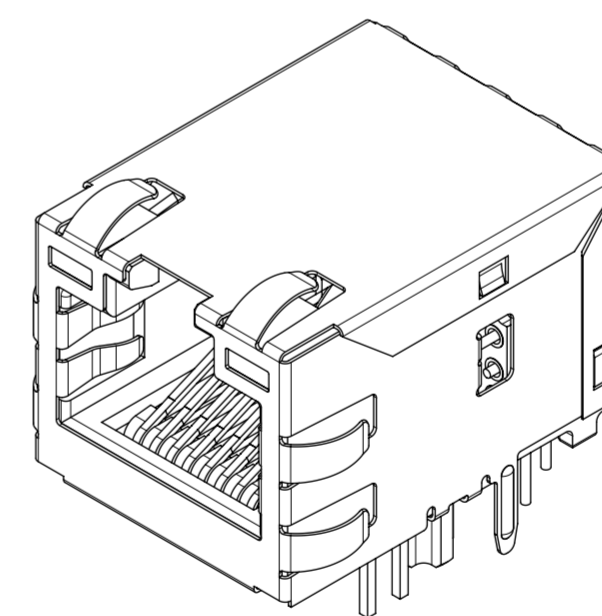
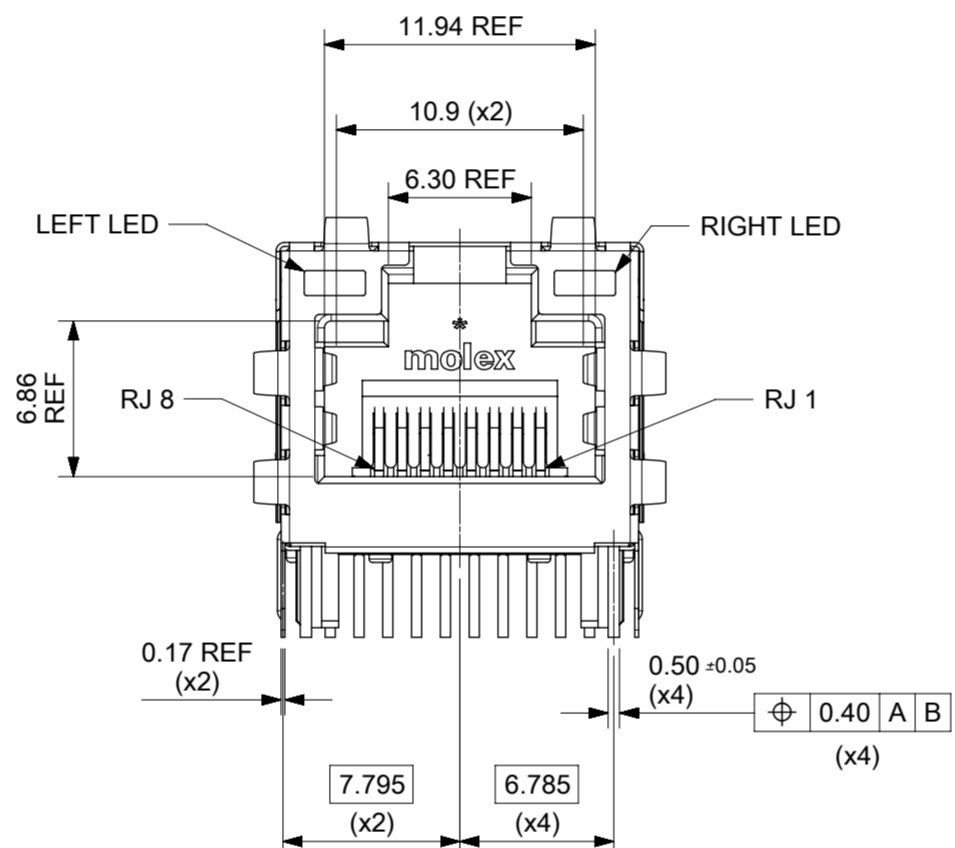
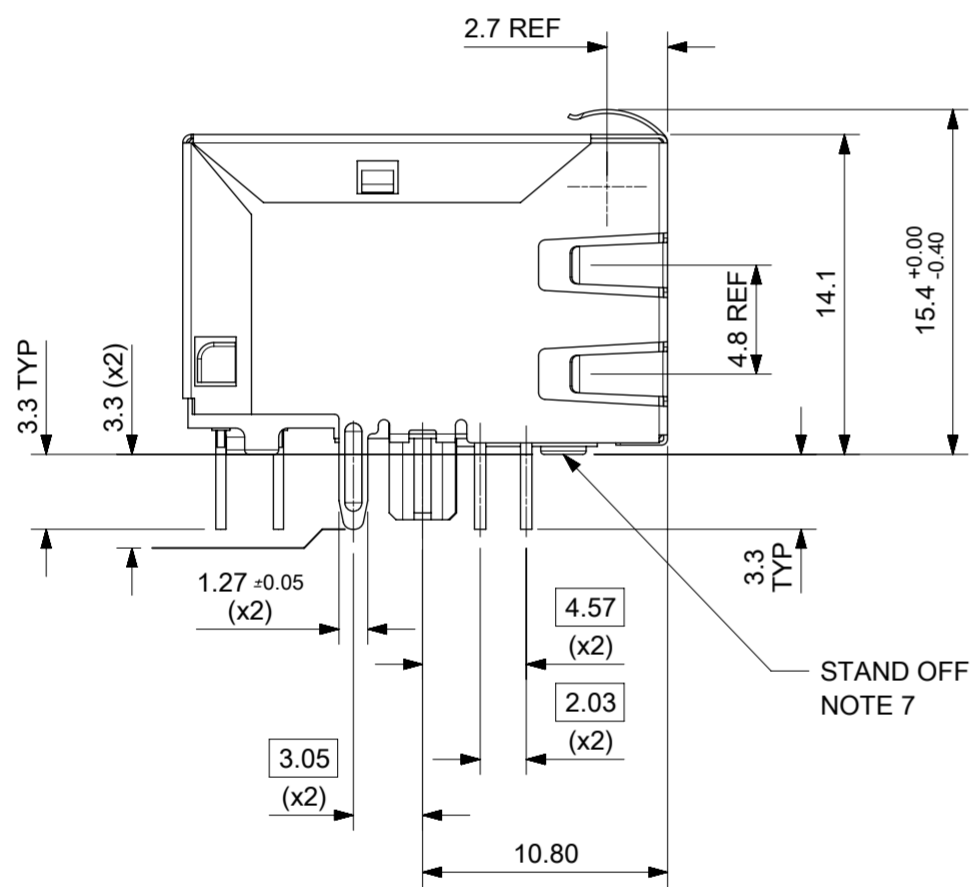
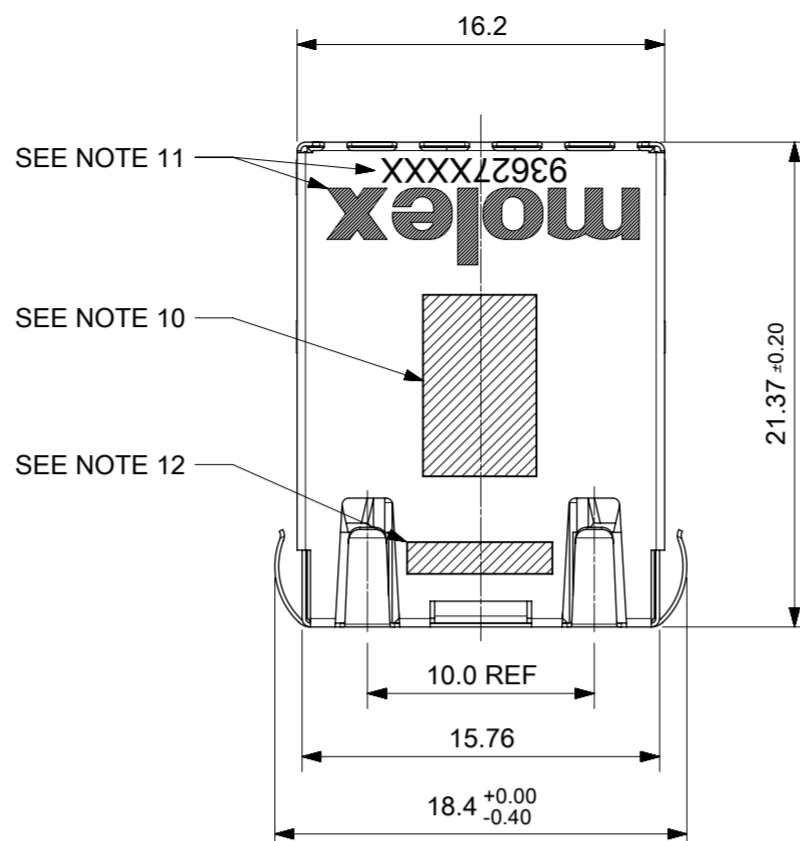
NOTES:

1. MATERIAL: PETA ANTISTATIC
2. THICKNESS: 0.9 mm ± 0.05 mm
3. COLOUR: CLEAR
4. BOW 2 mm MAXIMUM PER 330 mm
5. TWIST 2 mm MAXIMUM PER 330 mm
6. TRAY PART NO. AND RECYCLE LOGO TO BE CLEARLY MARKED ON TRAY  
RECYCLE LOGO SHOULD BE APPROPRIATE TO MATERIAL USED
7. WHERE RELEVANT, DIMENSIONS SHOULD BE SYMMETRICAL ABOUT THE CENTRELINE
8. GENERAL PROFILE TOLERANCE  $\overline{\cup}$  0.40 ON NON DIMENSIONED FEATURES

LAST INSPECTION NUMBER USED: 12

THIS DRAWING CONTAINS INFORMATION THAT IS PROPRIETARY TO MOLEX ELECTRONIC TECHNOLOGIES, LLC AND SHOULD NOT BE USED WITHOUT WRITTEN PERMISSION									
DIMENSION UNITS		SCALE		CURRENT REV DESC: REMOVED REFERENCE TO QUANTITY OF TRAYS PER STACK				<b>molex</b>	
mm		1:3							
GENERAL TOLERANCES (UNLESS SPECIFIED)				EC NO: 602124				MXMAG STANDARD AND INVERTED TRAY	
ANGULAR TOL ± 1.0°				DRWN: DSHEA		2018/09/07			
4 PLACES ±				CHK'D: DBYRNES		2019/01/25			
3 PLACES ±				APPR: DBYRNES		2019/01/25			
2 PLACES ± 0.2				INITIAL REVISION:				PRODUCT CUSTOMER DRAWING	
1 PLACE ± 0.5				DRWN: KREILLY		2016/05/06		DOCUMENT NUMBER	
0 PLACES ±				APPR: STGRIFFIN		2016/12/07		934620003	
DRAFT WHERE APPLICABLE MUST REMAIN WITHIN DIMENSIONS		THIRD ANGLE PROJECTION		DRAWING		SERIES		MATERIAL NUMBER	
				A3-SIZE		93462		990250150	
				CUSTOMER		GENERAL MARKET		SHEET NUMBER	
								1 OF 1	

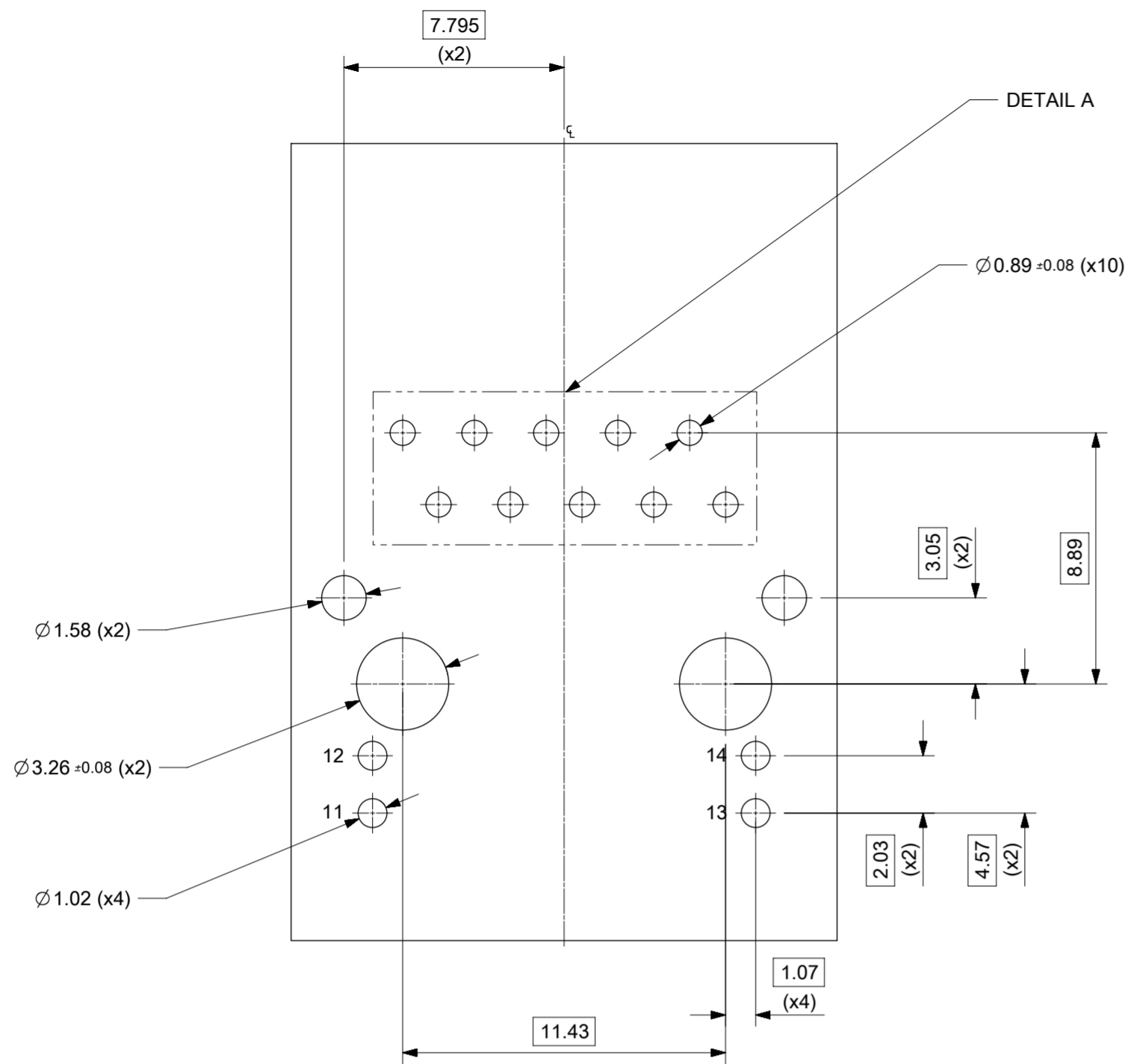
INVERTED PROFILE MAGNETIC JACK  
GIGABIT ETHERNET W/LED  
AND W/SHIELD TABS



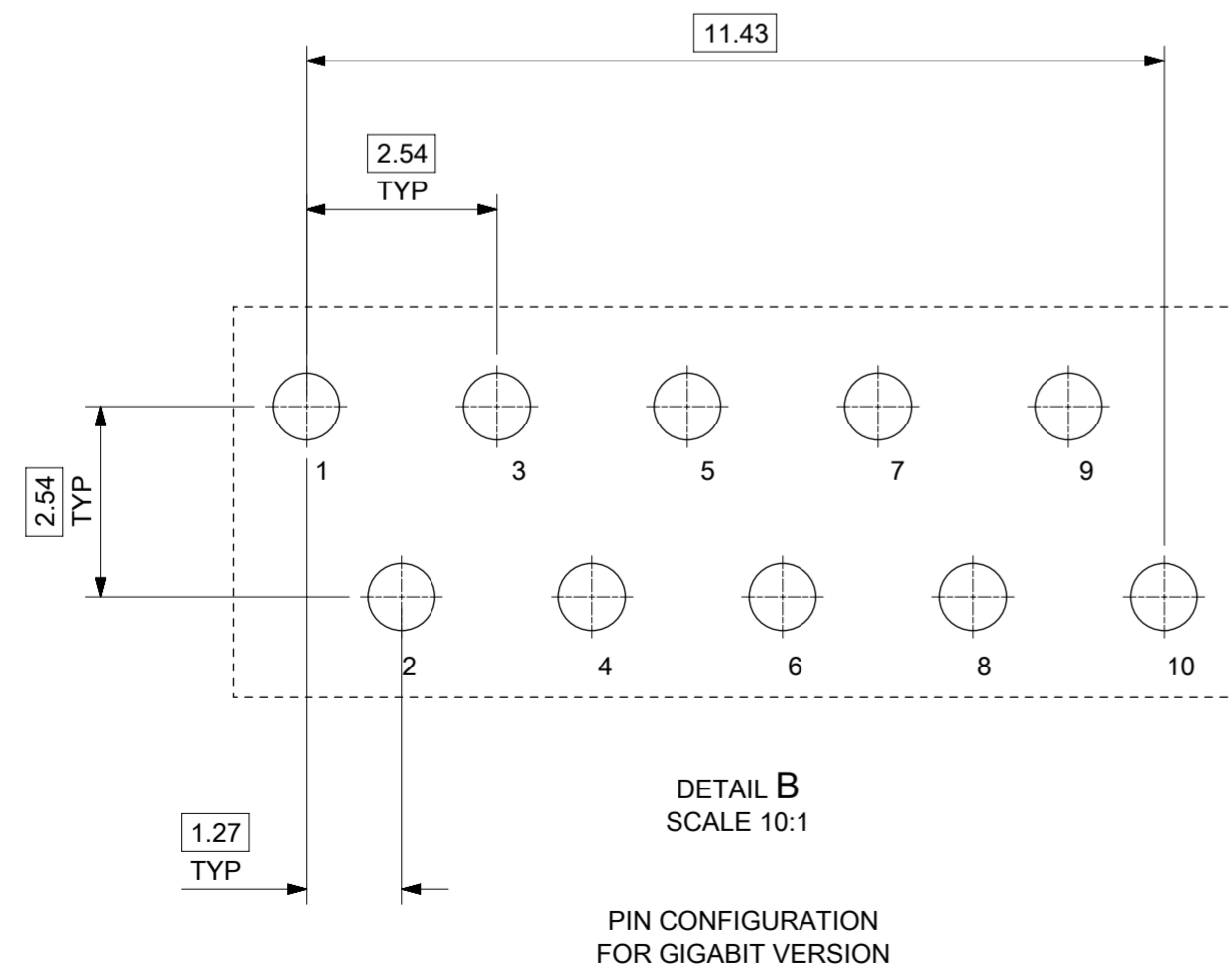
- NOTES:
- SHIELD MATERIAL: 0.17 mm THICK BRASS PRE-PLATED WITH NICKEL  
SOLDER TABS POST DIPPED WITH MIN 1.27 µm TIN
  - HOUSING MATERIAL: LCP, BLACK, UL 94V-0
  - TERMINALS MATERIAL: PHOSPHOR BRONZE  
RJ45 CONTACTS PLATING: BASE NICKEL PLATED WITH GOLD  
FLASH OVER PALLADIUM NICKEL. REFER TO 934620001 PSP  
PHY SOLDER TAILS: COPPER ALLOY
  - MATING INTERFACE ACCORDING TO IEC 60603-7 & TIA-1096-A
  - PRODUCT SPECIFICATION: 934620001 PSP
  - PACKAGING SPECIFICATION: 934620001 PSK TRAY
  - STAND OFF TO SYSTEM BOARD 0.30 mm MIN
  - RECOMMENDED PCB THICKNESS: 1.57 mm
  - SHIELD: AVOID ROUTING TRACES  
OR PLACING ANY VIAS BELOW THESE AREAS
  - AREA FOR PICK AND PLACE: 5.0 mm X 8.0 mm
  - INSCRIPTION MARKED BY LASER:  
1st : MOLEX  
2nd : P/N (SEE BOM)
  - INSCRIPTION MARKED BY LASER:  
DATE CODE(DAY/WEEK/YEAR)
  - MATERIAL COMPLIANT TO RoHS DIRECTIVE 2002/95/EC

SUGGESTED PANEL CUT-OUT

THIS DRAWING CONTAINS INFORMATION THAT IS PROPRIETARY TO MOLEX ELECTRONIC TECHNOLOGIES, LLC AND SHOULD NOT BE USED WITHOUT WRITTEN PERMISSION		GENERAL TOLERANCES (UNLESS SPECIFIED)		DIMENSION UNITS	SCALE	<b>molex</b>	
		mm		3:1	INV PRO MX MAG 8 CORE GIG W/LED W/EMI		
REVISED	2017/05/09	ANGULAR TOL ± 2.0 °		DRWN BY	DATE	PRODUCT CUSTOMER DRAWING	
	2017/09/12	4 PLACES ±	KREILLY	2015/08/31	SERIES MATERIAL NUMBER CUSTOMER		
	2017/09/26	3 PLACES ±	CHK'D BY	DATE	93627	SEE TABLE ON SHEET 2	GENERAL MARKET
	EC NO: 116686	2 PLACES ± 0.1	DBYRNES	2017/02/22	DOCUMENT NUMBER	DOC TYPE	DOC PART SHEET NUMBER
	DRWN: KREILLY	1 PLACE ± 0.2	APPR BY	DATE	936270003	PSD	000 1 OF 3
CHKD: DSHEA	0 PLACES ±	STGRIFFIN	2015/11/20				
APP: DBYRNES	DRAFT WHERE APPLICABLE MUST REMAIN WITHIN DIMENSIONS		DRAWING SIZE	THIRD ANGLE PROJECTION			
C		A2					

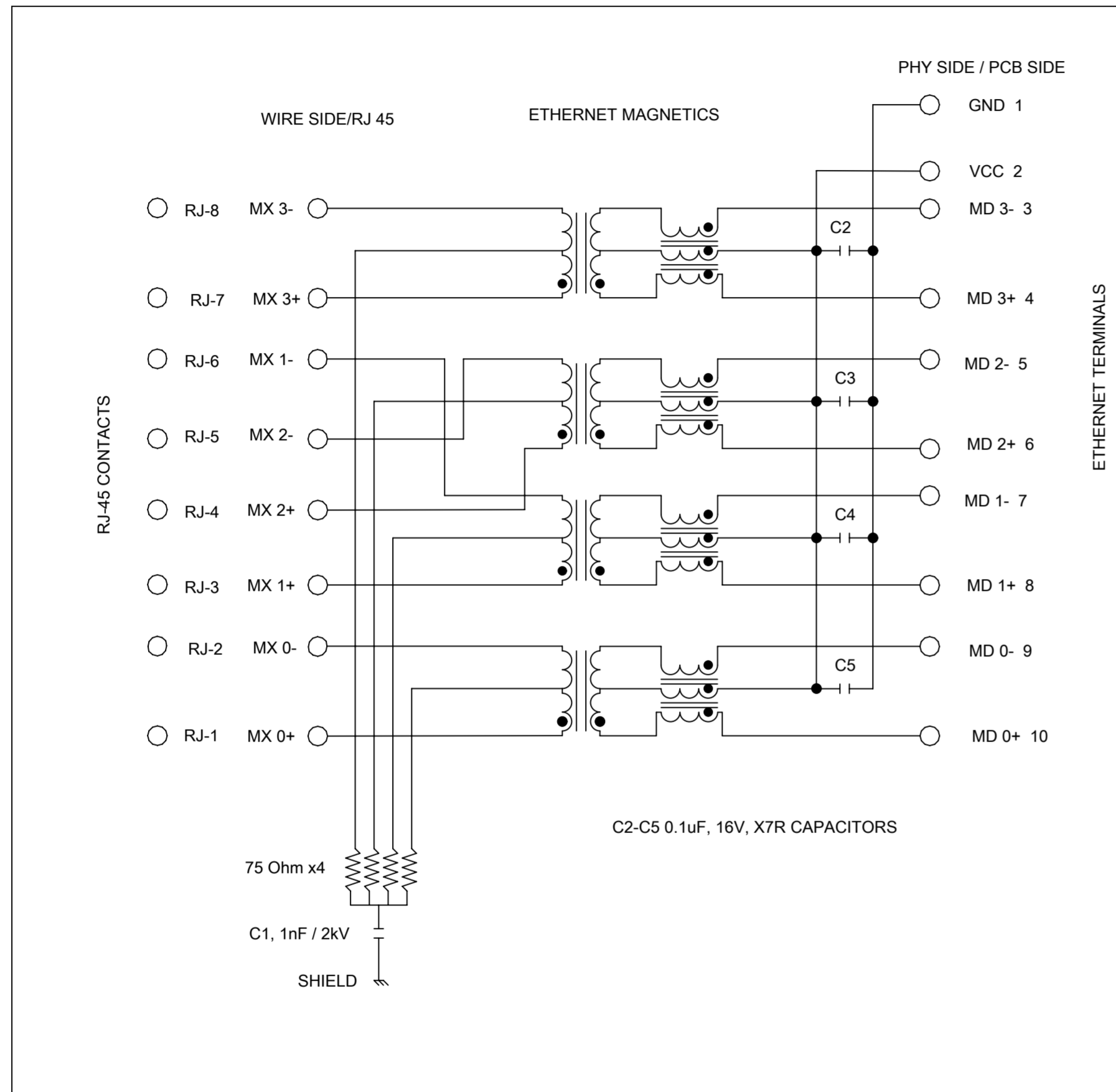


SUGGESTED BOARD LAYOUT  
GIGABIT VERSION  
COMPONENT SIDE  
ALL DIMS REFERENCE DIMS

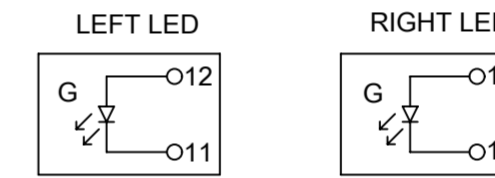


PART NUMBER	LEFT LED	RIGHT LED
93627-3601	GREEN	GREEN
93627-3606	GREEN	YELLOW
93627-3608	GREEN/YELLOW	GREEN/YELLOW

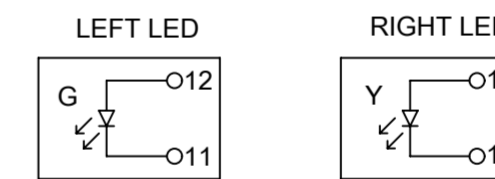
THIS DRAWING CONTAINS INFORMATION THAT IS PROPRIETARY TO MOLEX ELECTRONIC TECHNOLOGIES, LLC AND SHOULD NOT BE USED WITHOUT WRITTEN PERMISSION			
REVISED EC NO: 116686 DRWN: KREILLY CHKD: DSHEA REV APPR: DBYRNES	2017/05/09	2017/09/12	2017/09/26
	GENERAL TOLERANCES (UNLESS SPECIFIED)		DIMENSION UNITS
	ANGULAR TOL ± 2.0 °		mm
	4 PLACES ±		SCALE
	3 PLACES ±		5:1
2 PLACES ± 0.1		DRWN BY	DATE
1 PLACE ± 0.2		KREILLY	2015/08/31
0 PLACES ±		CHK'D BY	DATE
DRAFT WHERE APPLICABLE MUST REMAIN WITHIN DIMENSIONS		DBYRNES	2017/02/22
A2		APPR BY	DATE
A2		STGRIFFIN	2015/11/20
DRAWING SIZE		THIRD ANGLE PROJECTION	
A2			
C		<b>molex®</b> INV PRO MX MAG 8 CORE GIG W/LED W/EMI	
RELEASE STATUS		PRODUCT CUSTOMER DRAWING	
P1	RELEASE DATE	SERIES	MATERIAL NUMBER
P1	26.09.2017 10:55:49	93627	SEE TABLE
		CUSTOMER	GENERAL MARKET
		DOCUMENT NUMBER	DOC TYPE
		936270003	PSD
		DOC PART	SHEET NUMBER
		000	2 OF 3



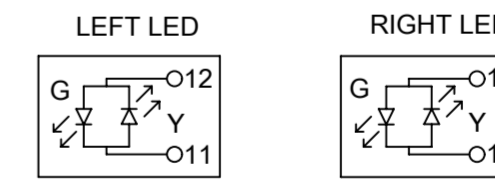
Description	Value	
OCL @100 kHz, 0.1 V 8 mA DC bias (0°C to +70°C)	350 μH min.	
Turns ratio	1CT:1CT	
Transmission characteristics @ 25°C, all four pairs		
Insertion Loss		
Frequency f, (MHz)	Limits (dB max.)	Typical Values (dB max.)
1.0-9.9	0.4+0.1*log(f)	0.5 @ 10 MHz
10-49.9	0.5+0.3*log(f/10)	0.7 @ 50 MHz
50-79.9	1+1.4*log(f/80)	1.0 @ 80 MHz
80-100	1.3+3*log(f/100)	1.3 @ 100 MHz
Return Loss		
Frequency f, (MHz)	Limits (dB min.)	Typical Values (dB min.)
1.0-39.9	18	18 @ 40 MHz
40-100	12-20*log(f/80)	10 @ 100 MHz
CMR		
Frequency f, (MHz)	Limits (dB min.)	Typical Values (dB min.)
1.0-100	30	30 @ 100 MHz
Next		
Frequency f, (MHz)	Limits (dB min.)	Typical Values (dB min.)
1.0-39.9	35	35 @ 40 MHz
40-100	33-20*log(f/50)	27 @ 100 MHz
Isolation PHY to wire side	2.25 kVDC/60sec	



93627-3601



93627-3606



BICOLOUR OPTION

BICOLOUR OPTION

93627-3608

THIS DRAWING CONTAINS INFORMATION THAT IS PROPRIETARY TO MOLEX ELECTRONIC TECHNOLOGIES, LLC AND SHOULD NOT BE USED WITHOUT WRITTEN PERMISSION										
REVISED	EC NO: 116686	2017/05/09	DRWN: KREILLY	2017/09/12	CHK'D: DSHEA	2017/09/26	REV: APPR: DBYRNES	GENERAL TOLERANCES (UNLESS SPECIFIED)	DIMENSION UNITS	SCALE
								mm	1:1	
								ANGULAR TOL ± 2.0 °	DRWN BY	DATE
								4 PLACES ±	KREILLY	2015/08/31
								3 PLACES ±	CHK'D BY	DATE
							2 PLACES ± 0.1	DBYRNES	2017/02/22	
							1 PLACE ± 0.2	APPR BY	DATE	
							0 PLACES ±	STGRIFFIN	2015/11/20	
							DRAFT WHERE APPLICABLE MUST REMAIN WITHIN DIMENSIONS	DRAWING SIZE	THIRD ANGLE PROJECTION	
							A2			
							<b>INV PRO MX MAG 8 CORE GIG W/LED W/EMI</b>			
			<b>PRODUCT CUSTOMER DRAWING</b>				SERIES	MATERIAL NUMBER	CUSTOMER	
							93627	SEE TABLE ON SHEET 2	GENERAL MARKET	
							DOCUMENT NUMBER	DOC TYPE	DOC PART	SHEET NUMBER
							936270003	PSD	000	3 OF 3