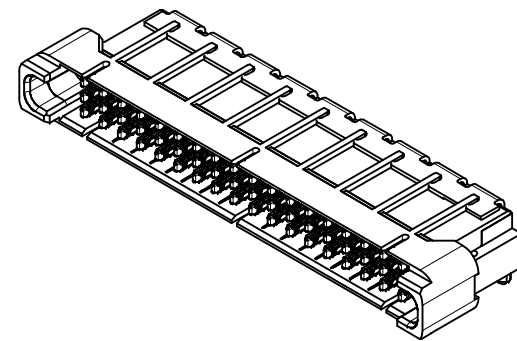


NOTES:

- 1) MATERIALS:
HOUSING - LIQUID CRYSTAL POLYMER, UL94 V-0
WAFER DIELECTRIC - LIQUID CRYSTAL POLYMER, UL94 V-0
CONTACT - COPPER ALLOY
CLIPS - STAINLESS STEEL
- 2) FINISHES: SEE SHEET 2
- 3) PRODUCT SPECIFICATION: THIS PART CONFORMS TO MOLEX SPECIFICATION PS-74148-0000.
- 4) PACKAGING SPECIFICATION: THIS PART TO BE PACKAGED PER SPECIFICATION PK-75020-030.
- 5) APPLICATION SPECIFICATION: THIS PART TO BE APPLIED PER SPECIFICATION AS-74148-0000. APPLICATION TOOL AND INSTRUCTIONS PER AS-74148-0000.
- 6) MATING INFORMATION
THIS PART MATES WITH 74149-XXXX.
WILL MATE WITH MAXIMUM 1.27mm MIS-ALIGNMENT.
WILL MATE WITH MAXIMUM 0.75° MIS-ALIGNMENT.
- 7) FOR CIRCUIT DESIGNATION SEE SHEET 3
- 8) FOR PCB INFORMATION SEE SHEET 3
- 9) APPLICATION TOOLING KEEP OUT AREA. NO COMPONENTS ALLOWED IN THIS AREA.
- 10) CONFORMS TO MOLEX COSMETIC SPECIFICATION PS-45499-002 AND PS-45499-003.
- 11) MARKING: PART NUMBER, MX, DDDY
- 12) RECOMMENDED DRILL SIZE 0.48±0.03 TO YIELD FINISHED PLATED THROUGH HOLE OF 0.39±0.05
- 13) HOLD DOWN SCREWS ARE RECOMMENDED FOR THIS CONNECTOR. REFERENCE MOLEX DOCUMENT AS-74148-0000 SECTION 4.5.
- 14) GENERAL TOLERANCES DO NOT APPLY TO REFERENCE DIMENSIONS.



DIM. UPDATE EC NO: UCP2017-1140 DRAWINGS 2016/11/17 CHKD: APPR:DMCGOWAN 2017/01/09 REV:	QUALITY SYMBOLS	SEE NOTE 14 REGARDING REFERENCE DIMENSIONS	GENERAL TOLERANCES (UNLESS SPECIFIED)		DIMENSION STYLE	SCALE	DESIGN UNITS	THIRD ANGLE PROJECTION		
	▽=0	GENERAL TOLERANCES (UNLESS SPECIFIED)	mm	INCH	MM/IN	2:1	METRIC	TITLED		
	▽=0	4 PLACES ± --- ± ---			DRAWN BY	DATE	HS DOCK+ FIXED CONNECTOR			
	▽=0	3 PLACES ± --- ± .005			MPOFF	2012/09/17				
	2 PLACES ± 0.13 ± .01			CHECKED BY	DATE					
	1 PLACE ± 0.25 ± ---			TIBARRA	2012/09/17					
	0 PLACE ± ±			APPROVED BY	DATE	DOCUMENT NO.		SHEET NO.		
		ANGULAR ±1/2°	DRAFT WHERE APPLICABLE MUST REMAIN WITHIN DIMENSIONS		SMILLER	2012/10/01	SD-74148-0001		1 OF 5	
			THIS DRAWING CONTAINS INFORMATION THAT IS PROPRIETARY TO MOLEX INCORPORATED AND SHOULD NOT BE USED WITHOUT WRITTEN PERMISSION							

ITEM NUMBER	CIRCUT SIZE	NO. OF COLUMNS 'N'	CENTERLINE DIMENSION 'A' mm(in)	O/A HEIGHT DIMENSION 'B' mm(in)	O/A LENGTH DIMENSION 'C' mm(in)	PEG TO PEG DIMENSION 'D' mm(in)	FIRST-LAST SIGNAL DIMENSION 'E' mm(in)	FIRST-LAST GROUND DIMENSION 'F' mm(in)	O/A LENGTH DIMENSION 'G' mm(in)	PLATING FINISH	HOUSING FINISH	GROUND OPTION
74148-1001	144	24	4.74 (.187)	9.78 (.385)	96.50 (3.799)	86.51 (3.406)	82.00 (3.228)	77.00 (3.031)	86.10 (3.389)	OPTION 1	NICKEL	2 TAIL
74148-1101	144	24	4.74 (.187)	9.78 (.385)	96.50 (3.799)	86.51 (3.406)	82.00 (3.228)	77.00 (3.031)	86.10 (3.389)	OPTION 1	NICKEL	3 TAIL
74148-3001	144	24	4.74 (.187)	9.78 (.385)	96.50 (3.799)	86.51 (3.406)	82.00 (3.228)	77.00 (3.031)	86.10 (3.389)	OPTION 2	GOLD	2 TAIL
74148-3101	144	24	4.74 (.187)	9.78 (.385)	96.50 (3.799)	86.51 (3.406)	82.00 (3.228)	77.00 (3.031)	86.10 (3.389)	OPTION 2	GOLD	3 TAIL
74148-4202	108	18	4.74 (.187)	9.78 (.385)	75.50 (2.972)	65.51 (2.579)	61.00 (2.402)	56.00 (2.205)	65.10 (2.562)	OPTION 1	NICKEL	2 TAIL
74148-4102	108	18	4.74 (.187)	9.78 (.385)	75.50 (2.972)	65.51 (2.579)	61.00 (2.402)	56.00 (2.205)	65.10 (2.562)	OPTION 1	NICKEL	3 TAIL
74148-5202	108	18	4.74 (.187)	9.78 (.385)	75.50 (2.972)	65.51 (2.579)	61.00 (2.402)	56.00 (2.205)	65.10 (2.562)	OPTION 2	GOLD	2 TAIL
74148-5102	108	18	4.74 (.187)	9.78 (.385)	75.50 (2.972)	65.51 (2.579)	61.00 (2.402)	56.00 (2.205)	65.10 (2.562)	OPTION 2	GOLD	3 TAIL

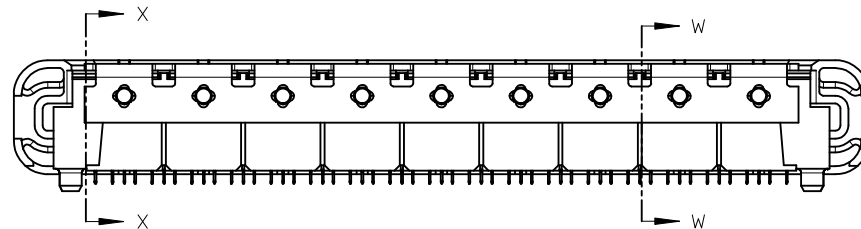
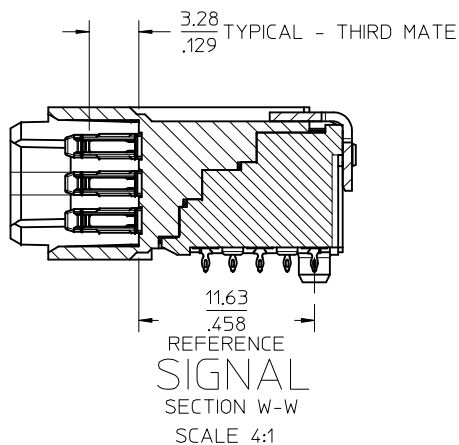
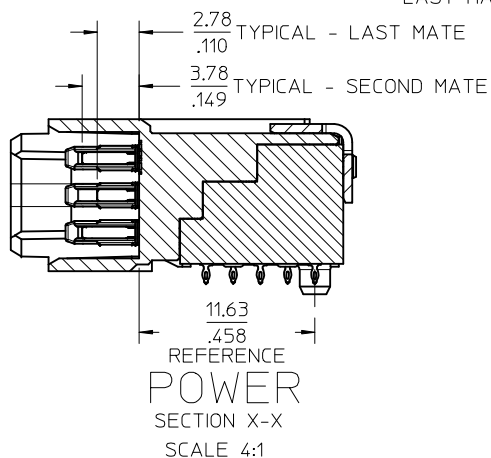
NOMINAL WIPE - FULL SEATED

FIRST MATE: 7.2mm

SECOND MATE: 2.4mm

THIRD MATE: 1.9mm

LAST MATE: 1.4mm



FINISHES:
OPTION 1

CONTACT INTERFACE
0.76 MICROMETER MINIMUM SELECT GOLD
1.27 MICROMETER MINIMUM NICKEL OVERALL

COMPLIANT INTERFACE
0.76 MICROMETER MINIMUM SELECT TIN OVER
1.27 MICROMETER MINIMUM NICKEL OVERALL

HOUSING
3.81 MICROMETER MINIMUM HIGH PHOS NICKEL OVER
3.81 MICROMETER MINIMUM COPPER OVERALL

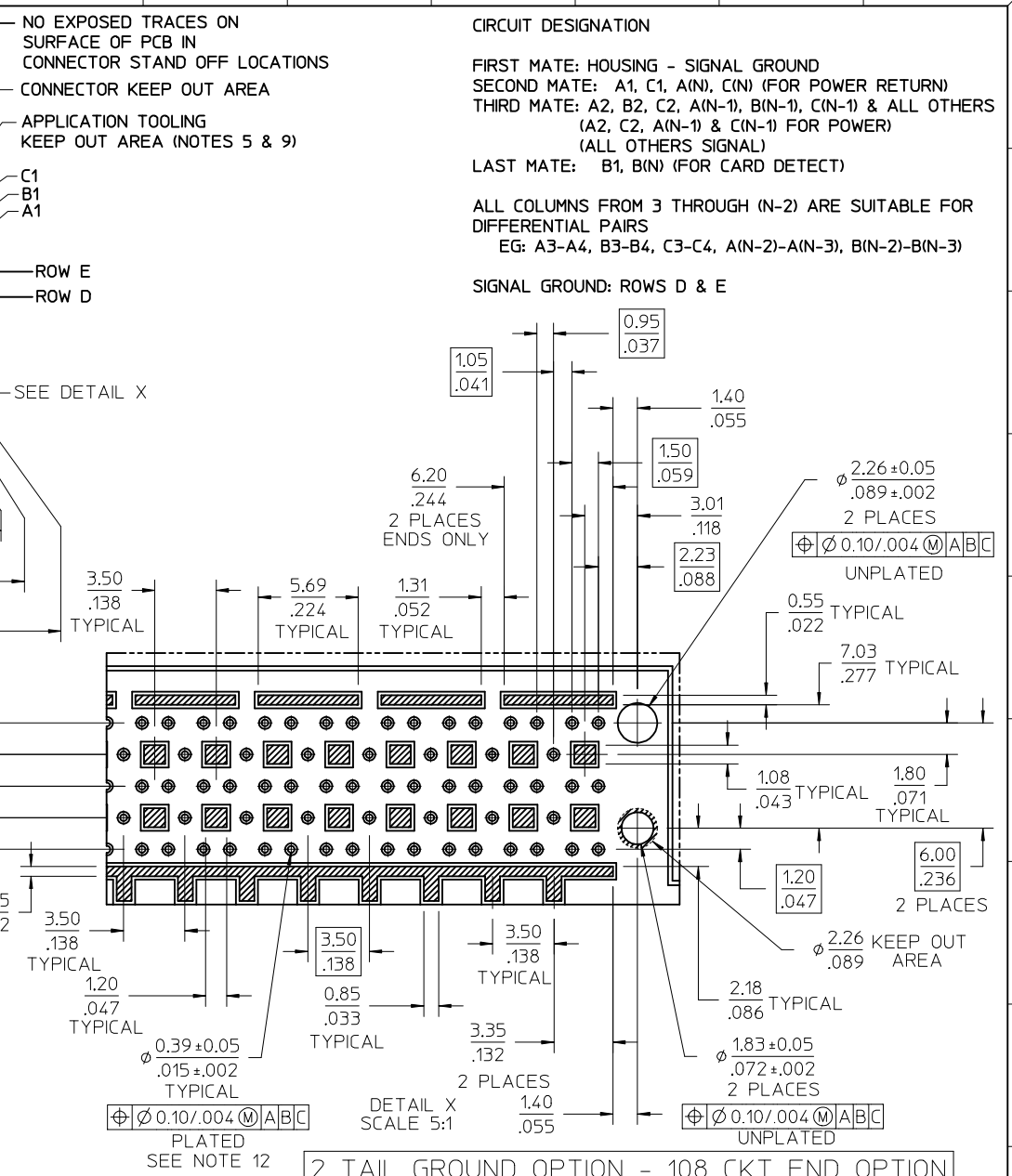
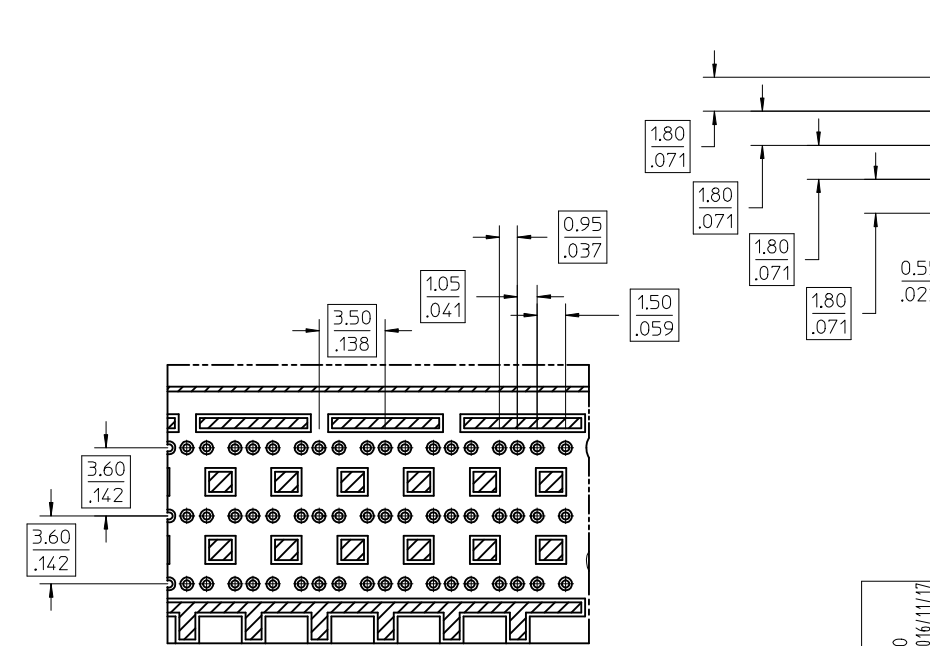
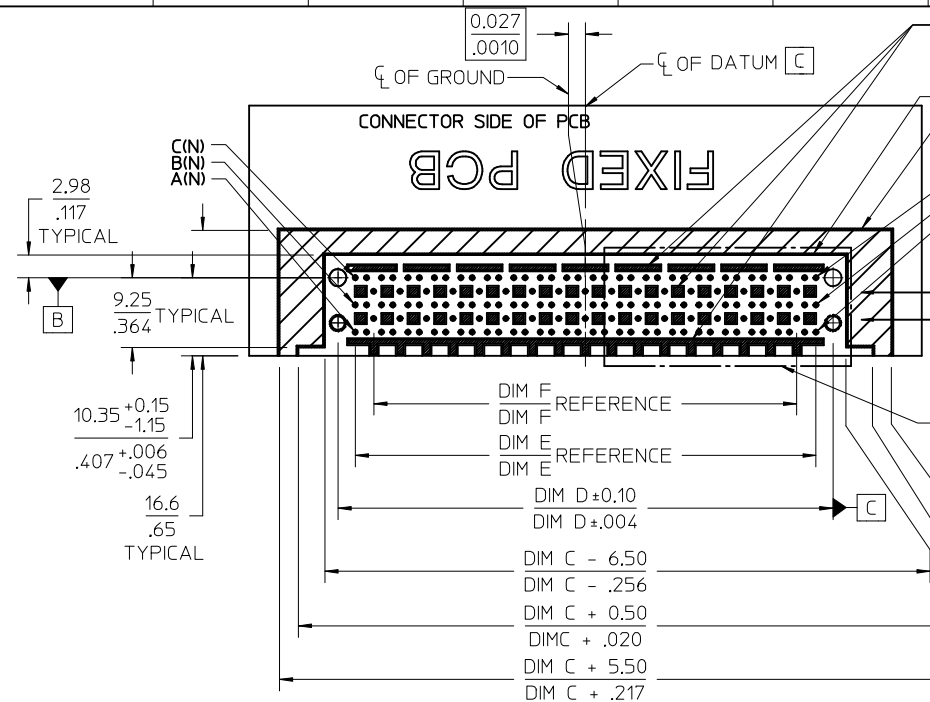
OPTION 2

CONTACT INTERFACE
0.76 MICROMETER MINIMUM SELECT GOLD
1.27 MICROMETER MINIMUM NICKEL OVERALL

COMPLIANT INTERFACE
0.76 MICROMETER MINIMUM SELECT TIN OVER
1.27 MICROMETER MINIMUM NICKEL OVERALL

HOUSING
0.10 MICROMETER MAXIMUM IMMERSION GOLD
3.81 MICROMETER MINIMUM HIGH PHOS NICKEL OVER
3.81 MICROMETER MINIMUM COPPER OVERALL

SEE SHEET 1 EC NO: UCP2017-1140 DRAWINGS 2016/11/17 CHKD: CHKD: APPR:DMCGOWAN 2017/01/09 G2	QUALITY SYMBOLS	GENERAL TOLERANCES (UNLESS SPECIFIED)	DIMENSION STYLE	SCALE	DESIGN UNITS	THIRD ANGLE PROJECTION
	▽=0	mm INCH	MM/IN	3:1	METRIC	
	▽=0	4 PLACES ± --- ± ---	DRAWN BY DATE	HS DOCK+ FIXED CONNECTOR		
	▽=0	3 PLACES ± --- ±.005	MPOFF 2012/09/17			
▽=0	2 PLACES ±0.13 ±.01	CHECKED BY DATE	molex			
	1 PLACE ±0.25 ± ---	TIBARRA 2012/09/17				
	0 PLACE ± ±	APPROVED BY DATE	DOCUMENT NO. SD-74148-0001 SHEET NO. 2 OF 5			
		SMILLER 2012/10/01				
		ANGULAR ±1/2°	MATERIAL NO. SEE TABLE			
		DRAFT WHERE APPLICABLE MUST REMAIN WITHIN DIMENSIONS	THIS DRAWING CONTAINS INFORMATION THAT IS PROPRIETARY TO MOLEX INCORPORATED AND SHOULD NOT BE USED WITHOUT WRITTEN PERMISSION			



Partial2
SCALE 5:1
3 TAIL GROUND OPTION

SEE SHEET 1 EC NO: UCP2017-1140 DRAWINGS 2016/11/17 CHKD: APPR:DMCGOMAN 2017/01/09 REV: G2	QUALITY SYMBOLS	GENERAL TOLERANCES (UNLESS SPECIFIED)	DIMENSION STYLE	SCALE	DESIGN UNITS	THIRD ANGLE PROJECTION
	▽=0	mm INCH	MM/IN	2:1	METRIC	☉
	▽=0	4 PLACES ± --- ± ---	DRAWN BY DATE	TITLE		
	▽=0	3 PLACES ± --- ± .005	MPOFF 2012/09/17	HS DOCK+ FIXED CONNECTOR		
		2 PLACES ± 0.13 ± .01	CHECKED BY DATE			
		1 PLACE ± 0.25 ± ---	TIBARRA 2012/09/17			
		0 PLACE ± ±	APPROVED BY DATE			
			SMILLER 2012/10/01			
		ANGULAR ±1/2°	MATERIAL NO.	DOCUMENT NO.		
		DRAFT WHERE APPLICABLE MUST REMAIN WITHIN DIMENSIONS	SEE TABLE	SD-74148-0001		
			SIZE C			
			THIS DRAWING CONTAINS INFORMATION THAT IS PROPRIETARY TO MOLEX INCORPORATED AND SHOULD NOT BE USED WITHOUT WRITTEN PERMISSION			

0.020
.0008
CL OF GROUND
CL OF DATUM [C]

NO EXPOSED TRACES ON SURFACE OF PCB IN CONNECTOR STAND OFF LOCATIONS

CONNECTOR KEEP OUT AREA

APPLICATION TOOLING KEEP OUT AREA (NOTES 5 & 9 ON PAGE 1)

FIXED PCB

2.98
.117
TYPICAL

9.25
.364
TYPICAL

10.35 +0.15
-1.15
4.07 +0.06
-0.045

16.62
.654
TYPICAL

DIM F REFERENCE
DIM F REFERENCE

DIM E REFERENCE
DIM E REFERENCE

DIM D ±0.10
DIM D ±0.04

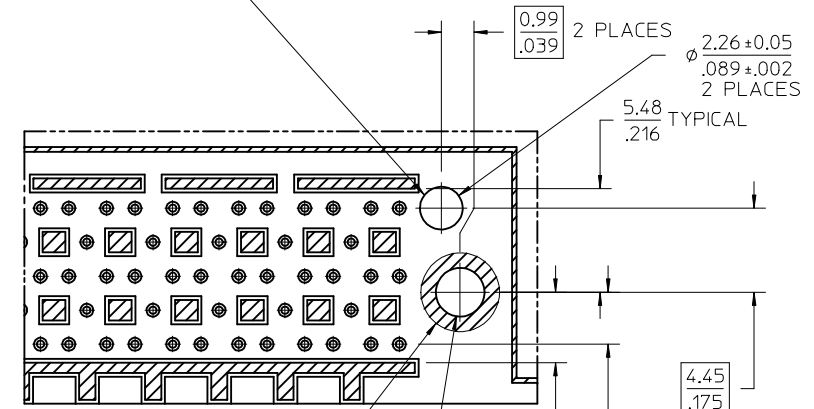
DIM C -2.50
DIM C -.098

DIM C +0.50
DIM C +0.020

DIM C +5.50
DIM C +.217

SEE DETAIL Z

SIGNAL TAIL AND GROUND TAIL DIMENSIONS ARE BASED OFF OF THE HOLE THAT IS FOR THE ASSEMBLY PEG - SEE NOTE 1



DETAIL Z
SCALE 5:1

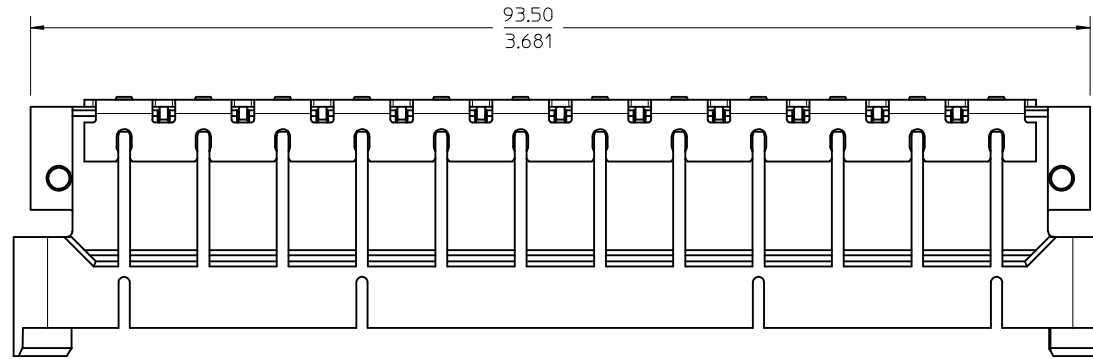
- NOTES
- SEE SHEET 3 FOR CIRCUIT DESIGNATION
 - ALL SIGNAL TAIL AND 2 TAIL / 3 TAIL GROUND DIMENSIONS ARE COMMUNICATED ON PAGE 3

144 CKT END OPTION
HOLD DOWN

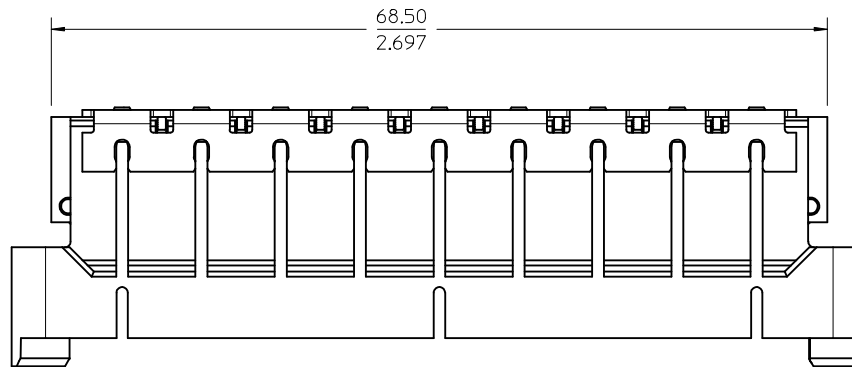
SEE SHEET 1 EC NO: UCP2017-1140 DRAWINGS 2016/11/17 CHKD: APPR:DMCGOWAN 2017/01/09	QUALITY SYMBOLS	GENERAL TOLERANCES (UNLESS SPECIFIED)	DIMENSION STYLE	SCALE	DESIGN UNITS	THIRD ANGLE PROJECTION
	▽=0	mm INCH	MM/IN	2:1	METRIC	
	▽=0	4 PLACES ± --- ± ---	DRAWN BY DATE	TITLE		
	▽=0	3 PLACES ± --- ± .005	MPOFF 2012/09/17	HS DOCK+ FIXED CONNECTOR		
	2 PLACES ± 0.13 ± .01	CHECKED BY DATE	molex			
	1 PLACE ± 0.25 ± ---	TIBARRA 2012/09/17	SD-74148-0001			
	0 PLACE ± ±	APPROVED BY DATE	4 OF 5			
		SMILLER 2012/10/01	THIS DRAWING CONTAINS INFORMATION THAT IS PROPRIETARY TO MOLEX INCORPORATED AND SHOULD NOT BE USED WITHOUT WRITTEN PERMISSION			
			DOCUMENT NO.			
			SIZE			
			C			

HOUSING SHROUD SLOT CONFIGURATION

144 CIRCUIT



108 CIRCUIT



SEE SHEET 1 EC NO: UCP2017-1140 2016/11/17 DRWNGES CHKD: APPR:DMCGOWAN 2017/01/09 REV:	QUALITY SYMBOLS	GENERAL TOLERANCES (UNLESS SPECIFIED)		DIMENSION STYLE MM/IN		SCALE 3:1	DESIGN UNITS METRIC	THIRD ANGLE PROJECTION	
	▽=0	mm	INCH	DRAWN BY	DATE	TITLE HS DOCK+ FIXED CONNECTOR			
	▽=0	4 PLACES ± ---	± ---	MPOFF	2012/09/17				
	▽=0	3 PLACES ± ---	± .005	CHECKED BY	DATE	DOCUMENT NO. SD-74148-0001			
▽=0	2 PLACES ± 0.13	± .01	TIBARRA	2012/09/17					
	1 PLACE ± 0.25	± ---	APPROVED BY	DATE	MATERIAL NO. SEE TABLE				
	0 PLACE ±	±	SMILLER	2012/10/01					
		ANGULAR ±1/2°		SIZE		THIS DRAWING CONTAINS INFORMATION THAT IS PROPRIETARY TO MOLEX INCORPORATED AND SHOULD NOT BE USED WITHOUT WRITTEN PERMISSION			
		DRAFT WHERE APPLICABLE MUST REMAIN WITHIN DIMENSIONS		C					