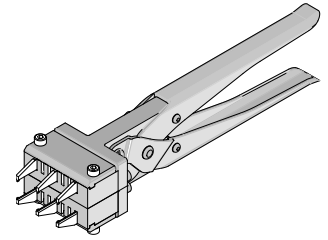


**Order Number**  
**62100-7750**



**Application Tooling Specification**



**FEATURES**

- A pliers-type tool used for extracting the receptacle housing
- For receptacle terminal extraction, use tool 62100-7900

**SCOPE**

**Products:** Ten60 7.5mm Vertical Receptacle Power Module Assemblies, 46742 series.

| Series Number | Type                 | Receptacle Order Number |            |            |            |            |
|---------------|----------------------|-------------------------|------------|------------|------------|------------|
| 46742         | Standard             | 46742-0002              | 46742-0003 | 46742-0004 | 46742-0005 | 46742-0006 |
|               | Upper Right Guide    | 46742-1002              | 46742-1003 | 46742-1004 | 46742-1005 | 46742-3006 |
|               | Upper Left Guide     | 46742-2002              | 46742-2003 | 46742-2004 | 46742-2005 | 46742-2006 |
|               | With Voided Circuits | 46742-0204              | 46742-0205 | 46742-0306 | 46742-1006 | 46742-0606 |
|               |                      | 46742-1205              | 46742-6506 | 46742-4003 | 46742-3003 |            |

**DESCRIPTION**

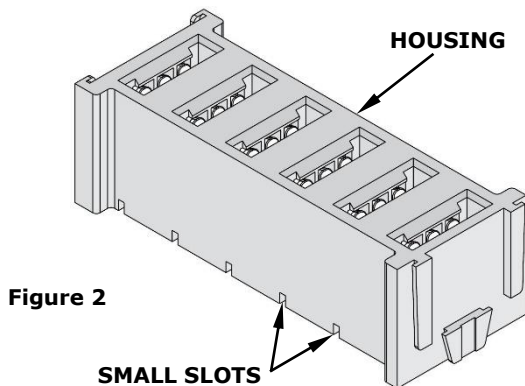
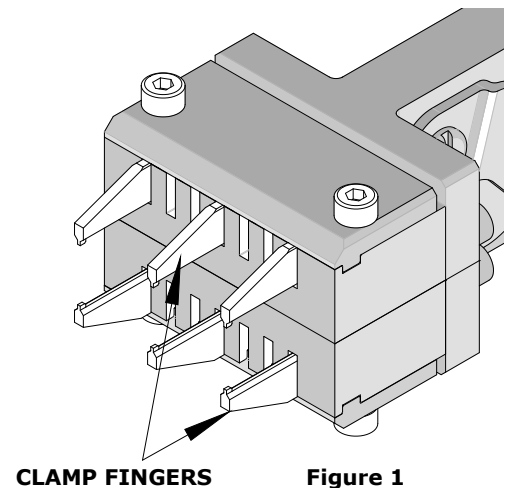
The 62100-7750 Ten60 Vertical Receptacle Housing Extraction Tool is a simple pliers-type tool for extracting a receptacle housing from a printed circuit board.

The tool is approximately 225mm (8.9") long by 44mm (1.7") wide (closed) by 65mm (2.6") thick and weighs 1 kg (2.2 lb.).

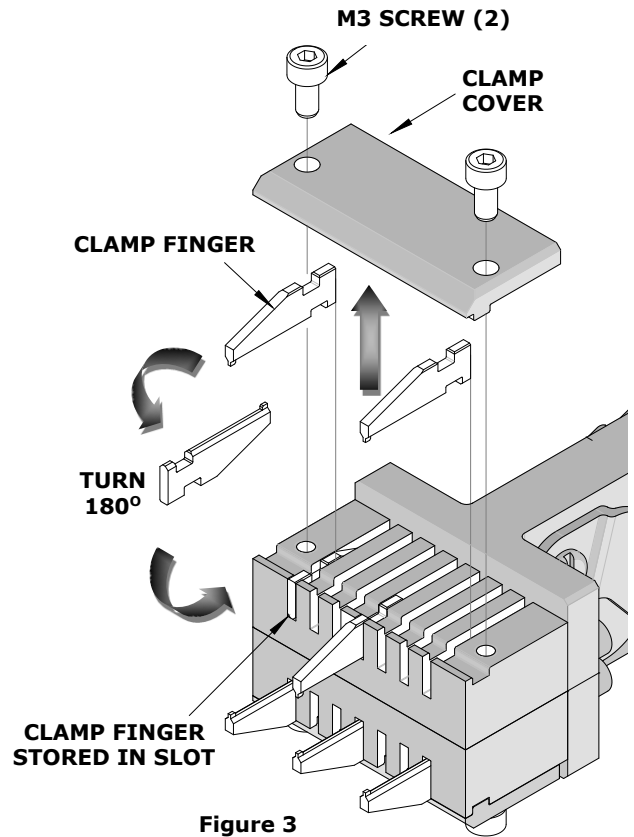
**SETUP**

The extraction tool can extract receptacle housings from 2 to 6 circuits. A full set of housing clamp fingers is mounted in the tool jaws. See Figure 1.

Determine which housing is to be extracted, and then count the small slots at the base of the housing. The clamp fingers engage these slots to extract the housing. See Figure 2.

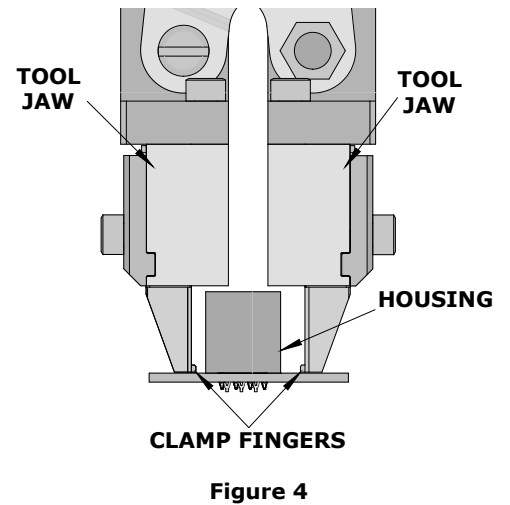


1. Use a 3mm hex wrench to remove the M3 screws holding the clamp cover on the tool jaw.
2. Remove the unused clamp finger, turn it over and store it in the slot.
3. Repeat this process for the other unused clamp fingers.
4. Replace the clamp cover and tighten the M3 screws. See Figure 3.



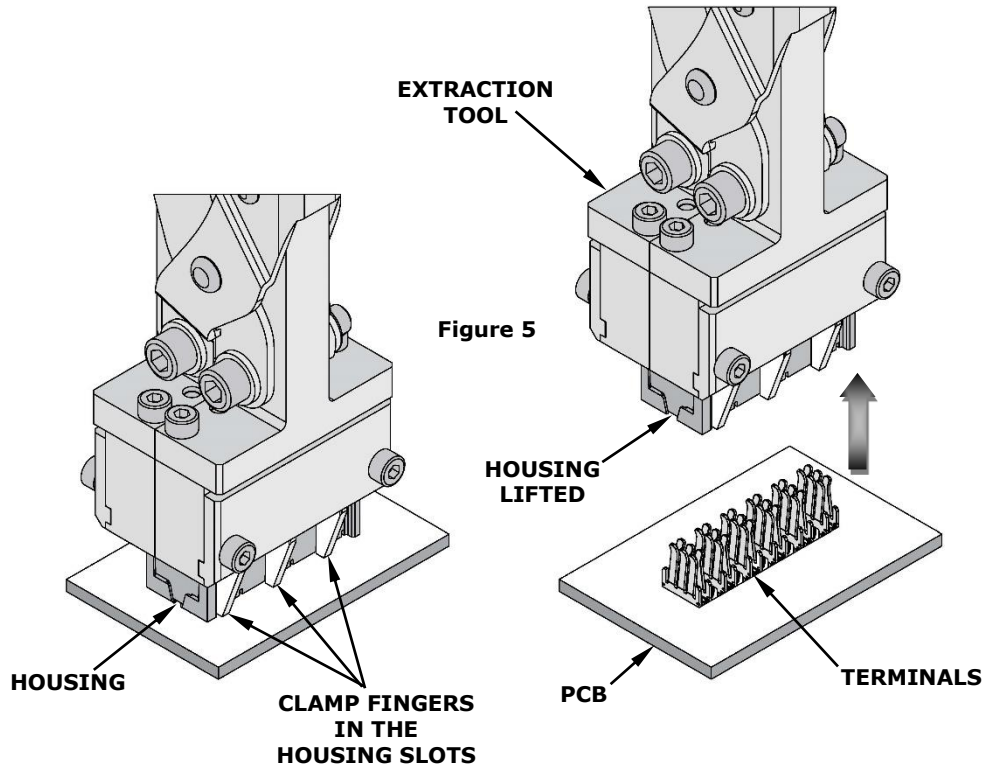
## OPERATION

1. Open the tool jaws slightly wider than the receptacle housing.
2. Position the tips of the clamp fingers in line with the small slots at the base of the housing. See Figure 4.
3. Close the tool jaws. Make sure the tips of the clamp fingers enter the slots.



## Ten60 Vertical Receptacle Housing Extraction Tool

4. While holding the jaws closed, slightly rock the tool back and forth. Pull up to remove the housing. See Figure 5.
5. Use tool 62100-7900 to extract the terminals that remain in the PCB.



## MAINTENANCE

It is recommended that each operator of the tool be made aware of and responsible for the following maintenance steps:

1. Remove dust, moisture and other contaminants with a clean brush or a soft, lint-free cloth.
2. Do not use any abrasive materials that could damage the tool.
3. Make certain all pins, pivot points and bearing surfaces are protected with a thin coat of high-quality machine oil. Do not oil excessively.
4. When the tool is not in use, store it in a clean, dry area.
5. There are no repair parts available for this tool. Should the tool be damaged, a new tool is required.

**Caution:** Molex specifications are valid only when used with Molex connectors and tooling.

### Application Tooling Support

**Phone:** (402) 458-TOOL (8665)  
**E-Mail:** applicationtooling@molex.com  
**Website:** www.molex.com/applicationtooling

Molex is a registered trademark of Molex, LLC in the United States of America and may be registered in other countries; all other trademarks listed herein belong to their respective owners.