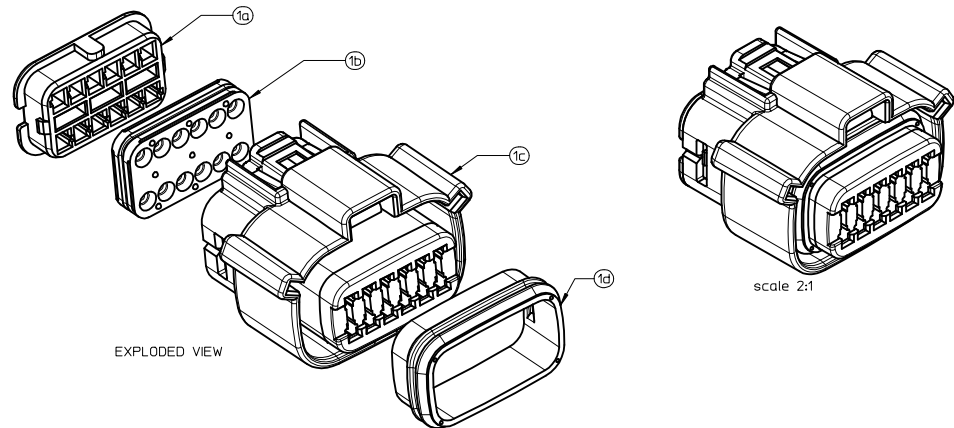


NOTE: GROMMET CAP LOCK SHOULD PROPERLY ENGAGE WITH HOUSING SLOT



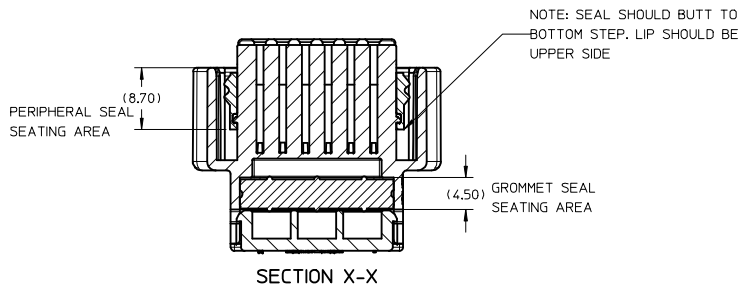
scale 2:1

TABLE-A

RECEPTACLE ASSEMBLY						
SL #	ASSEMBLY PART #	PART #	PART DESCRIPTION	QTY	MATERIAL	COLOR
1	367830002	1a	GROMMET CAP	1	NYLON-GF	---
		1b	GROMMET SEAL	1	SILICON RUBBER	LIGHT BLUE
		1c	RECEPTACLE HOUSING	1	NYLON-GF	---
		1d	RING SEAL	1	SILICON RUBBER	RUST RED

NOTES:

- MATES WITH HEADER ASSEMBLY PART #36783-0001.
- USE WITH RECEPTACLE TERMINAL PART #S 36783-0003 AND 36783-0004.
- PACKAGE SPECIFICATION AS PER PK-36783-002.
- SHALL CONFORM TO PRODUCT SPECIFICATION PS-36783-001.
- MANUFACTURING DATE CODE WILL BE IDENTIFIED ON BAR CODE LABEL SHIPPED AGAINST EACH ORDER. PARTS WILL BE TRACED AGAINST THIS.
- FEMALE TERMINAL TO BE CRIMPED AND INSERTED INTO RECEPTACLE HOUSING.
- ALL DIMENSIONS SHOWN ARE APPLICABLE AS RECEIVED INTO CUSTOMER PLACE.
- MOLEX OWNS RESPONSIBILITY AS SHIPPED FROM MOLEX. ASSEMBLY OF RECEPTACLE ON TO CONTROL UNIT ALONG WITH IT'S FUNCTIONALITY COMES UNDER CUSTOMER SCOPE.



NOTE: SEAL SHOULD BUTT TO BOTTOM STEP. LIP SHOULD BE UPPER SIDE

ENTER DESCRIPTION EC NO: 12013-0193 DRW N: HR/MAKRI/SHNA/2013/06/10 CHKD: CHIKO APPR: KPRASAD 2013/06/11	QUALITY SYMBOLS ∇=0 ∇=0 ∇=0	GENERAL TOLERANCES (UNLESS SPECIFIED)		DIMENSION STYLE MM ONLY	SCALE 2:1	DESIGN UNITS METRIC	THIRD ANGLE PROJECTION		
		4 PLACES ± --- ± --- 3 PLACES ± --- ± --- 2 PLACES ± --- ± --- 1 PLACE ± --- ± ---	mm INCH	DRAWN BY DATE VUTTARKAR 2011/07/29	CHECKED BY DATE	APPROVED BY DATE KPRASAD 2011/08/01	MATERIAL NO.	DOCUMENT NO.	SHEET NO.
		DRAFT WHERE APPLICABLE MUST REMAIN WITHIN DIMENSIONS		SEE TABLE-A	THIS DRAWING CONTAINS INFORMATION THAT IS PROPRIETARY TO MOLEX INCORPORATED AND SHOULD NOT BE USED WITHOUT WRITTEN PERMISSION	MOLEX INCORPORATED	SD-36783-002	1 OF 1	
		12 CKT RECEPTACLE ASSY 1.2 MM SEALED CONNECTOR SYSTEM							