

Part Change Notification Number:
TGEANA_PCN_0075

sales@tglobaltechnology.com

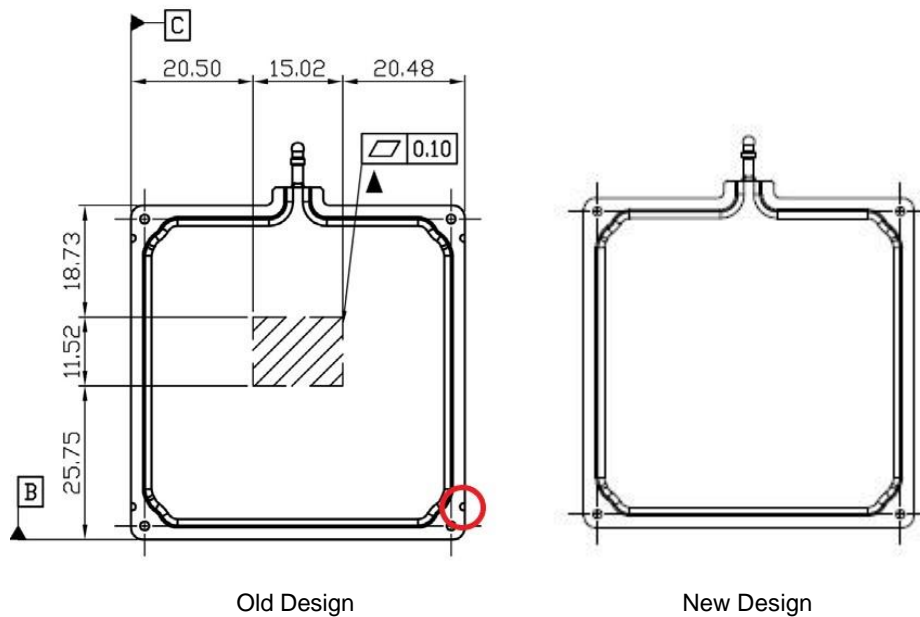
t: +44 (0)1455 553 510

Date: 22nd July 2022

Part Affected: TGVC-56-56-3.0-01 (Digikey part number 1168-TGVC-56-56-3.0-01-ND)

Reason: Change of manufacturing processes

Description: Due a change in manufacturing processes, there is a small change to the design of this part, as shown below. The 4 small notches present on the old design (one of the notches is circled in red) are no longer present as shown in the new design on the right-hand side. This does not affect the performance or overall dimensions of the part.



Should you require more details or wish to discuss this please do not hesitate to contact us at sales@tglobaltechnology.com.

Effective Immediately



Approved By: Duncan Bell, General Manager