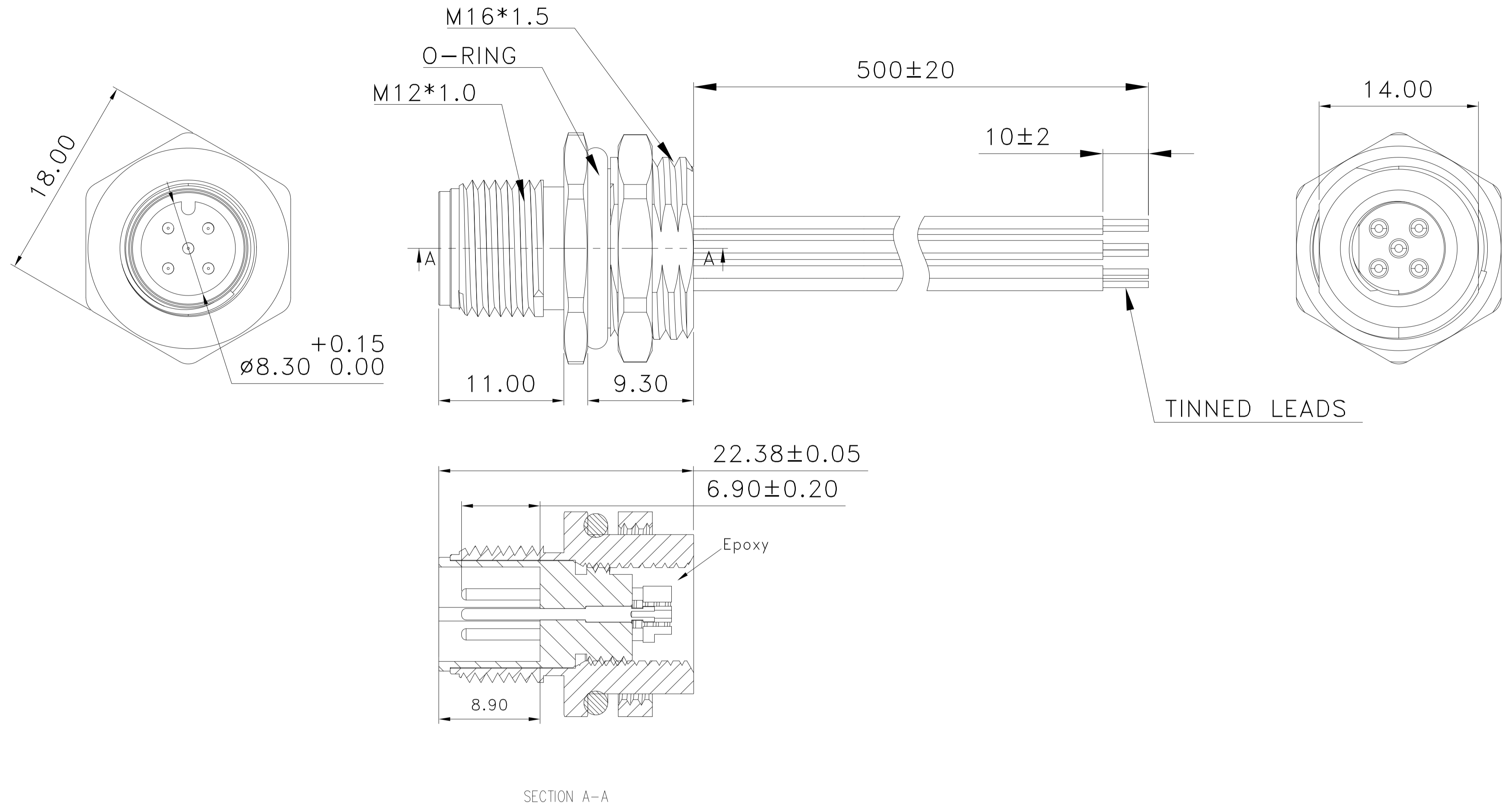
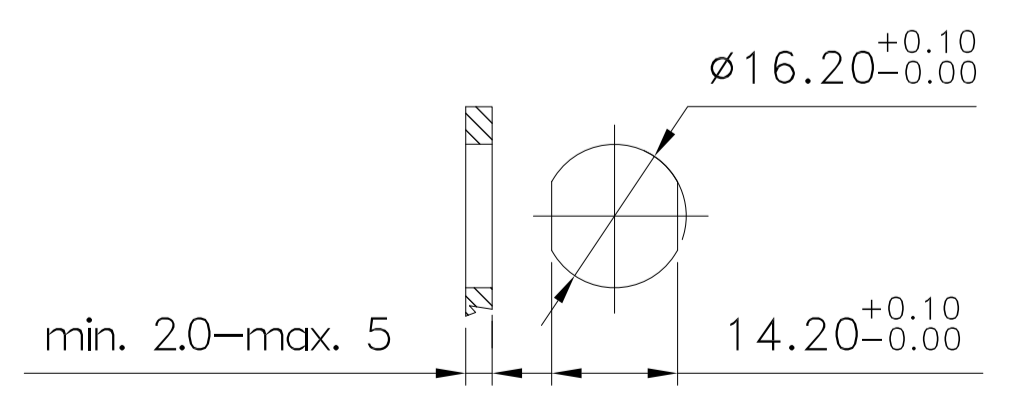
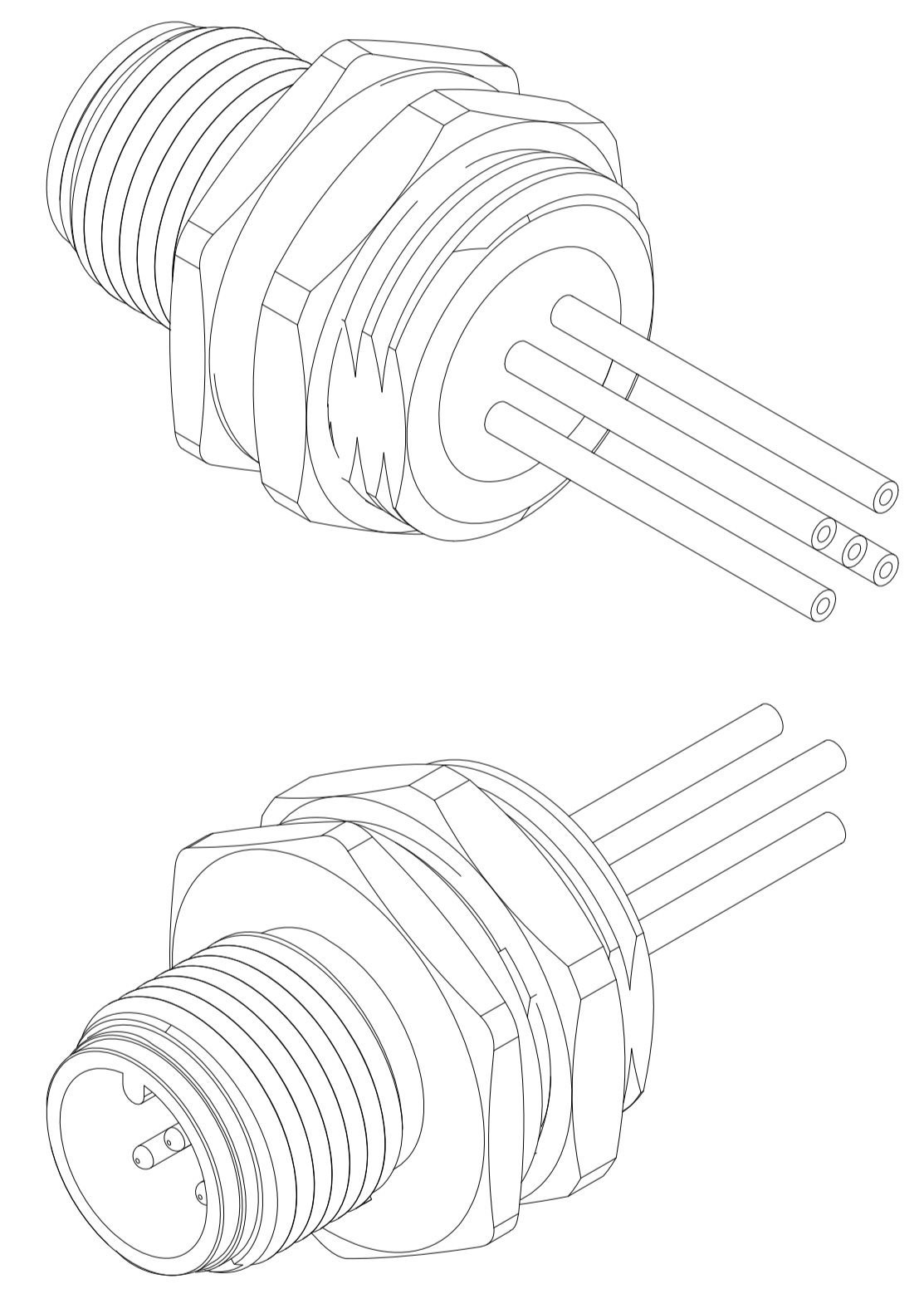


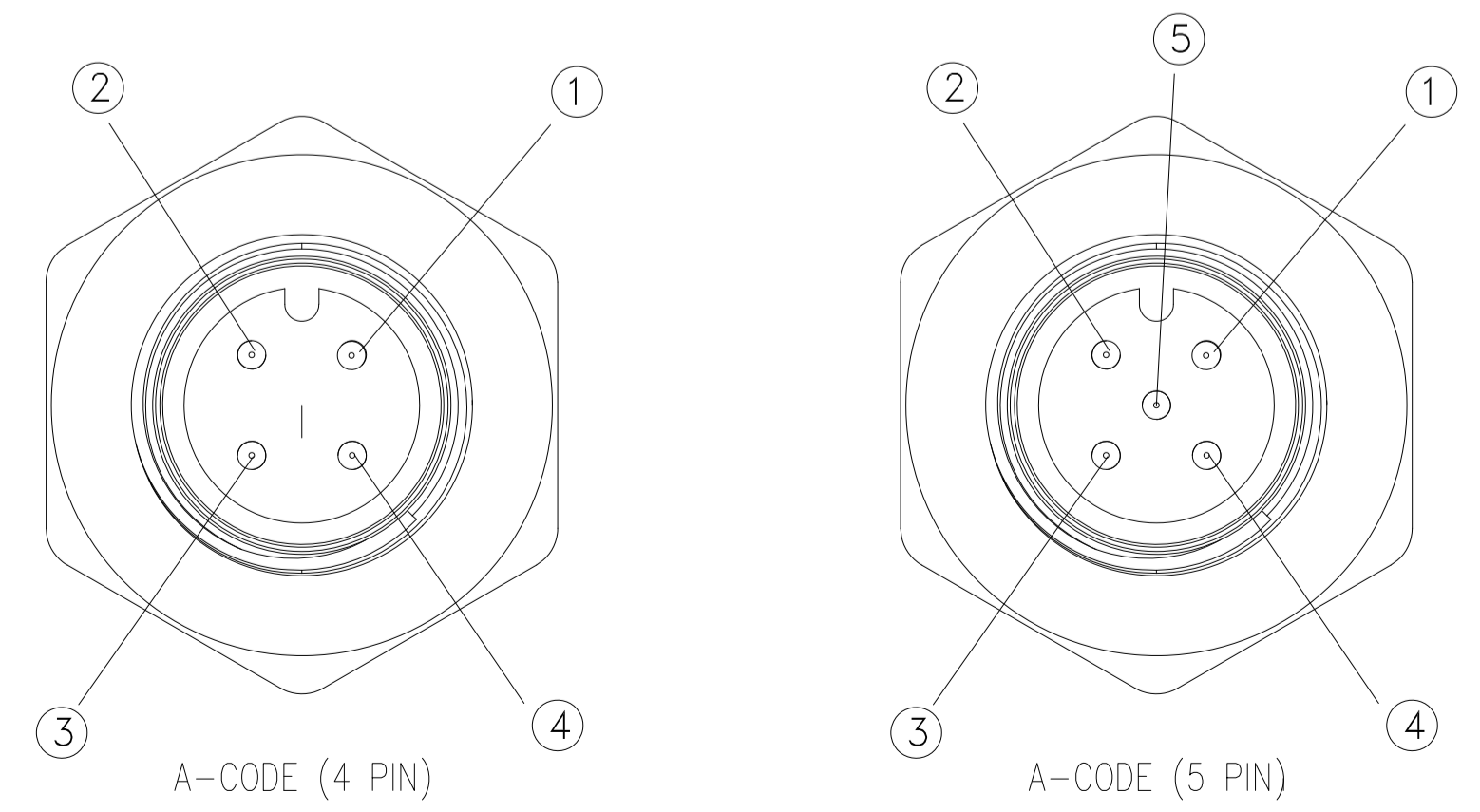
DATE	REV	REVISION CHANGES	ECN	APP'D. BY
09/19/18	A0	AS DRAWN	-	ADB



- NOTES:
- CONNECTOR MATERIALS:
HOUSING: THERMOPLASTIC UL94 V-0
CONTACTS/SHIELD: COPPER ALLOY
O-RING MATERIAL: SILICONE UL94 V-0
EPOXY POTTING COMPOUND IN REAR CAVITY
SHIELD PLATING: NICKEL
CONTACT PLATING: SELECTIVE GOLD (1 µIN) OR EQUIVALENT IN THE CONTACT AREA
 - FOR PRODUCT SPECIFICATIONS SEE PRO39-01
 - DIMENSIONS AND TOLERANCES COMPLY WITH IEC 61076-2-101 STANDARD.
 - THE SUGGESTED PANEL OPENING IS INTENDED TO GIVE USER THE ABILITY TO HAVE REASONABLE JACK/PANEL CLEARANCES
 - CODING: A-STANDARD
 - AWG22 WIRE LEADS ATTACHED PER WIRING DIAGRAM
 - CURRENT RATING: 4 AMPS MAX
 - VOLTAGE RATING: 250V AC/DC
 - DEGREE OF PROTECTION: IP67
 - TEMPERATURE RANGE: -20°C TO +85°C
 - MATING CYCLES: 100 INSERTIONS



RECOMMENDED PANEL CUT-OUT



WIRING DIAGRAM(22AWG)

- 1 ——— BROWN
- 2 ——— WHITE
- 3 ——— BLUE
- 4 ——— BLACK
- 5 ——— GREY

5	SS-12000-010
4	SS-12000-009
NUMBER OF CONTACTS	PART NUMBER

			11118 Susquehanna Trail South Glen Rock, PA 17327-9199 (717) 235-7512 http://www.stewartconnector.com
	DO NOT SCALE DRAWING DRAWING IS SUBJECT TO CHANGE WITHOUT NOTICE DIMENSIONS: METRIC UNLESS OTHERWISE SPECIFIED TOLERANCES ARE ±0.13 (0.005) ANGLES ARE ±1°	TITLE: FRONT PANEL MOUNT RECEPTACLE WITH WIRE LEADS M12 A-CODE, MALE THIS DRAWING AND THE SUBJECT MATTER SHOWN THEREON ARE CONFIDENTIAL AND THE PROPRIETARY PROPERTY OF STEWART CONNECTOR AND SHALL NOT BE REPRODUCED, COPIED, OR USED IN ANY MANNER WITHOUT PRIOR WRITTEN CONSENT OF STEWART CONNECTOR. ONE OR MORE U.S. PATENTS MAY APPLY TO THIS PRODUCT. FOR DETAILS, PLEASE VISIT: HTTP://BELFUSE.COM/STEWART/STEWART_PATENTS/	DRN BY: BTS APP'D BY: ADB SHEET NO. 1 OF 1