



SIGN	DATE	DESCRIPTION	APPROVER
△			
THIS IS CAD DRAWING, DO NOT REVISE MANUALLY!!!			

Material:

- Terminal(housing): Thermoplastic (UL94V-0)
- Terminal(cover): Thermoplastic (UL94V-0)
- Clamp: Brass Ni plated
- Female contact : Copper, Tin plated
- Wire guard: Stainless steel
- Terminal Screw: Steel , zinc plating " * " type
- Flange Screw: Steel Zinc plating M3"+/-" slot type

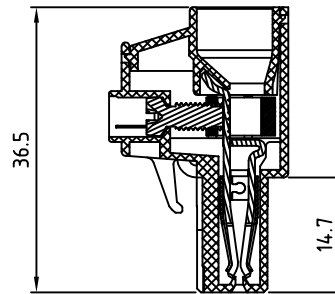
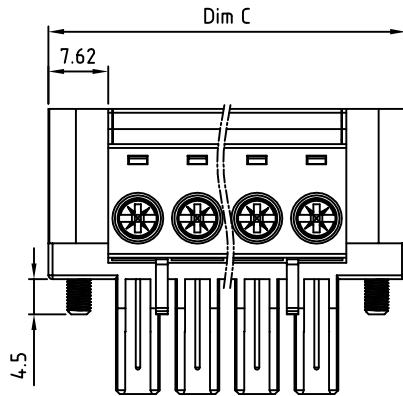
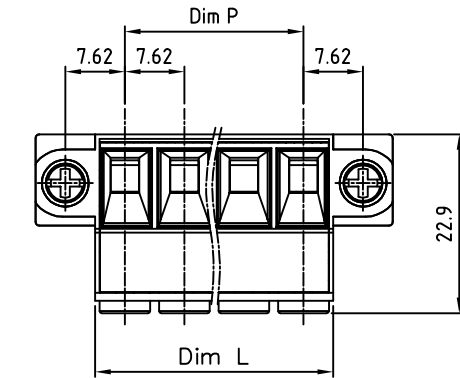
- Electrical:** cULus TUV
- Voltage rating: 300 V 800V
 - Current rating: 32 A 32A
 - Wire range: 0.2-6mm²
 - Solid wire(AWG): 8-24
 - Stranded wire(AWG): 8-24
 - Torque: 7 LB-In 0.8N.m
 - Screw: M3.5
 - Wire strip length: 10-11 mm
 - Withstanding Voltage: 1.6KV 6KV
 - Operating temperature: -40°C to +115°C
 - Safety Approval:  

RoHS Compliant

Part Number:

OSTETXX0252

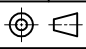
No. OF POLES	COLOR
02: 2 POLES	0 Black 5 Green (Standard)
:	2 Red 6 Blue
:	3 Orange 8 Grey
16: 16 POLES	4 Yellow 9 White



DIM		TOL			
		2P-4P	5P-8P	9P-12P	13P-16P
Dim L	N*7.62	±0.15	±0.20	±0.30	±0.40
Dim P	(N-1)*7.62	±0.15	±0.20	±0.30	±0.40
Dim C	(N+2)*7.62	±0.15	±0.20	±0.30	±0.40

THESE DRAWINGS AND SPECIFICATIONS ARE THE PROPERTY OF ON-SHORE TECHNOLOGY, INC. AND SHALL NOT BE REPRODUCED, COPIED OR USED IN ANY MANNER WITHOUT THE PRIOR WRITTEN CONSENT OF ON-SHORE TECHNOLOGY, INC.



TITLE: OSTET-7.62 W/Flange Series " * " (Mates with OSTVC series)							
PART NO. OSTETXX0252		DWG NO. OSTETXX0252.DWG					
APPROVED	CHECKED	DESIGNED	DRAWN	CUST NO.	Tolerance		
		Chen Bo 11.08.2013	Chen Bo 11.08.2013		UNIT: mm	X.	±0.50
					SCALE: NONE	X.X	±0.30
				SHEET: 01/01	REV. I	X.XX	±0.10
						X°	±1°