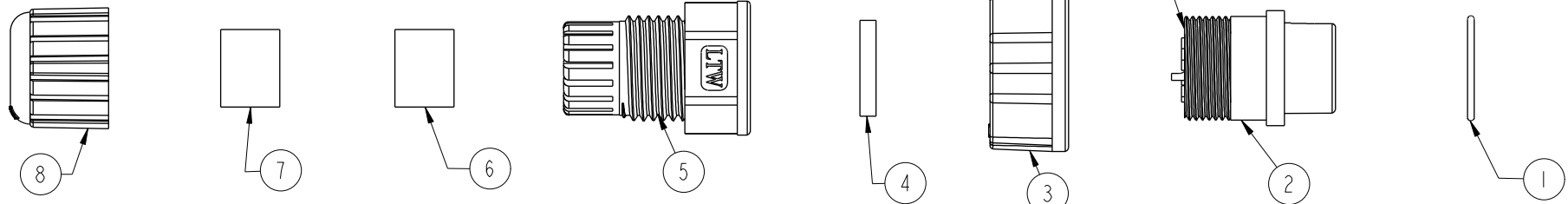


REV.	ECN NO.	DATE	SIGN	DESCRIPTION

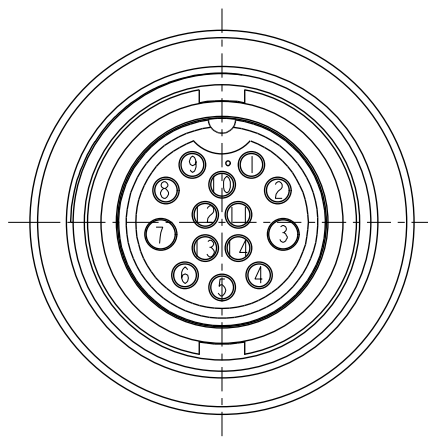
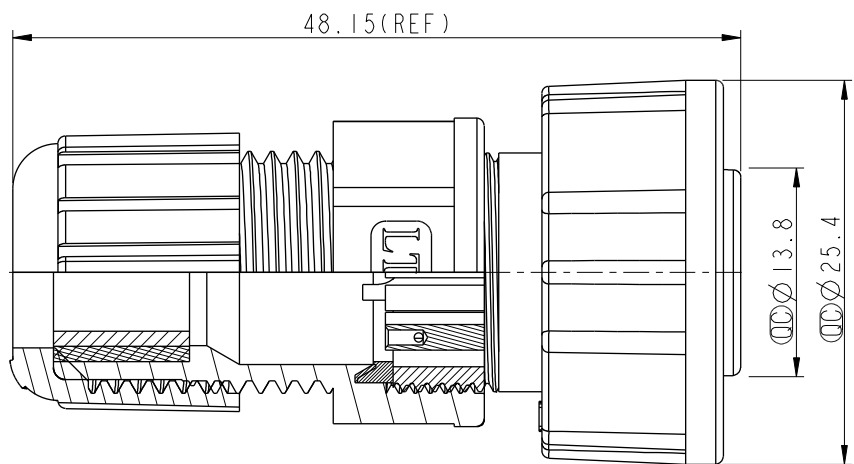
ALTW  
CONFIDENTIAL  
2012-04-17  
R&D DEPT.

ALTW  
DCC. DEPT.  
CONFIDENTIAL  
2012-06-01  
ISSUED



With Liquid Glue  
點 防水 膠

- Note:
- \* Seals B1 for Cable OD:  $\varnothing 7.6\text{mm} \sim \varnothing 9.6\text{mm}$   
(防水墊圈B1線徑: $\varnothing 7.6\text{mm} \sim \varnothing 9.6\text{mm}$ )
  - \* Seals B2 for Cable OD:  $\varnothing 4.0\text{mm} \sim \varnothing 7.6\text{mm}$   
(防水墊圈B2線徑: $\varnothing 4.0\text{mm} \sim \varnothing 7.6\text{mm}$ )
  - \* One Set Unassembled in One PE Bag.  
(每一組未組裝, 放置於一個PE袋, 並封口)
  - \*  $\text{CC}$  Important Dimension.  
( $\text{CC}$  為重點檢驗尺寸)
  - \* IP Rating: IP67
  - \* Housing: Nylon+GF
  - \* Pin: Brass, Gold Plated
  - \* Liquid Glue: Clear
  - \* O-Ring: Black, EPDM
  - \* Screw Nut: Black, Nylon+GF
  - \* Gasket: Black, Silicone
  - \* Clamping Ring: Black, Nylon
  - \* Seals: Black, EPDM
  - \* PE Bag: 90\*85mm



UNIT: mm

TOLERANCE	
.X	$\pm 0.25$
.XX	$\pm 0.1$
.XXX	$\pm 0.05$
ANGLES	$\pm 1^\circ$

TITLE 14Pin Female Connector Male Pin(5A+2A)			
SCALE 1:1	SIZE A4	SHEET 1 OF 1	
REV. A	WC-REV. A.2	$\text{CC}$ : Inspection item	

**Amphenol LTW**  
安費諾亮泰企業股份有限公司

ITEM NO. CDU-14BFMA-SL7001	DRAWN BY SamChang	DATE 2012-04-17
DWG NO. CDU-14BFMA-SL7001	CHECKED BY Jeffrey	DATE 2012-06-01
CUSTOMER ALTW	APPROVED BY Lion	DATE 2012-06-01

THIS DOCUMENT IS SUBJECT TO CHANGE WITHOUT NOTICE. IT IS CONFIDENTIAL AND A PROPERTY OF Amphenol LTW. DISCLOSURE TO THIRD PARTY HAS TO BE AUTHORIZED BY Amphenol LTW.

F  
E  
D  
C  
B  
A