



LAYOUT SHOWN AS EXAMPLE

Keying Shown as example

CHARACTERISTICS

- Standard : Based on MIL-DTL-38999 Series III
- Shell Material : Aluminium
- Shell Plating : Black Zinc Nickel
- Insulator : Thermoplastic
- Contacts : Copper Alloy
- Seals & Grommet : Silicon Elastomer
- Contact Plating : Gold over copper Alloy 0.8µm minimum
- Durability : 500 Mating cycles
- Delivered with Souriau contacts and Accessories
- Temperature Range : -65°C to +175°C
- Salt Spray : 500 hours

Connector dimension	
Dim	Nominal
A	49.2±0.3
B	33.32+0.1/-0.15
R	32.5Max
S	46±0.4
W	3+0.9/-0.1
VV THREAD	M28x1-6g

SOURIAU shall not be liable for any non-conformity or damage due to a use of the Products which does not comply with the Specifications issued by either of the Parties or by a third party (professional recommendation, technical notice.)

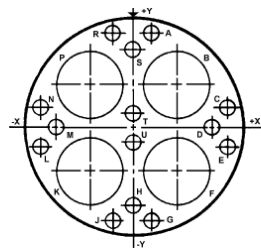
Country	Jurisdiction & Control List
FR	Not Listed

PN: 8D719Z18SA

A	30-09-2016	First Release	
ISS	DATE	Latest modification - by	MOD N°
Designed By:		Date:	CUSTOMER DRAWING
TITLE	Aluminium Receptacle 8D series		
SCALE		General linear Tolerances: ±--	NPRDS / PROJECT 859
NA	SOURIAU WWW.SOURIAU.COM		This document is the property of SOURIAU it must not be reproduced or communicated without permission
FORMAT	A3		SHEET 1/2
		SOURIAU DRG N° 8D719Z18SA-C	

BASIC SERIES:	8D	7	-	19	Z	18	S	A	ORIENTATION : A
SHELL TYPE :	Jam nut Receptacle								CONTACT TYPE : SOCKET(500 Matings)
CONTACT TYPE :	Standard Crimp Contact								CONTACT LAYOUT : 19-18
SHELL SIZE :	19								
PLATING :	Z = Black Zinc Nickel								

Contact Layout



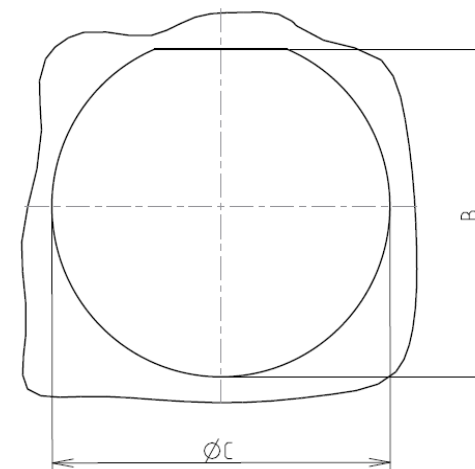
(Inactive for new design for MIL-DTL-38999. For new design, use arrangement no. 19-19.)

Contacts (Insert arrangement 19-18)					
Contact position ID	LOCATION		Contact position ID	LOCATION	
	X-axis (mm)	Y-axis (mm)		X-axis (mm)	Y-axis (mm)
A	+068 (1.73)	+380 (9.65)	K	-180 (4.57)	-180 (4.57)
B	+180 (4.57)	+180 (4.57)	L	-377 (9.58)	-065 (1.65)
C	+377 (9.58)	+065 (1.65)	M	-317 (8.05)	+000 (0.00)
D	+317 (8.05)	+000 (0.00)	N	-377 (9.58)	+065 (1.65)
E	+377 (9.58)	-065 (1.65)	P	-180 (4.57)	+180 (4.57)
F	+180 (4.57)	-180 (4.57)	R	-068 (1.73)	+380 (9.65)
G	+068 (1.73)	-380 (9.65)	S	+000 (0.00)	+319 (8.10)
H	+000 (0.00)	-319 (8.10)	T	+000 (0.00)	+044 (1.12)
J	-068 (1.73)	-380 (9.65)	U	+000 (0.00)	-044 (1.12)

Shell size	Arrangement No.	Number of contacts	Size contacts	Service rating	Contact location	Standard contact	
						Pin	Socket
19	18	4	8 (see note)	Twinax	B, F, K, P	M39029/90-529	M39029/91-530
		14	ZZD	M	All others	M39029/58	M39029/56

Panel cutout

JAM NUT RECEPTACLE (TYPE 7)



Dim	Nominal
B	33.91+0/-0.25
ØC	35.18+0.25/-0

SOURIAU shall not be liable for any non-conformity or damage due to a use of the Products which does not comply with the Specifications issued by either of the Parties or by a third party (professional recommendation, technical notice.)

Country	Jurisdiction & Control List
FR	Not Listed

PN: 8D719Z18SA

A	30-09-2016	First Release	
ISS	DATE	Latest modification - by	MOD N°
Designed By:		Date:	CUSTOMER DRAWING
TITLE	Aluminium Receptacle 8D series		
SCALE		General linear Tolerances:	NPRDS / PROJECT
NA		±--	859
SOURIAU	WWW.SOURIAU.COM		This document is the property of SOURIAU it must not be reproduced or communicated without permission
FORMAT	SOURIAU DRG N° 8D719Z18SA-C		SHEET 2/2