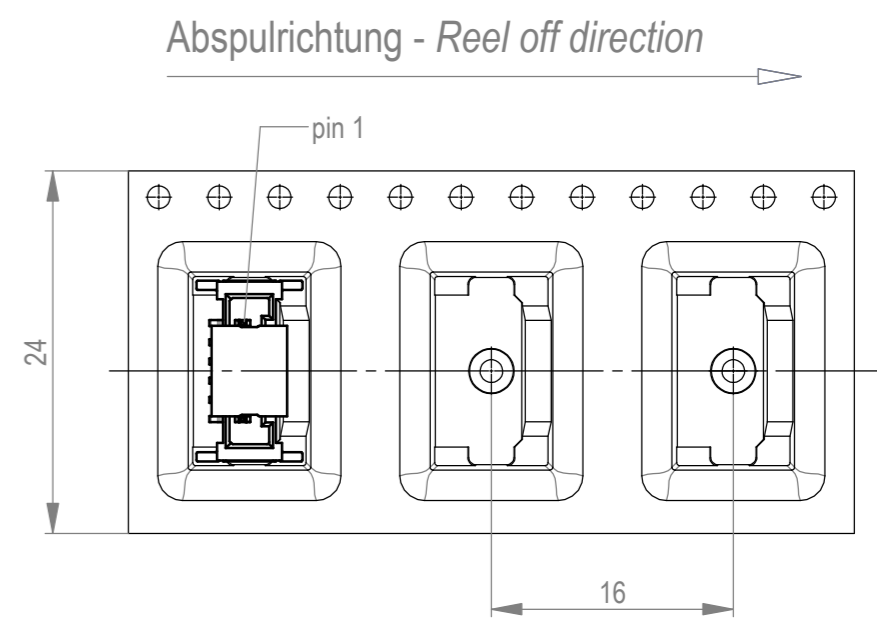
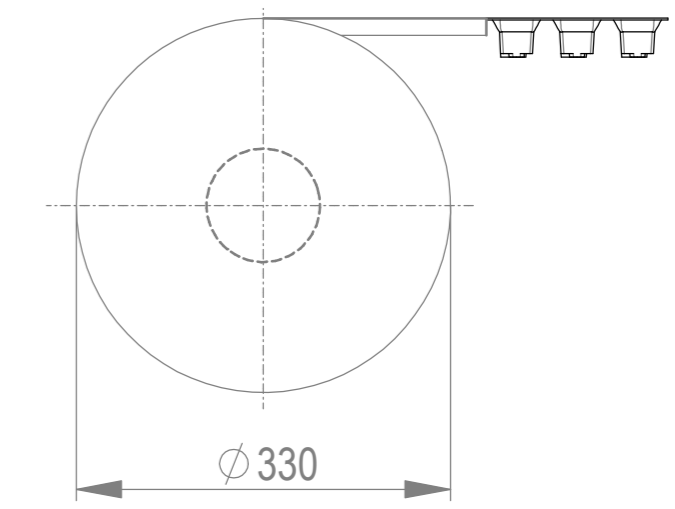
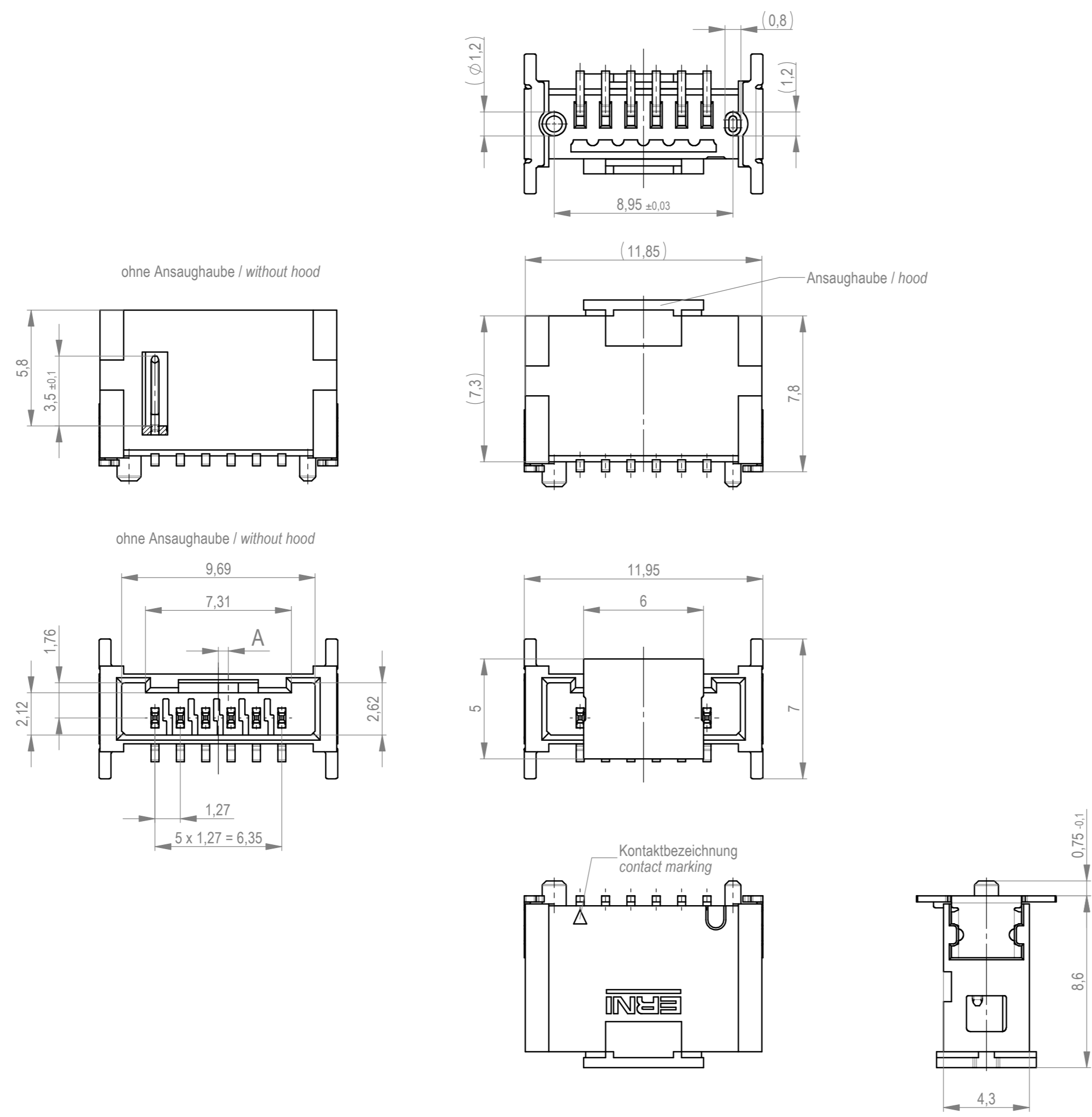
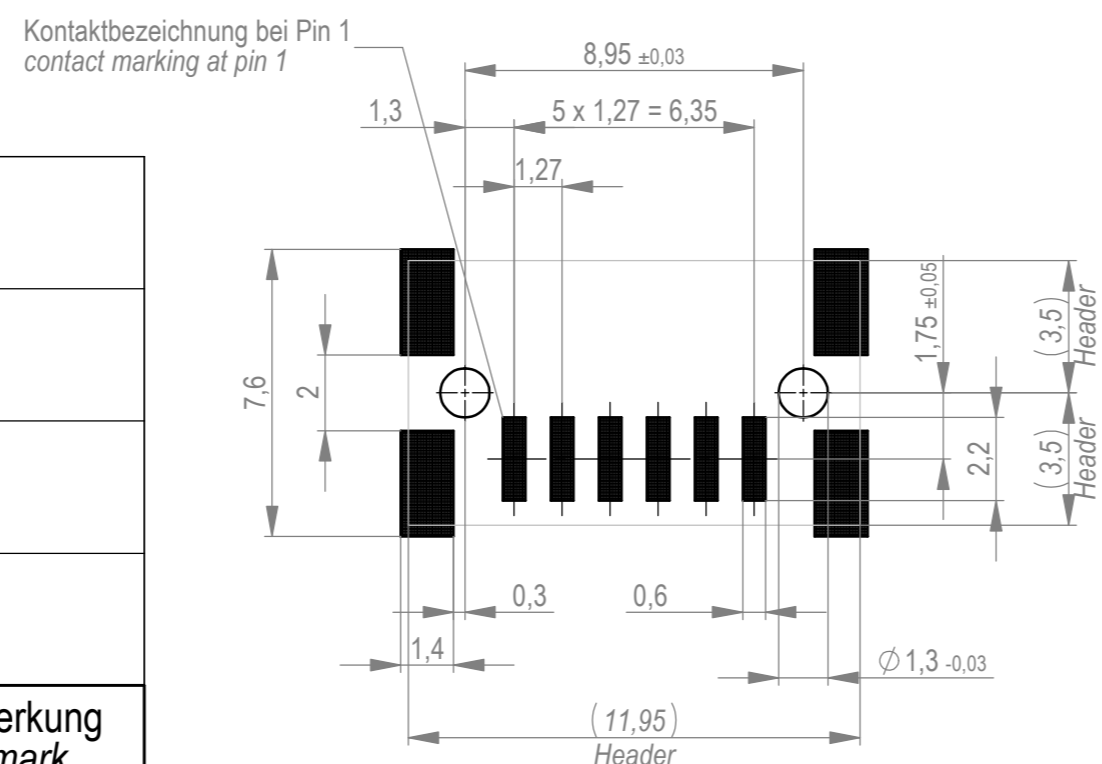


Verpackt im Gurt in Anlehnung an DIN IEC 60286-3
 tape on reel packaging according to DIN IEC 60286-3
 Verpackungseinheit: 440 Stück
 packaging unit: 440 pcs



Layoutvorschlag
 recommended layout



Anforderungsstufe 1
 performance level 1

Kontaktbereich vergoldet
 mating area gold plating

Anschlussbereich verzinkt 4-6 µm
 terminal area 4-6 µm tin plating

Koplanarität der Anschlüsse ≤ 0,1 mm
 coplanarity area of termination ≤ 0,1 mm

504428		rot red	1,5	
504427		grün green	1,5	
504426		blau blue	0,5	
504425		schwarz black	0,5	
Ident-Nr. part-no.	Codierung coding	Farbe colour	A	Bemerkung remark

Dimension no.	Tolerances ISO 2768-FH ISO 8015		Scale 5:1 Material
Customer drawing: All rights reserved. Only for information. To ensure that this is the latest version of this drawing, please contact one of the ERNI companies before using.	Subject to modification without prior notice. Drawing will not be updated.		MicroBridge Male Straight SMT 06-pin 504424
e	14.09.2020		ERNI International AG Zürichstrasse 72 8306 Brüttisellen - Zürich Switzerland
Index	Date	Class	MCBP

Die deutsche Version dieser Zeichnung dient nur zur Einreichung bei der Handlung. Bei Abweichungen vom englischen Original gilt das englische Original. This drawing has been created for convenience only and may deviate from the original. In case of any deviation the English version shall prevail. In case of any deviation the English version shall prevail. In case of any deviation the English version shall prevail.