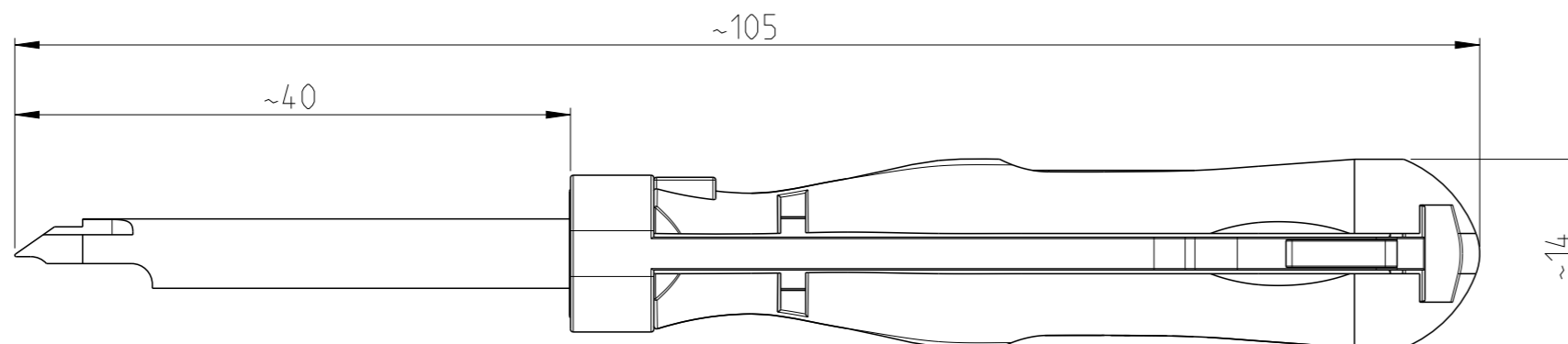
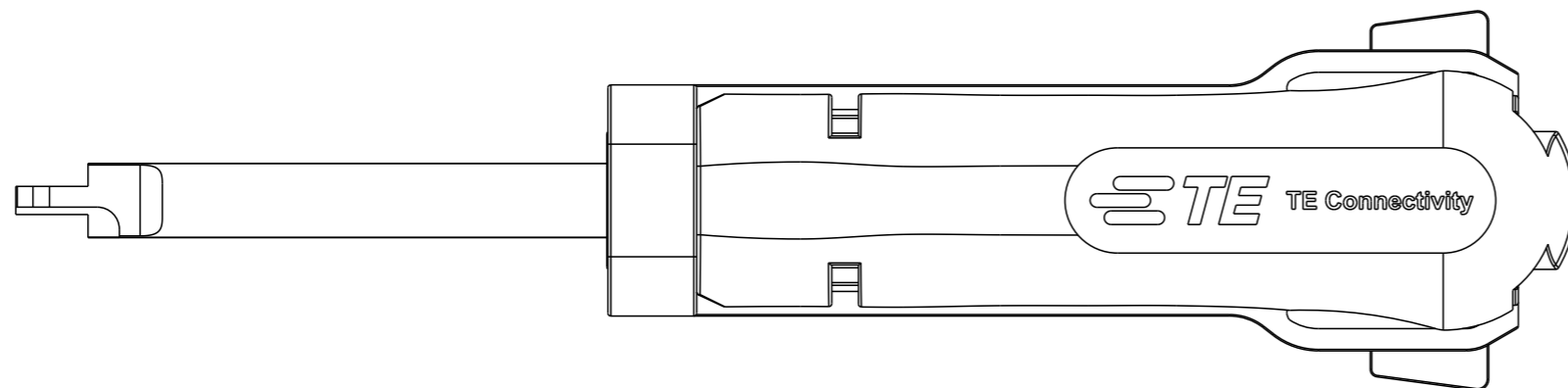


Auslieferungszustand wie dargestellt!!!!

REVISIONS					
P	LTR	DESCRIPTION	DATE	DWN	APVD
	A2	ECR-16-016217	16NOV2016	KH	BM
	A3	ECR-20-008954	11JUL2020	PNT	GS



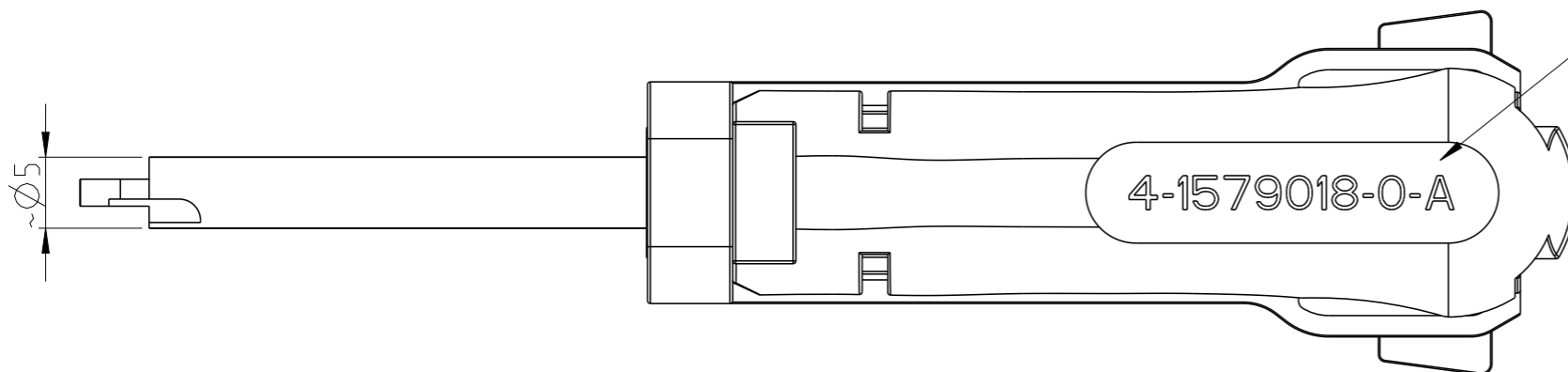
APPLICATION RANGE / Anwendungsbereich:

CONTACT: MCON 1.2 1452501, 1534595,
1534063, 1570145,
1452504, 1418842,
1418845, 1418848,
1670147, 1418851

HOUSING: 1703440

APPLICATION SPEC: 114-18464

ITEM NUMBER
Art.-Nr.



THIS DRAWING IS A CONTROLLED DOCUMENT.		DWN S.Samstag 10MAR2009														
DIMENSIONS: mm		CHK														
TOLERANCES UNLESS OTHERWISE SPECIFIED:		APVD	NAME EXTRACTION TOOL Entriegelungswerkzeug													
<table border="0"> <tr> <td>0 PLC</td> <td>±</td> </tr> <tr> <td>1 PLC</td> <td>±</td> </tr> <tr> <td>2 PLC</td> <td>±</td> </tr> <tr> <td>3 PLC</td> <td>±</td> </tr> <tr> <td>4 PLC</td> <td>±</td> </tr> <tr> <td>ANGLES</td> <td>±</td> </tr> </table>		0 PLC	±	1 PLC	±	2 PLC	±	3 PLC	±	4 PLC	±	ANGLES	±	PRODUCT SPEC	RESTRICTED TO	
0 PLC	±															
1 PLC	±															
2 PLC	±															
3 PLC	±															
4 PLC	±															
ANGLES	±															
MATERIAL		APPLICATION SPEC	SIZE A3	CAGE CODE 00779												
FINISH		WEIGHT 0.015kg	DRAWING NO C-4-1579018-0	REV A3												
CUSTOMER DRAWING			SCALE 2:1	SHEET 1 OF 1												