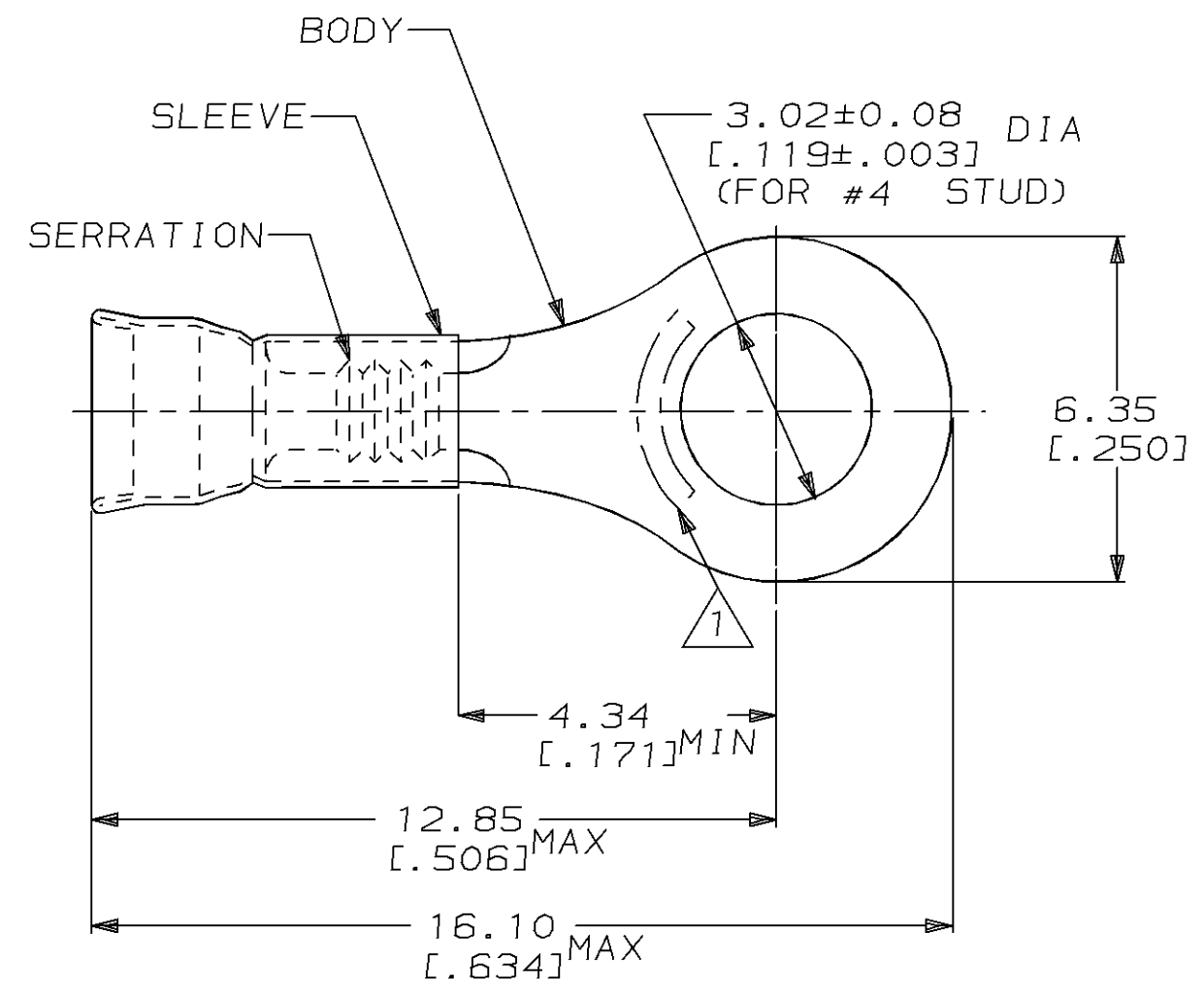


THIS DRAWING IS UNPUBLISHED. RELEASED FOR PUBLICATION ,19 .  
 © COPYRIGHT 19 BY AMP INCORPORATED. ALL RIGHTS RESERVED.

LOC	DIST	REVISIONS					
		P	LTR	DESCRIPTION	DATE	DWN	APVD
G	14		D	REDRAWN PER 0720-0470-95	23JAN95	LO	ME

<b>AMP</b> WIRE RANGE	<b>UL</b> E13288	<b>SR</b> LR7189 Certified
16-14 AWG SOLID OR STRANDED	16-14 AWG SOLID OR STRANDED	16-14 AWG SOLID OR STRANDED



1. STAMP AMP 16-14\* LOCATE APPROX AS SHOWN

2. WIRE INSUL DIA, 2.92-4.32 [ $.115-.170$ ]
3. TONGUE MATL THK, 0.79±0.05 [ $.031 \pm .002$ ]

-	-	-
1000	LOOSE PIECE	32189
QTY	PACKAGE TYPE	PART NO

AMP INCORPORATED CUSTOMER SERVICE SYSTEM		MAX RECOMMENDED OPERATING TEMPERATURE: 170°C [338°F]	THIS DRAWING IS A CONTROLLED DOCUMENT FOR AMP INCORPORATED. IT IS SUBJECT TO CHANGE AND THE CONTROLLING ENGINEERING ORGANIZATION SHOULD BE CONTACTED FOR THE LATEST REVISION.		DWN L OLMEDA 23JAN95	<b>AMP</b> AMP Incorporated Harrisburg, PA 17105-3608
FOR ADDITIONAL PRODUCT INFORMATION OR COPIES OF DRAWINGS AND TECHNICAL DOCUMENTS	PRODUCT INFORMATION CENTER 1-800-522-6752		VOLTAGE RATING: -	DIMENSIONS: mm [in]	TOLERANCES UNLESS OTHERWISE SPECIFIED:	
FOR APPLICATION TOOLING INFORMATION	TOOLING ASSISTANCE CENTER 1-800-722-1111	CIRCULAR MIL AREA: 1.04mm <sup>2</sup> -2.62mm <sup>2</sup> [2050-5180]		0 PLC ±-	APVD S BORTNER 23JAN95	NAME TERMINAL, RING, DIAMOND GRIP, WIRE SIZE, 16-14 AWG
FOR ORDER ENTRY	1-800-526-5142	MATERIAL BODY, CU, SLV, CU PER ASTM B152		1 PLC ±-	2 PLC ±0.20 [.008]	PRODUCT SPEC UL486A
			FINISH TIN PLATE PER MIL-T-10727	3 PLC ±-	APPLICATION SPEC	CAGE CODE 00779
				4 PLC ±-	WEIGHT -	DRAWING NO C-32189
				ANGLES ±-	CUSTOMER DRAWING	SCALE 8:1
						SHEET 1 OF 1
						REV D