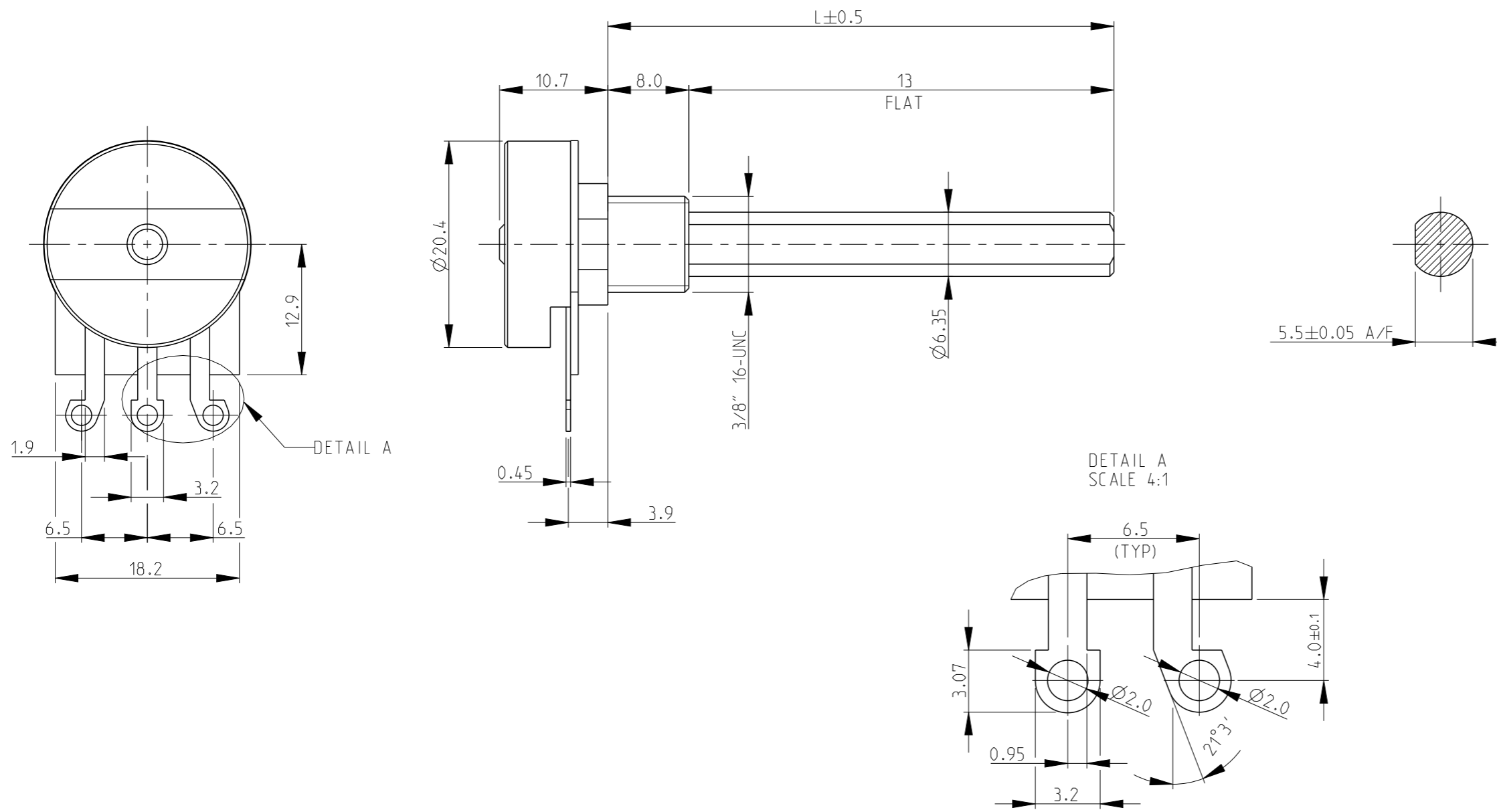


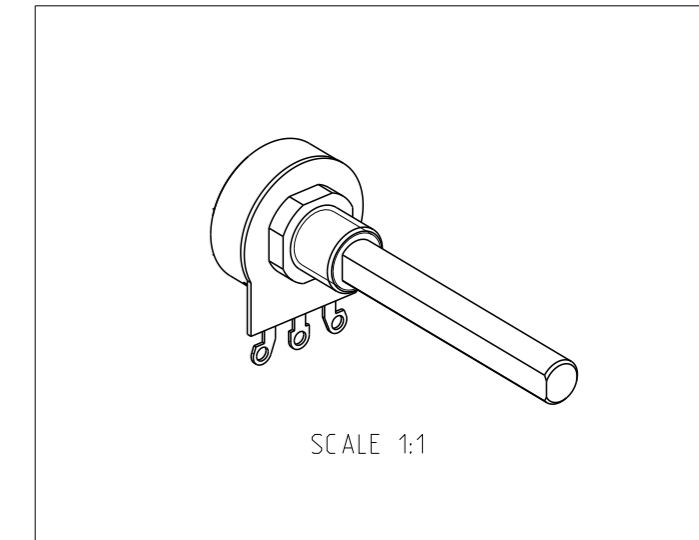
NOTE:

1. AVAILABLE WITH DIFFERENT SHAFT LENGTHS AND STYLES AND DIFFERENT BUSHES TO SUIT. SEE DATA SHEET FOR DETAILS. 3/8" x 8mm BUSH (M) WITH 6.35mm FLATTED SHAFT(F) SHOWN.
2. FOR FURTHER INFORMATION SEE DATA SHEET FOR 23 SERIES-SPINDLE OPERATED POTENTIOMETER

P	LTR	DESCRIPTION	DATE	DWN	APVD
	BA	NEW RELEASE	30JUL2008	SM	St.P
	BA1	NEW PRODUCT INTRODUCTION	10AUG2022	KS	AP



RoHS Compliant



SCHEDULE

TCPN	CATALOGUE NUMBER	PART DESCRIPTION	PART STATUS
1623760-1	23ESA103MMF50N	23E 10KA 6.35X50FL B7	PRODUCTION
1623760-2	23ESA103MMF50NF	23E 10KA 6.35X50FL B7 CAT	PRODUCTION
1623760-3	23ESA103MSA50N	23E 10KA 6X50PL B7	DISCONTINUED
1623760-4	23ESA103MWL32N	23E 10KA 6X32FL B9 M10 LOC	PRODUCTION
1623760-5	23ESA103MPE32N	23E 10KA 20% 4x32PL M7	PRODUCTION
1623760-6	23ESA103MPE11N	23E 10KA 20% 4x11PL M7	PRODUCTION
1623760-7	23ESA103MPE14N	23E 10KA 20% 4x14PL M7	PRODUCTION

THIS DRAWING IS A CONTROLLED DOCUMENT.

DIMENSIONS: mm	TOLERANCES UNLESS OTHERWISE SPECIFIED: 0 PLC ±0.2 1 PLC ±0.1 2 PLC ± 3 PLC ± 4 PLC ± ANGLES ±5°
MATERIAL -	FINISH -

DWN	SUBHASH.M	30JUL2008
CHK	PRAKASH.S	30JUL2008
APVD	STEPHEN.P	30JUL2008
PRODUCT SPEC	-	-
APPLICATION SPEC	-	-
WEIGHT	-	-
CUSTOMER DRAWING		

TE TE Connectivity

NAME: SPINDLE OPERATED POTENTIOMETER TYPE 23E SERIES

SIZE	CAGE CODE	DRAWING NO	RESTRICTED TO
A3	00779	C=1623760	-

SCALE 2:1 SHEET 1 OF 1 REV BA1