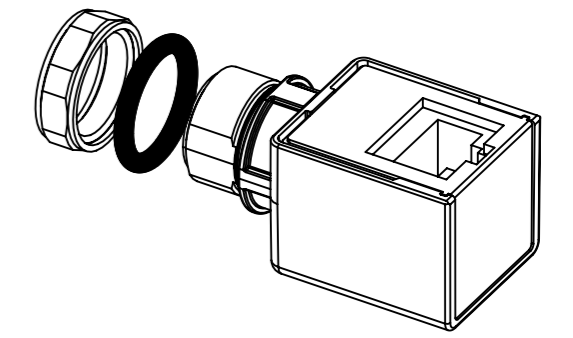
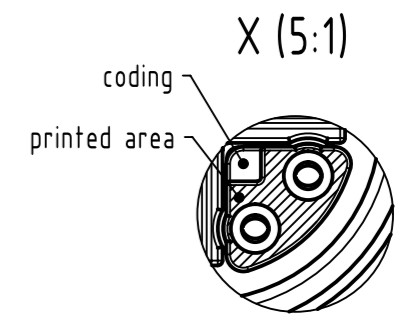
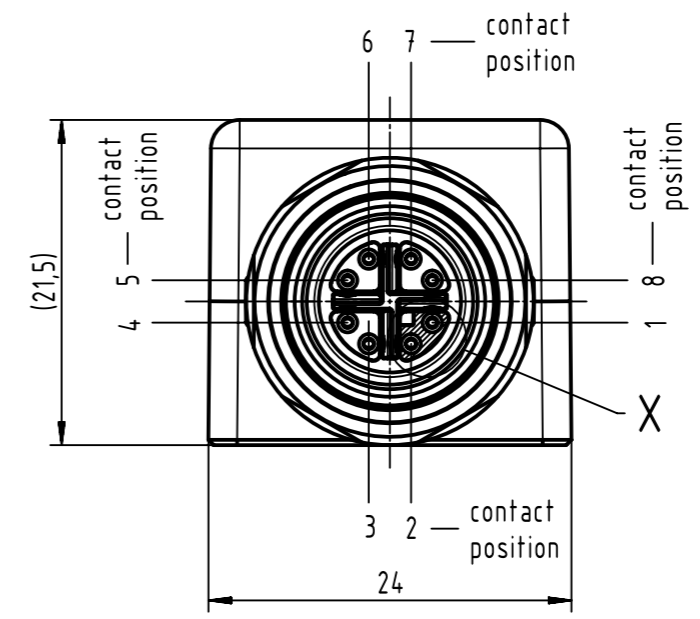


contact face acc. to IEC 61076-2-109



	All rights reserved Department EL PD	All Dimensions in mm Original Size DIN A3		Scale 2:1	Free size tol.	Ref. Sub.
		Created by HASSEBROCKS	Inspected by EISFELD	Standardisation 302077	Date 2021-02-25	State Final Release
HARTING D-32339 Espelkamp		Title har-speed adapter M12-RJ45, angled			Doc-Key / ECM-Nr. 100230266/UGD/008/K 500000189929	
		Type TB	Number 21033814800		Rev. K	Page 1/1