

MATERIAL NUMBER

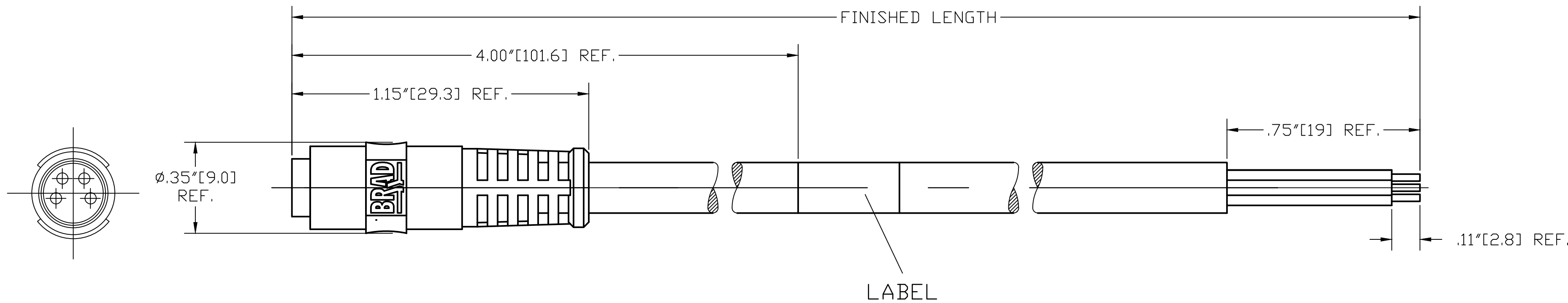
OLD PART NUMBER

FINISHED LENGTH

120088-0116

504000B09M020

6.56' +3.50" -0 [2.0M +88.9mm -0]



504000B09M020

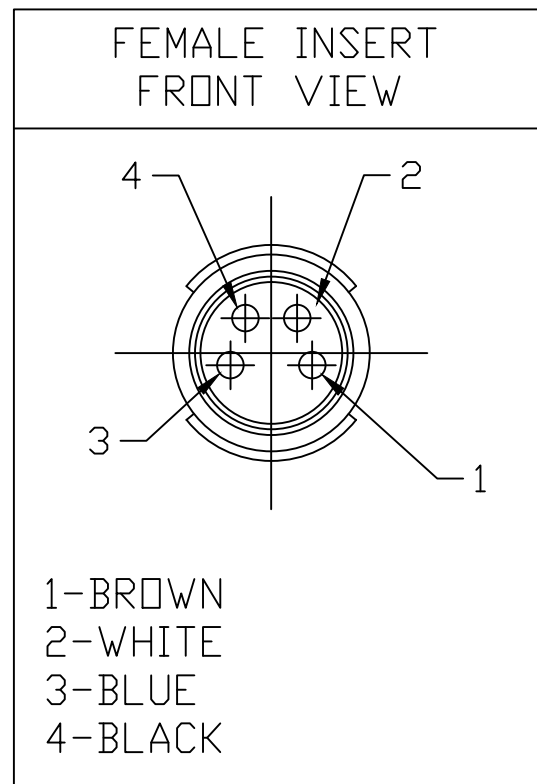
Wire type  
4x .25mm<sup>2</sup>  
Yellow PUR

cable length  
M020----2 Meter  
M100----10 Meter

CONTACT:	GOLD/NICKEL OVER COPPER ALLOY
INSERT:	PUR, BLACK
MOLDED BODY:	RITFLEX, YELLOW
VOLTAGE RATING:	60 VAC/75 VDC
AMPERAGE RATING:	3 AMPS
PROTECTION:	IP67
OPERATING TEMPERATURE:	-20°C TO 80°C

1	BROWN
2	WHITE
3	BLUE
4	BLACK

WIRING DIAGRAM



INITIAL RELEASE EC NO: IPG2014-0063 DRWN: EBRACKEN 2013/06/27 CH'KD: RSTONE APPR: BWOODMAN2013/08/16	QUALITY SYMBOL	GENERAL TOLERANCES (UNLESS SPECIFIED)		DIMENSION STYLE	SCALE	DESIGN UNITS	THIRD ANGLE PROJECTION	
	▽=0 ∇=0	mm	INCH	IN/MM	---	INCH		
		4 PLACES ±---	±---	DRAWN BY DATE	TITLE			
		3 PLACES ±---	±.005	EBRACKEN 2013/06/18	NANO-CHANGE ASSEMBLY 4 POLE FP SNAP #24 PUR YELLOW			
	2 PLACES ±0.13	±.010	CHECKED BY DATE	MOLEX INCORPORATED				
	1 PLACE ±0.25	±.020	RSTONE	DOCUMENT NO. SD-120088-028				
			APPROVED BY DATE	SHEET NO. 1 OF 1				
			BWOODMAN 2013/08/16	THIS DRAWING CONTAINS INFORMATION THAT IS PROPRIETARY TO MOLEX INCORPORATED AND SHOULD NOT BE USED WITHOUT WRITTEN PERMISSION				
			MATERIAL NO. SEE CHART					
			SIZE C					