

10

9

8

7

6

5

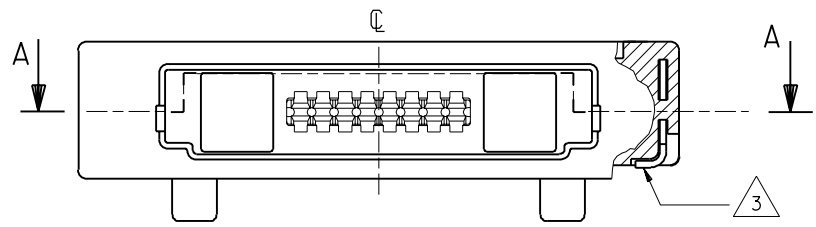
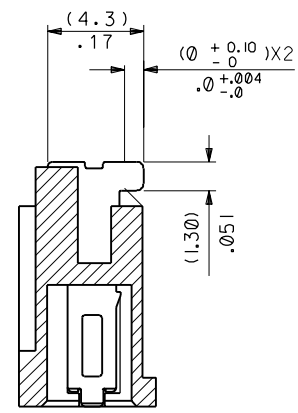
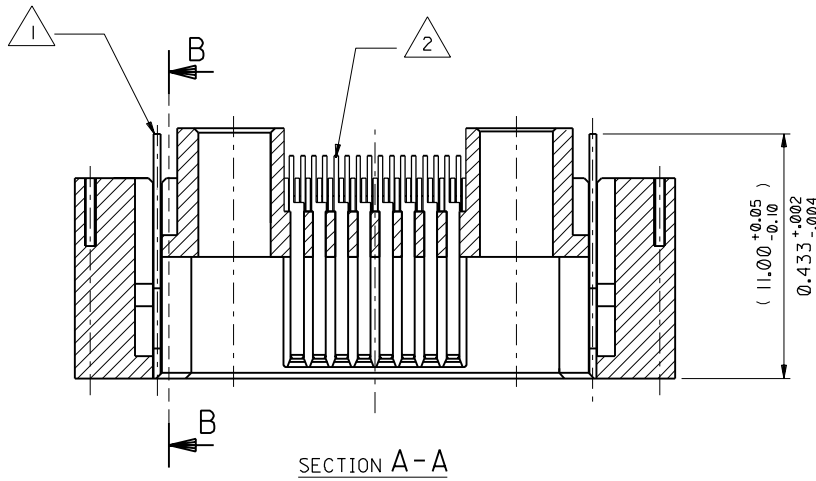
4

3

2

1

PART NO.
SDA-90811-0111
DWG. NO.
90811-0111



FOR MISSING DIMENSIONS SEE DRAWING SDA-90811-0109

2	A
1	A
SHL.	REV.

FOR PREVIOUS DRAWING ISSUES SEE MRI.

ORIGINAL RELEASE ECN E50483 95.04.27 HDU	DIMENSIONS SHOWN (METRIC) INCH UNLESS OTHERWISE SPECIFIED TOLERANCES: ANGULAR ± 1/2°	DRWG BY HDU
LTR REVISIONS	3 PLACE ± .002	CHK'D BY
	2 PLACE ± .004 ± 0.05	
A	1 PLACE ± 0.10	APP'D BY
	DRAFT WHERE APPLICABLE MUST REMAIN WITHIN DIMENSIONS	SCALE
	DESIGN DIMENSION <input checked="" type="checkbox"/> (MM) (PRIMARY) <input type="checkbox"/> IN.	5:1
	EQUIVALENT DIMENSION <input type="checkbox"/> (MM) (SECONDARY) <input checked="" type="checkbox"/> IN.	

REVISE ONLY ON CAD SYSTEM		
CAD/CAM FILENAME S908111 DGN	THIS DRAWING CONTAINS INFORMATION THAT IS PROPRIETARY TO MOLEX INC. & SHOULD NOT BE USED WITHOUT WRITTEN PERMISSION	
TITLE I/O CONNECTOR FOR MOBILE PHONE		
MOLEX EUROPE	SHEET NO. 10F 2	DATE 95/04/27
PART NO. 90811-0111	DWG NO. SDA-90811-0111	SIZE B

7132-1283

10

9

8

7

6

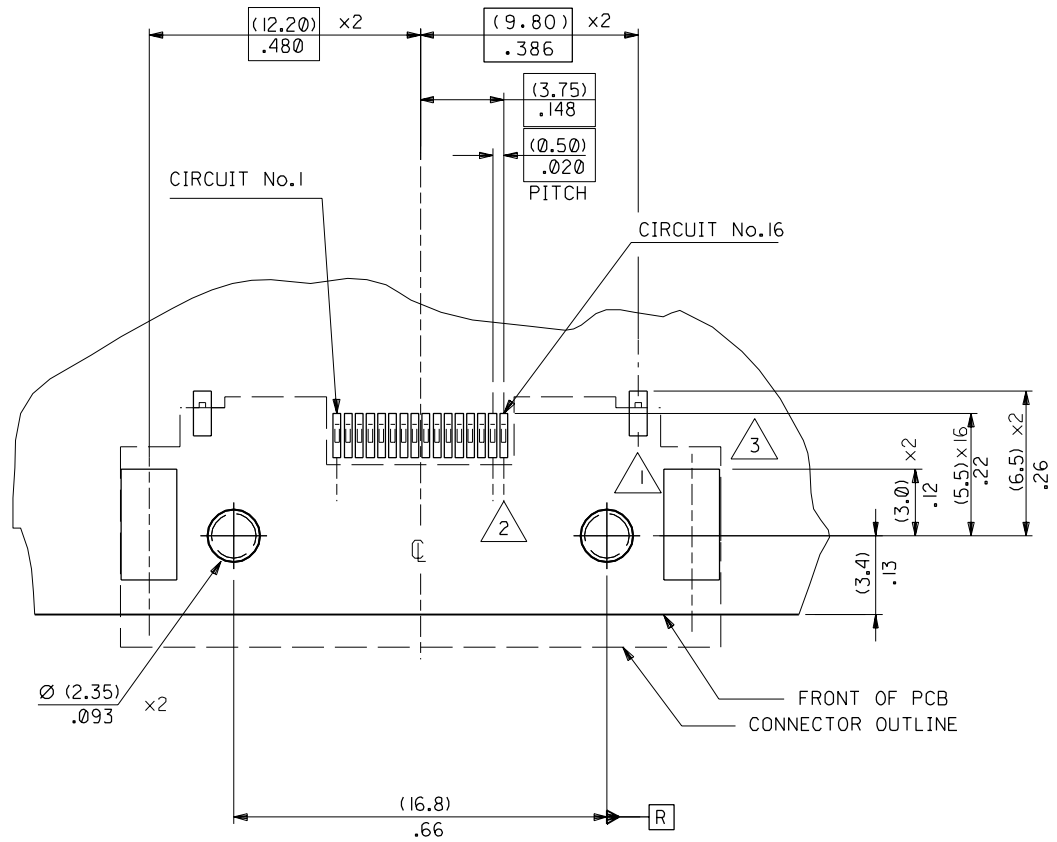
5

4

3

2

1



COMPONENT	PCB PAD DIMENSION	QTY
LOCKING LATCHES	(0.80)/.031 x (2.0)/.079	Φ (0.10) / .004 R (x2)
SIGNAL CONTACTS	(0.35 \pm 0.05)/.014 \pm 0.002 x (2.0)/.08	Φ (0.10) / .004 R (x16)
SMT RETENTION PADS	(2.50)/.098 x (5.0)/.197	Φ (0.10) / .004 R (x2)

FOR PREVIOUS DRAWING ISSUES SEE MRI.

A SEE SHEET I.

LTR	REVISIONS	DIMENSIONS SHOWN (METRIC) INCH	
		INCH	(METRIC)
		3 PLACE \pm .002	
		2 PLACE \pm .004	\pm 0.05
		1 PLACE	\pm 0.10
		DRAFT WHERE APPLICABLE MUST REMAIN WITHIN DIMENSIONS	
		DESIGN DIMENSION (PRIMARY)	<input type="checkbox"/> (MM) <input type="checkbox"/> IN.
		EQUIVALENT DIMENSION (SECONDARY)	<input type="checkbox"/> (MM) <input type="checkbox"/> IN.

DRWG BY HDU
CHK'D BY
APP'D BY
SCALE 5:1

REVISE ONLY ON CAD SYSTEM		SH.	REV.
CAD/CAM FILENAME P9081111.DGN		THIS DRAWING CONTAINS INFORMATION THAT IS PROPRIETARY TO MOLEX INC. & SHOULD NOT BE USED WITHOUT WRITTEN PERMISSION	
TITLE I/O CONNECTOR FOR MOBILE PHONE			
MOLEX MOLEX EUROPE		SHEET NO. 20F	DATE 95/04/27
PART NO. 90811-0111	DWG NO. SDA-90811-0111	SIZE B	