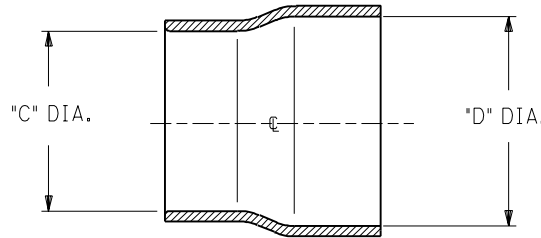
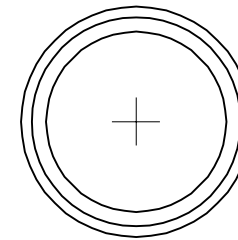
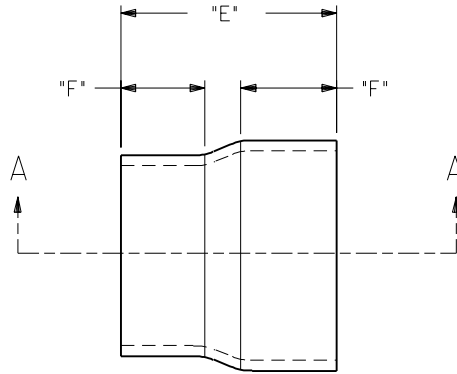
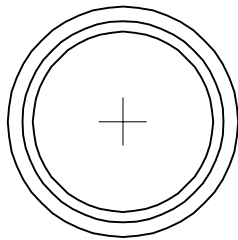
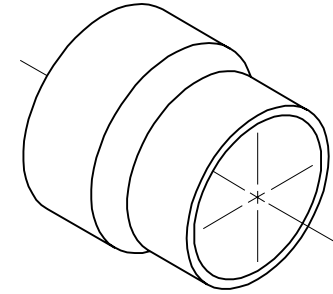


NOTES:

1. MATERIAL: STEEL, ANNEALED, .020±.001 THICK
2. PLATING: .000200 IN. MIN. BRIGHT TIN OVER .000100 IN. MIN. COPPER OVERALL.
3. PRODUCT CONFORMS TO PRODUCT SPECIFICATION PS-71182.
4. PACKAGING: PRODUCT IS BULK PACKAGED



SECTION A-A

PART #	CABLE DIA. RANGE	"C"	"D"	"E"	"F"	USES EMI CAN KIT NUMBER
73772-0001	.246-.321 (6.25-8.16)	.324 (8.23)	.437 (11.10)	.450 (11.43)	.191 (4.85)	71755-1001 88789-9332 88789-9333
73772-0002	.322-.354 (8.17-9.00)	.375 (9.53)	.437 (11.10)			
73772-0003	.355-.387 (9.01-9.84)	.392 (9.96)	.505 (12.83)	.565 (14.35)	.235 (5.97)	71755-1000 88789-9333
73772-0004	.388-.420 (9.85-10.67)	.432 (10.97)	.505 (12.83)			71755-1000

ADDED KIT #15
EC No. LUT2001-0277
DRAWING: SCHMIDGA 00090905
CHK: TMCLELL 00090906
APPR: FNELSON 00090907

QUALITY SYMBOLS
MAJOR
CRITICAL
DRAFT WHERE APPLICABLE MUST REMAIN WITHIN DIMENSIONS

GENERAL TOLERANCES: (UNLESS SPECIFIED)
4 PLACES ±0.005
3 PLACES ±0.010
2 PLACES ±0.020
1 PLACE ±0.050
ANGULAR: ± 1/2°

SCALE 5 : 1
DESIGN UNITS
DRAWN BY & DATE
CHECKED BY & DATE
APPROVED BY & DATE
CAD FILENAME
73772S1.DGN

DIMENSIONS:
THIRD ANGLE PROJECTION
TITLE: MICROCROSS, P&D AND DVI CRIMP FERRULES SALES DRAWING
MATERIAL NO. SEE CHART
DRAWING NO. SD-73772-000
SHEET NO. 1 OF 1
SIZE C