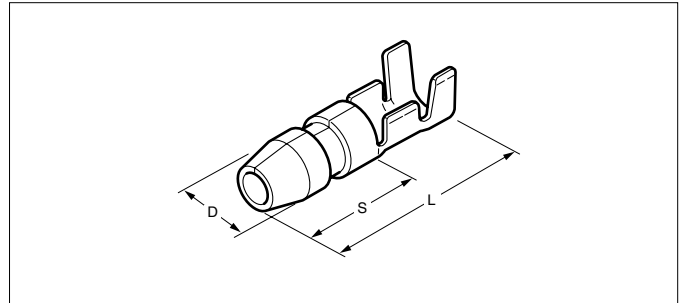


BULLET TERMINAL

Nominal 4.0mm dia. bullet male



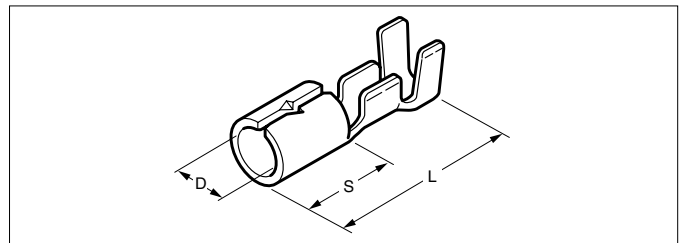
Recognized E60389

Certified LR20812

Model No.	Standard	Applicable wire			Material	Finish	Dimensions(mm)				Q'ty / reel
		mm ²	AWG #	Insulation O.D. (mm)			D (dia.)	L	S	Material thickness	
SGM-51-4		0.5 to 2.0	20 to 14	2.6 to 3.8	Brass	—	3.55	15.9	7.3	0.5	5,000
SGM-51T-4						Tin-plated					

RoHS compliance

Nominal 4.0mm dia. bullet female



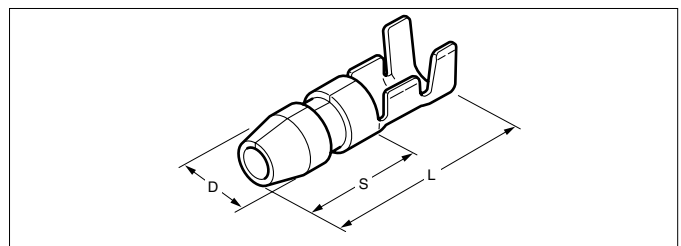
Recognized E60389

Certified LR20812

Model No.	Standard	Applicable wire			Material	Finish	Dimensions(mm)				Q'ty / reel
		mm ²	AWG #	Insulation O.D. (mm)			D (dia.)	L	S	Material thickness	
SGF-41-4		0.5 to 1.25	20 to 16	2.6 to 3.5	Brass	—	3.5	17.5	6.4	0.32	7,500
SGF-41T-4						Tin-plated					

RoHS compliance

Nominal 5.0mm dia. bullet male



Recognized E60389

Certified LR20812

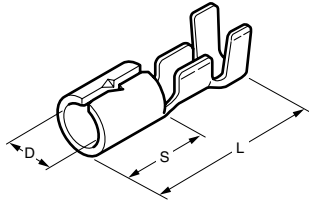
Model No.	Standard	Applicable wire			Material	Finish	Dimensions(mm)				Q'ty / reel
		mm ²	AWG #	Insulation O.D. (mm)			D (dia.)	L	S	Material thickness	
SGM-21-5		0.3 to 0.75	22 to 18	1.7 to 2.9	Brass	—	3.96	17.5	8.9	0.5	5,000
SGM-21T-5						Tin-plated					
SGM-51-5		0.5 to 2.0	20 to 14	2.6 to 3.8		—					
SGM-51T-5						Tin-plated					

RoHS compliance

BULLET TERMINAL

Nominal 5.0mm dia. bullet female

Type A



Recognized E60389

Certified LR20812

Model No.	Standard	Applicable wire			Material	Type	Finish	Dimensions(mm)				Q'ty / reel
		mm ²	AWG #	Insulation O.D. (mm)				D (dia.)	L	S	Material thickness	
SGF-21-5		0.3 to 0.75	22 to 18	1.7 to 2.9	Brass	A	—	3.96	17.5	6.4	0.4	5,000
SGF-21T-5							Tin-plated					
SGF-51-5		0.5 to 2.0	20 to 14	2.6 to 3.8			—					
SGF-51T-5							Tin-plated					

Crimping machine, Applicator

Contact	Crimping machine	Applicator		
		Crimp applicator	Dies	Crimp applicator with dies
SGM-51(T)-4	AP-K2N	MK-L	MK/SGM-51-4	APLMK SGM51-4
		—	—	—
SGF-41(T)-4		MK-L	MK/SGF-41-4	APLMK SGF41-4
		—	—	—
SGM-21(T)-5		MK-L	MK/SGM-21-5	APLMK SGM21-5
		—	—	—

Contact	Crimping machine	Applicator		
		Crimp applicator	Dies	Crimp applicator with dies
SGM-51(T)-5	AP-K2N	MK-L	MK/SGM-51-5	APLMK SGM51-5
		—	—	—
SGF-21(T)-5		MK-L	MK/SGF-21-5	APLMK SGF21-5
		—	—	—
SGF-51(T)-5		MK-L	MK/SGF-51-5	APLMK SGF51-5
		—	—	—

* Compliant with RoHS.

* Refer to "General Instruction and Notice when using Terminals and Connectors" at the end of this catalog.

* Contact JST for details.