

## SUMMARY

### # Wires

Low voltage 8



*Image is for illustrative purpose only*

Series 1M  
Termination type Female crimp  
IP rating 68  
AWG wire size 26.00 - 22.00  
Cable Ø 4.85 - 9.70 mm  
Status active  
Matching parts [FMU.1M.308.XLCT](#)

### Download

[Request a quote](#)

[Catalog](#)

## TECHNICAL DETAILS

### Mechanics

Shell Style/Model PE\*: Fixed receptacle, nut fixing and mold stop  
Keying 3 keys (beta=130, gamma=100, plug: male contacts, receptacle: female contacts)  
Housing Material Aluminium (nickel plated [SAE AMS QQ N 290], anthracite color) shell and nut, other pieces bronze/brass  
Weight 8.57 g

### Performance

Configuration 1M.308 : 8 Low Voltage  
Insulator L: PEEK  
Rated Current 5.0 Amps

### Specifications

Contact Type: Crimp  
Contact Retention: 22 N  
Contact Dia.: 0.7 mm (0.028in)  
Bucket Dia.: 0.8 mm (0.031in)  
Min. Conductor: 0.14 mm<sup>2</sup> (AWG 26)  
Max. Conductor: 0.34 mm<sup>2</sup> (AWG 22)  
R (max): 6.1 mOhm  
Test voltage (kV rms) Contact-contact: 1.3

*LEMO products and services are provided "as is". LEMO makes no warranties or representations with regard to LEMO product & services or use of them, express, implied or statutory, including for accuracy, completeness, or security. The user is fully responsible for his products and applications using LEMO components.*

Test voltage (kV rms) Contact-shell: 1.1

## Others

Endurance (Shell): 3000 mating cycles

Temp (min / max): -20°C / +200°C

Humidity (max): 21 days at 95%

Gunfire vibration: 25 Hz - 2000 Hz, 3 axis (Apache helicopter)

Vibration-Sine: 30 g, 3 axes, 12 hr [10 Hz - 2000 Hz]

Vibration-Random: 37.8 g rms - 3 axes, 4 hr amb [50 Hz - 2000 Hz]

Shock Resistance: 300 g [ 3 ms]

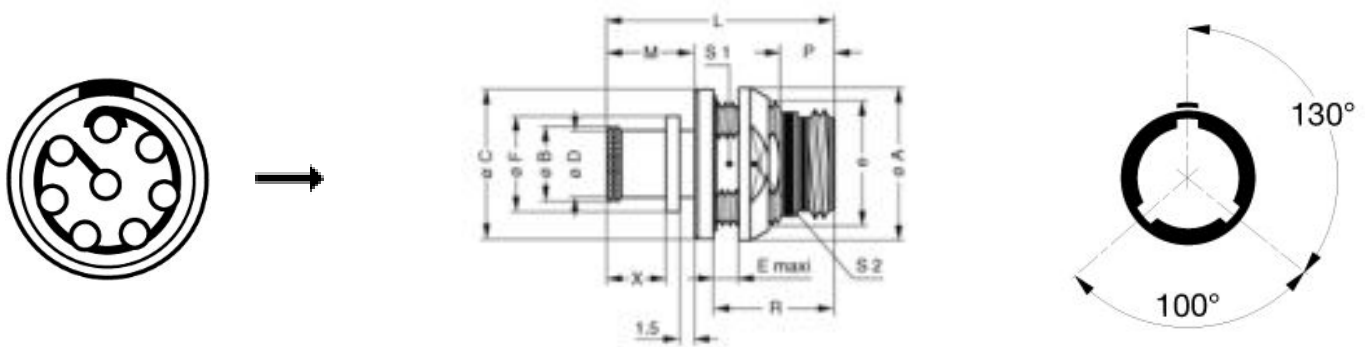
Lighting strike EIA 364-75: 10K amps - 6 times

Thermal shock: 5 cycles: -65°C to +150°C

EMI Shielding EIA 364-66A: >= 80 dB (1 GHz), >=70 dB (3 GHz), >= 58 dB (6 GHz), >= 40 dB (10 GHz)

Salt Spray Corrosion: max. 48 hr

## DRAWINGS



## Dimensions

	A	B	C	D	E	Lr	Ls	M	P	R	S1	S2	e
mm.	18	10.5	17.8	9.7	5	25.6	25.6	9.7	5.3	13.8	12.5	16	M14x1.00
in.	0,71	0,41	0,70	0,38	0,20	1,01	1,01	0,38	0,21	0,54	0,49	0,63	

## RECOMMENDED BY LEMO

LEMO products and services are provided "as is". LEMO makes no warranties or representations with regard to LEMO product & services or use of them, express, implied or statutory, including for accuracy, completeness, or security. The user is fully responsible for his products and applications using LEMO components.

## Tools

Crimp Tool:	<a href="#">DPC.91.701.V</a>
Crimp settings:	AWG/Selector = 22-24-26/6-5-5
Positionner:	<a href="#">DCE.91.070.3MVM</a>
Extractor:	<a href="#">DCF.93.070.4LT</a>
Replacement contact:	EGN.0M.655.ZZM
Spanner wrench:	<a href="#">DCM.65.000.4PA</a>

## Cables

*LEMO products and services are provided "as is". LEMO makes no warranties or representations with regard to LEMO product & services or use of them, express, implied or statutory, including for accuracy, completeness, or security. The user is fully responsible for his products and applications using LEMO components.*