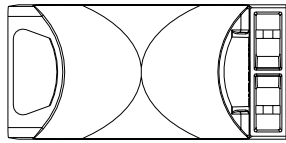


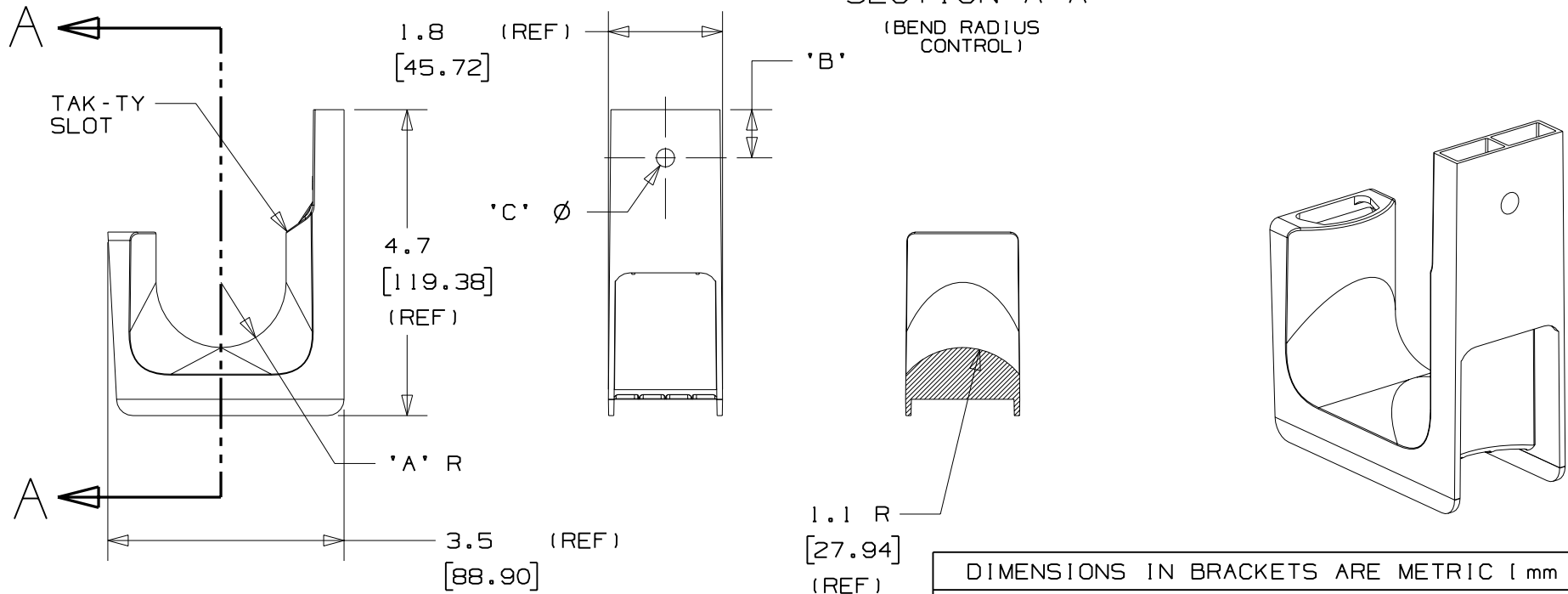
THIS COPY IS PROVIDED ON A RESTRICTED BASIS AND IS NOT TO BE USED IN ANY WAY DETRIMENTAL TO THE INTERESTS OF PANDUIT CORP.



PANDUIT PART NO.	DIMENSIONS			WEIGHT lbs 10 (g) pcs
	'A'	'B'	'C'	
JP2W-___	1.0 (25.4) (REF)	0.73 (18.54)	0.27 (6.86)	1.27 (576.1)

SECTION A-A

(BEND RADIUS CONTROL)



NOTES:

- SEE CURRENT PRICE SHEET FOR PART NUMBER SUFFIX DESIGNATION FOR PACKAGE SIZE AND PRODUCT COLOR.
- MATERIAL: NYLON 6/6
- PRODUCT IS DESIGNED TO SUPPORT A MAXIMUM 2.0" (50.8) DIAMETER BUNDLE. RECOMMENDED MAXIMUM STATIC LOAD: 30 lbs.
- PRODUCT INCORPORATES FEATURES ALLOWING USER TO RETAIN CABLE BUNDLES IN J-PRO J-HOOK WITH TAK-TY CABLE TIES UP TO 3/4" WIDE.
- PRODUCT MARKINGS:
 cULus logo and statement:
 "SUITABLE FOR USE IN AIR HANDLING SPACES IN ACCORDANCE WITH SECTION 300-22 (C) & (D) OF THE NATIONAL ELECTRIC CODE."
 ULC logo and statement:
 "IN ACCORDANCE WITH CAN/ULC S-102.2 IN SINGLE UNITS OR PAIRS, 4 ft (1220mm) MIN. SPACING, FSR=0, SDC=20."

DIMENSIONS IN BRACKETS ARE METRIC [mm]

CAD FILENAME/LAYERS G02888FJ_PB_JP2W_02

PANDUIT CORP. TINLEY PARK, ILLINOIS

J-PRO J-HOOK
WALL MOUNT (JP2W-___)

UNLESS OTHERWISE SPECIFIED,
DIMENSIONAL TOLERANCES ARE:
(.X) ±0.05 (1.31) (.XXX) ±0.010 (0.25)
(.XX) ±0.02 (0.5) ANGLES ± 5°

UNLESS OTHERWISE SPECIFIED,
ALL DIMENSIONS ARE GIVEN
IN INCHES, THIRD ANGLE PROJECTION.

DRAWN BY JAD	MAT'L:	SCALE NONE
DATE 4/7/04	SEE NOTE 2	DRAWING NO. GB2888FJ
CHK'D		DWG SIZE A

2	8/29/05	JAD		COMPELTLY REVISED, RE-RELEASE WITH NEW GEOMETRY	GB2888FJ	2			
REV	DATE	BY	CHK	DESCRIPTION	ECN	R	CUST	SUP	