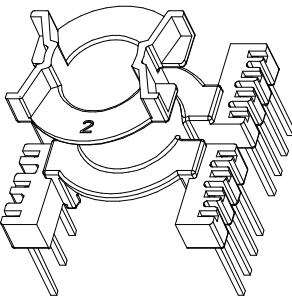
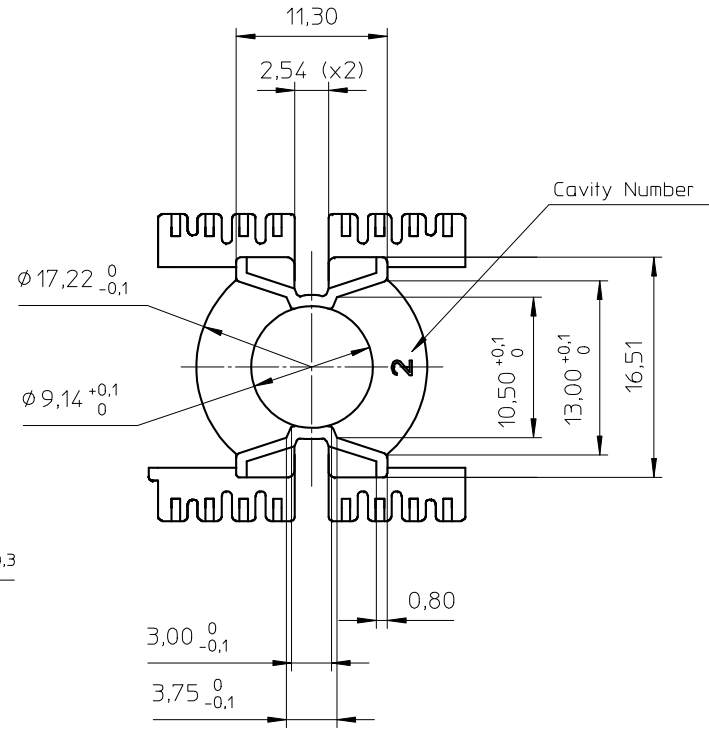
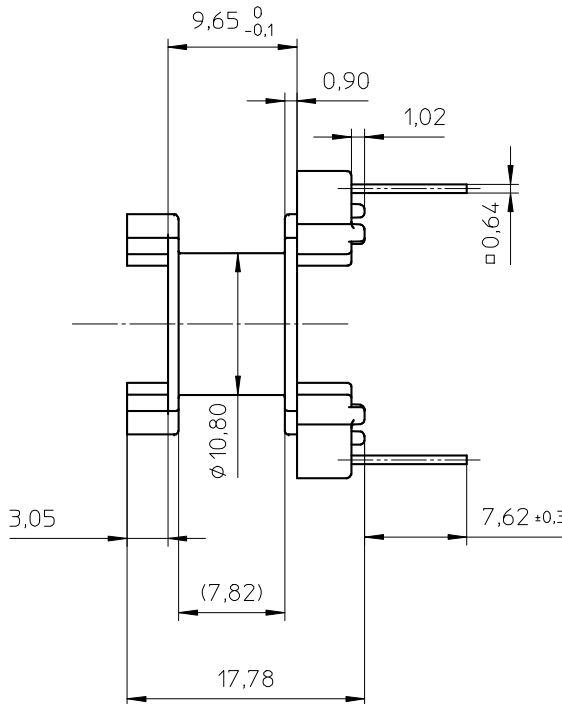
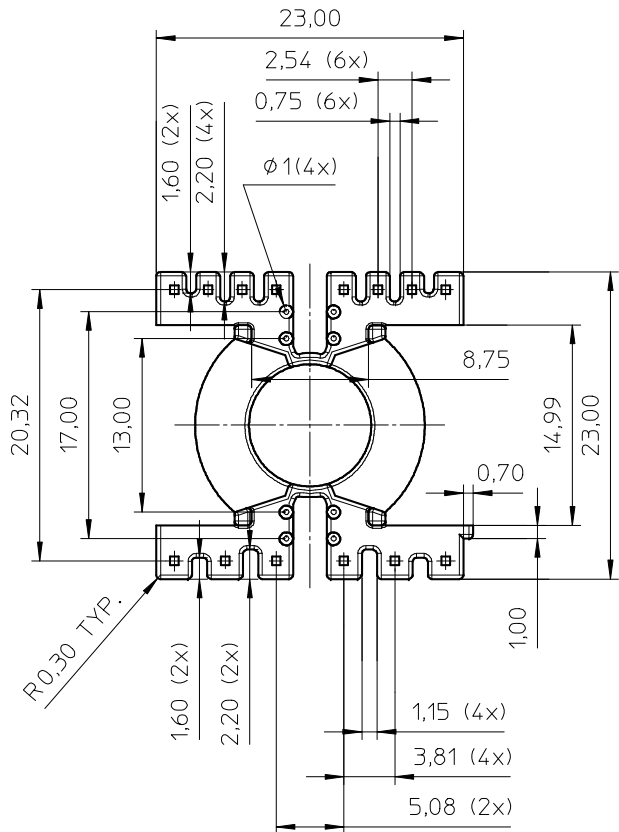


FERROXCUBE



Resistance to soldering heat: acc to IEC 60 068-2-20 Part 2, Test Tb, method 1B 350°C-3,5s.
Solderability: acc to IEC 60 068-2-20 Part 2, Test Ta, method 1, 235°C-2 sec.

UN-D1041		TOLERANCES UNLESS OTHERWISE STATED TOLERANTIES TENZU ANDERS VERMELD			
		DIMENSION MAAT	ANGLE HOEK		
GENERAL ROUGHNESS ALGEMENE RUWHEID	UNIT EENH. mm	MATERIAL MATERIAAL Rynite FR530 (PET) ,glass-reinforced (color black) UL file number: E41938 - UL94V-0. Pin material: Copper-plated steel wire, Sn plated.		ASSEMBLY NO. SAMENSTELLINGSNR.	QUANT AANTAL
SCALE SCHAAL	PROJ. EUROP.	TREATMENT BEHANDELING		PATTERN NO./MODELNR.	
CLASSNO.				ORDER NO./ORDERNR	QUANT AANTAL
		CPV-PQ20/16-1S-14P-Z		4335 060 26711	07-09-03 07-09-20
NAME NAAM MPA	A.Wojtasz	SUPERS. VERV. DAT.	07-09-03	SH BL. 110 - 001	010
CHECK CONTR.		Property of Eigendom van		© FERROXCUBE 2007	
					A3