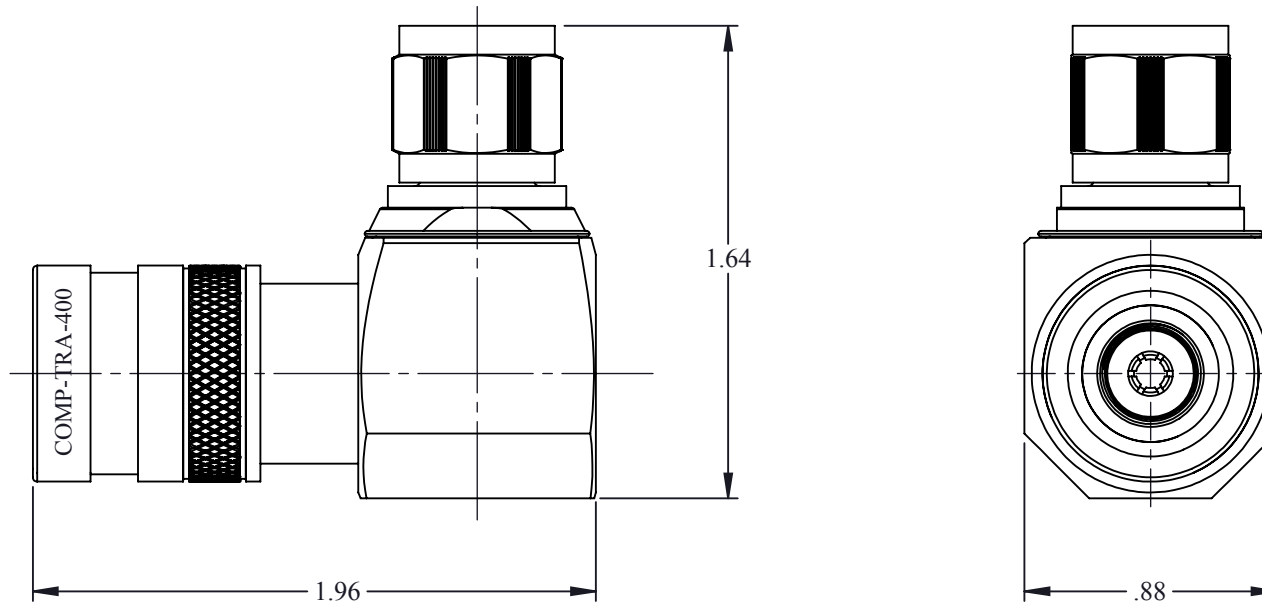


| | | | |
|-----|--------------------|----------|------|
| REV | DESCRIPTION | DATE | APPR |
| G1 | CHANGED DWG FORMAT | 10/15/15 | JDMc |



SPECIFICATIONS:

IMPEDANCE: 50 Ohms
 FREQUENCY RANGE: 0-7.0 GHz
 TEMPERATURE RANGE: -55°C TO 85°C
 WATERPROOF DESIGN: IP68 RATED

| | | | |
|----|-------------|---------------------------------------|-------|
| 15 | 861001-1008 | O-RING | 1 |
| 14 | 12381-01 | NUT RETAINER, 50 OHM, TNC | 1 |
| 13 | 12019-01 | GASKET, 50 OHM, TNC MALE | 1 |
| 12 | 12018-01 | FRONT BODY, 50 OHM, TNC MALE, 400, RA | 1 |
| 11 | 11942-02 | NUT, 50 OHM, TNC | 1 |
| 10 | 11831-01 | INSTALLATION GUIDE, 50 OHM, BRAIDED | .005 |
| 9 | 11734-01 | INSULATOR, 50 OHM, TNC MALE, 400 RA | 1 |
| 8 | 11733-01 | PIN, 50 OHM, TNC MALE, 400, RA | 1 |
| 7 | 11677-01 | RETAINING COMPOUND, LOCTITE 680 | .0004 |
| 6 | 11673-01 | INSULATOR, 50 OHM, N MALE, 400, RA | 1 |
| 5 | 11672-01 | INSULATOR, 50 OHM, N MALE, 400, RA | 1 |
| 4 | 11671-01 | BODY, 50 OHM, N MALE, 400, RA | 1 |
| 3 | 11561-01 | COMPRESSION RING, 50 OHM, N MALE, 400 | 1 |
| 2 | 11559-01 | POST, 50OHM, N MALE, 400 | 1 |
| 1 | 11558-01 | CLAMP, 50 OHM, N MALE, 400 | 1 |
| # | PART # | DESCRIPTION | QTY. |

UNLESS OTHERWISE SPECIFIED

ALL DIMENSIONS ARE FOR REFERENCE ONLY. ALL DIMENSIONS ARE IN INCHES. INTERPRET DIMENSIONS PER ASME Y14.5M-1994.

RoHS
COMPLIANT

| | | |
|-----------|--------------|----------|
| | NAME | DATE |
| DRAWN | C. ZUÑIGA | 10/15/15 |
| APPROVED | | |
| CBL GROUP | N/A | |
| CODE: | 001787 | |
| MATERIAL: | BRASS | |
| FINISH: | WHITE BRONZE | |

RF INDUSTRIES

7610 MIRAMAR RD. SAN DIEGO, CA. 92126
 858-549-6340 FAX 858-549-6345

THESE DRAWINGS AND SPECIFICATIONS ARE THE PROPERTY OF RF INDUSTRIES LTD AND SHALL NOT BE REPRODUCED, COPIED OR USED AS A BASIS FOR MANUFACTURE OR SALE OF EQUIPMENT OR DEVICES WITHOUT WRITTEN PERMISSION.

TITLE: **TNC MALE R/A FOR 400**

| | | | |
|-------|--------------|--------|-----|
| SCALE | DWG. NO. | SHEET | REV |
| NTS | COMP-TRA-400 | 1 OF 1 | G1 |