



**ANATECH ELECTRONICS INC**  
RF & Microwave Filters & Products

# 8210 MHz Cavity Bandpass Filter

**Part Number: AE8210B9129**



## Electrical specifications

**Center Frequency:** 8210 MHz  
**Input / Output Impedance:** 50 Ohms  
**Passband:** 8030-8390 MHz  
**Passband Insertion Loss:** <3 dB  
**Rejection:** >23 dB @ 0-7940 MHz  
**Rejection 2:** >23 dB @ 8480-12000 MHz

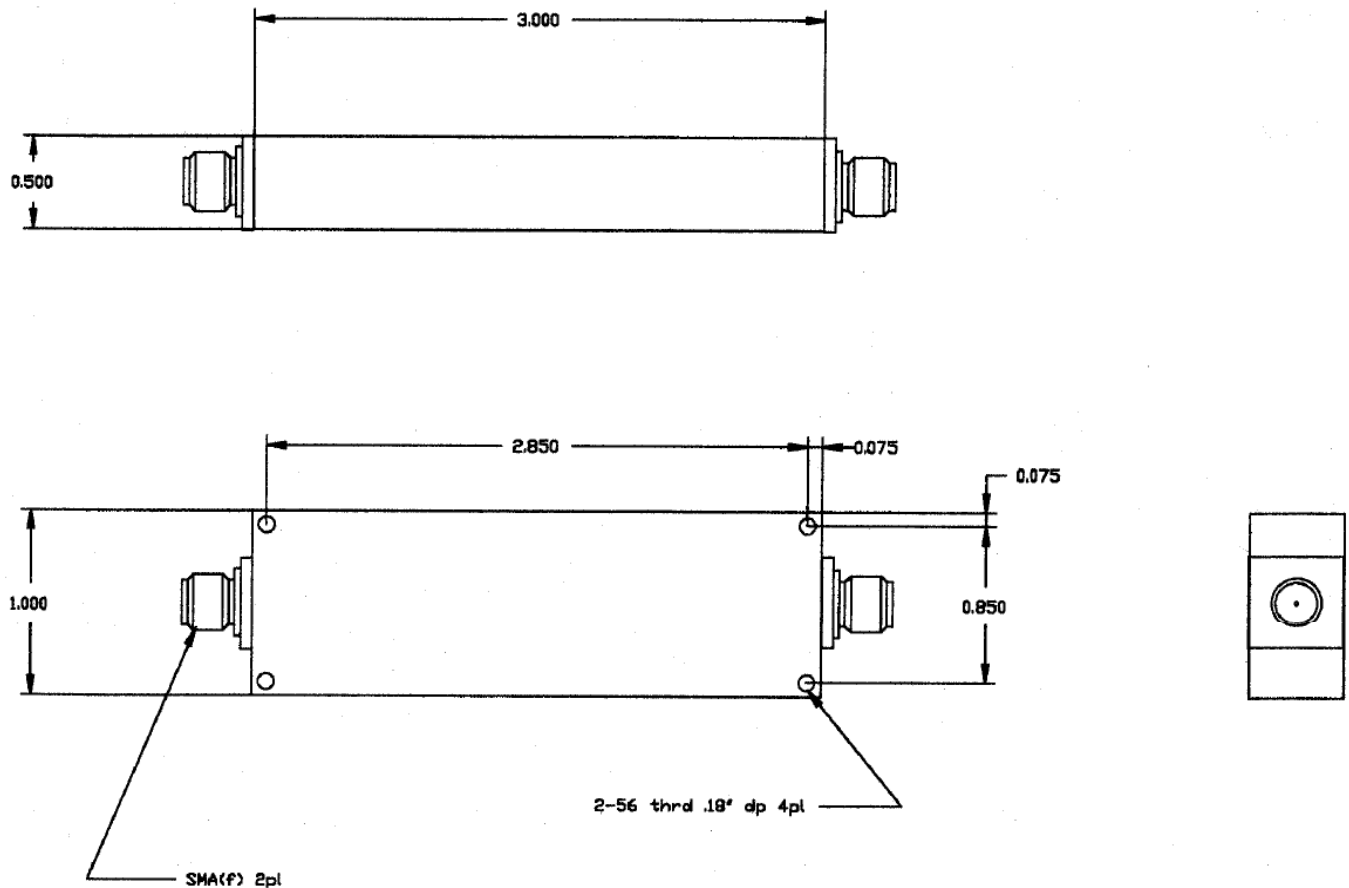
## Mechanical

**Connector Type:** SMA (F)  
**Dimensions:** 3 x 1 x 0.75 inches

## Environmental

**Operating Temperature:** -45 to +85 deg.C  
**Storage temperature:** -65 to +95 deg.C  
**Shock:** 20 G's, ½ sine, 11ms  
**Vibration:** 10 G's, 10-2000Hz  
**Relative Humidity:** 0-95%

## Outline Drawing:



2 decimal places: +/-0.01 inches [ +/- 0.3mm]  
 3 decimal places: +/- 0.005 inches [ +/- 0.13mm]  
 Angles: +/- 1 Deg.

When max dimensions are called out the above tolerances do not apply as long as it is under the max call out.



**ANATECH ELECTRONICS INC**  
RF & Microwave Filters & Products

# 8210 MHz Cavity Bandpass Filter

Part Number: AE8210B9129



## Response Plot:

