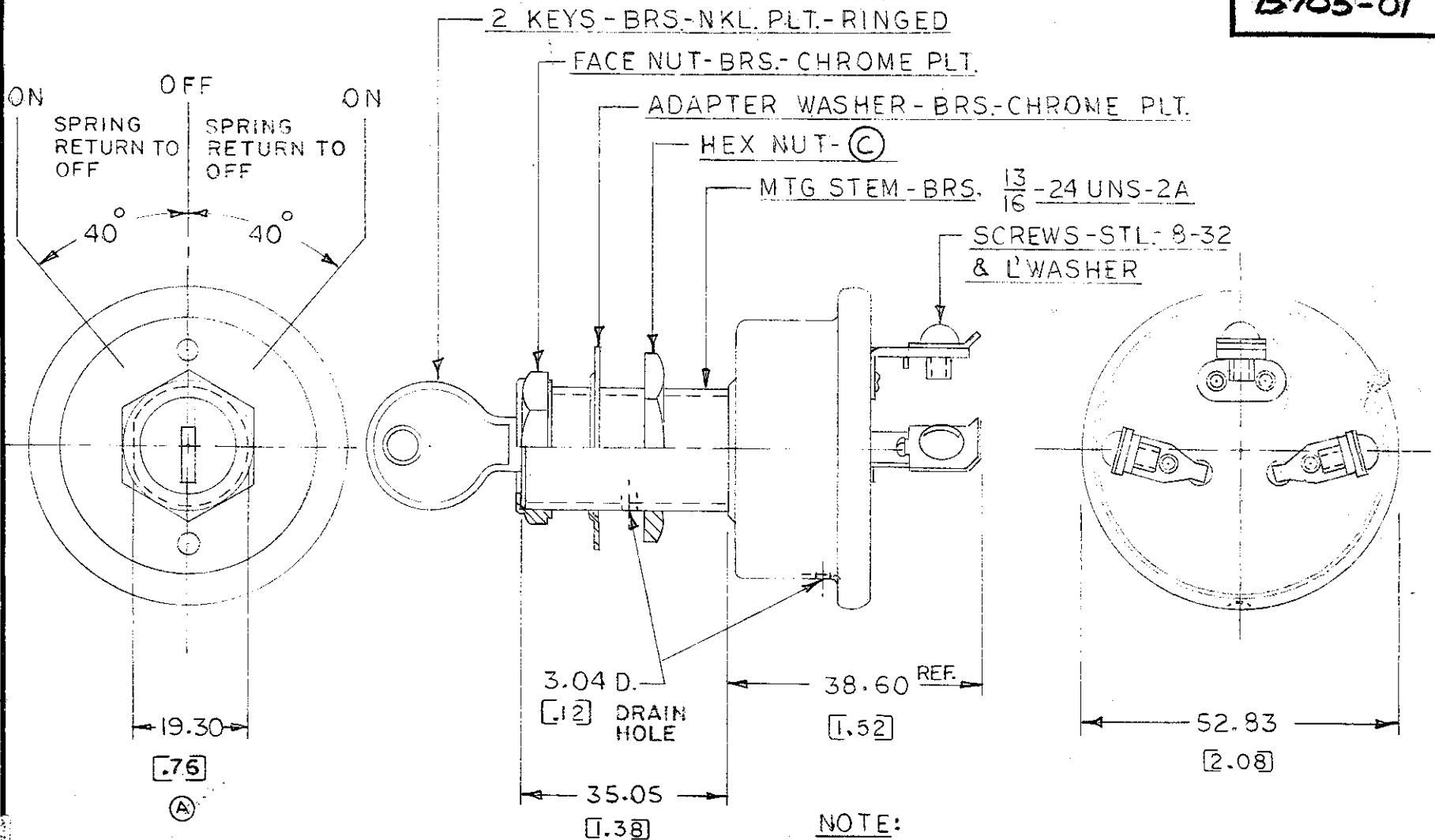


EX-17290

75705-01



NOTE:  
 (B) 1. ALL STL. PARTS PLATED

2. DIMENSIONS: MILLIMETERS [INCH]

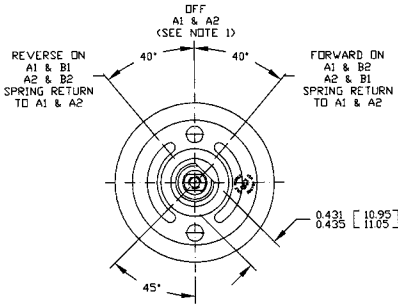
(A) 3. O-RING SEAL AT MTG. STEM

Confidential Property of Cole Hersee

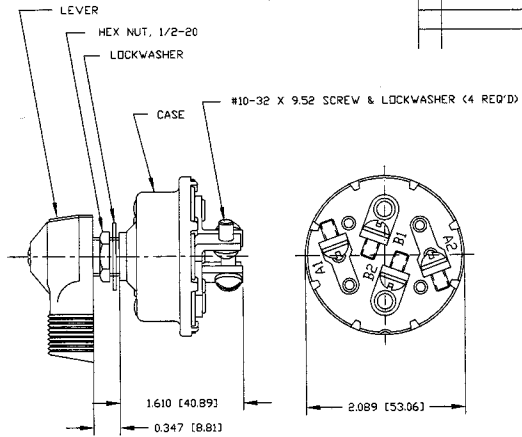
DO NOT SCALE

LET	WAS	DATE	BY	LET	WAS	DATE	BY	MATERIAL	DRAWN	CHECKED	APPR'D.	SCALE	DATE DRAWN
								—	EA	CS 7-29-75		1=1	5-23-75
								FINISH	<b>COLE-HERSEE COMPANY</b> BOSTON, MASS. 02127, U.S.A.				DATE RECEIVED
								—					
				C	ECN	06023	2-2-06		<b>FORWARD &amp; REVERSE SWITCH</b>				75705-01
				B	25734	10/6/01							
								TOLERANCES					
								FRACTIONAL ±					
								DECIMAL ±0					

Revision Control Record			
Rev.	Description of Change	ECN No.	Date
B	ADDED CH LOGO	D1462	8/7/01



VIEW LESS LEVER & HARDWARE



- NOTES:
1. ALL STEEL PARTS PLATED
  2. ALL DIMENSIONS ARE REF. ONLY UNLESS NOTED OTHERWISE
  3. A1 & A2 CIRCUITS MUST BREAK BEFORE ANOTHER CIRCUIT MAKES
  4. SILVER LAMINATED CONTACT SURFACES
  5. ALL HARDWARE TO BE ASSEMBLED

**TOLERANCES** - Unless otherwise specifically called, the following are default tolerances:  
 \* Linear Dimensional Dimensional  $\pm .005$   
 \* Surface Dimensional Dimensional  $\pm .005$   
 \* Angular Dimensional  $\pm 1.5$  Deg  
 \* Metric: Refer to equivalent English Dimensional Tolerance  
 \*\*\* NOTE: All tolerances are  $\pm$  unless otherwise noted.  
**Dimensional Callouts** - All dimensions are expressed in inches unless those shown in brackets [ ] are expressed in millimeters.  
**3D MODEL** - An Autodesk PLM 360 Model is available for this drawing.  
 Used On: EX78712-02 REF Scale: 1:1  
 or Ref: 83270988

**RESPONSIBILITY** - This Engineering Drawing, and the information contained herein, is proprietary to Cole Hersee Company and may not be disclosed, reproduced, or in any way used, in whole or in part, without the express written consent of an authorized representative of Cole Hersee Company.  
**DESIGN CONTROL** - It is the responsibility of the individual using this drawing to ensure that the final design meets and agrees with the version level of the Controlled Document (Master Drawing). This is a fully controlled and controlled when otherwise specified notes.  
 3D NOT SHOWN - Dimensional notation may occur during printing.  
 Drawn By: SAM Date: 6/22/99  
 Responsible: N/A

**Key for Special Characteristics:**  
 \* Critical Characteristics: relating to Safety and/or Regulatory Compliance  
 X Significant Characteristics: relating to Process Control (PCT)  
 \* Control Dimensions: relating to Form - Fit - Function as defined by Cole Hersee Company and/or the Customer.  
 Note that the identification of any characteristic as being "Special" does not alter the requirement that ALL specifications & tolerances must be met.  
 Pg. 1 of 1

**Cole Hersee Co.**  
 20 Old Colony Ave., South Boston, MA, 02127  
 Phone: 617-258-2100 Web: www.colehersee.com

**Description:** SW, ROTARY 3POS

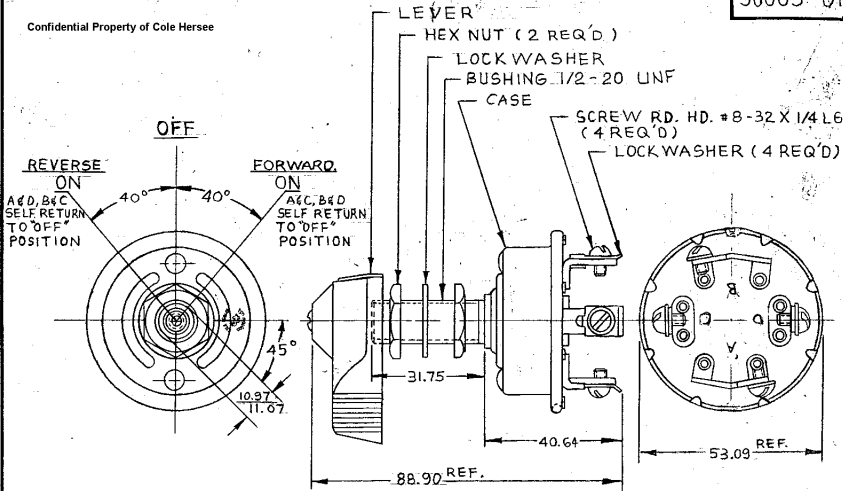
**Drawing / Part No.:** 75712-04

**Current Rev.:** B

90005-01

25 .010  
 37 .432  
 07 .436  
 75 1.250  
 84 1.600  
 09 2.090  
 90 3.500

Confidential Property of Cole Hersee



NOTES:  
 1. SILVER LAMINATED CONTACT SURFACES  
 2. ALL STEEL PARTS PLATED.

METRIC

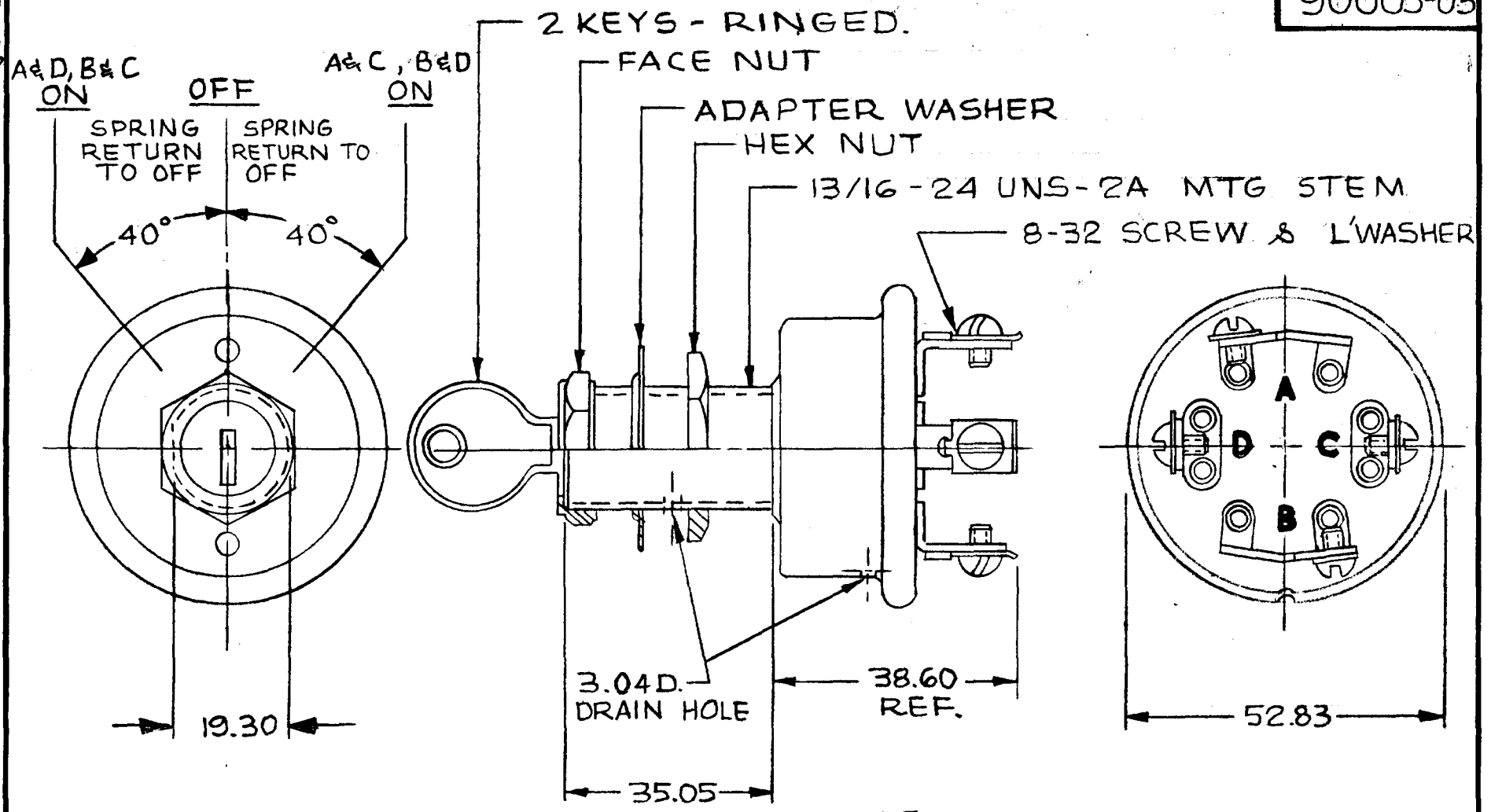
DO NOT SCALE

LET.	WAS	DATE	BY	LET	WAS	DATE	BY	MATERIAL NOTED	DRAWN	CHECKED	APPR'D.	SCALE	DATE DRAWN
									NB	AF		1:1	11-6-67
								FINISH NOTED	Cole Hersee Co. MANUFACTURING DIVISION, 8000 BOSTON BL., WILMINGTON, DEL.				DATE BLUEPRINT
				G	01452	3/61	JH	TOLERANCES DECIMAL ±					SW, 3POS. ROTARY
				F	ECW # 99191	5/1888	JEF	METRIC ± .25					
				E	REDRAWN	5/490	BL						

MM IN  
 .25 .010  
 3.04 .120  
 19.30 .760  
 35.05 1.380  
 38.60 1.520  
 52.83 2.080

90005-03

NPM 6-1-77 EX-17956



NOTE:  
 1. ALL STEEL PARTS PLATED  
 2. "O" RING SEAL AT MTG. STEM

METRIC

DO NOT SCALE

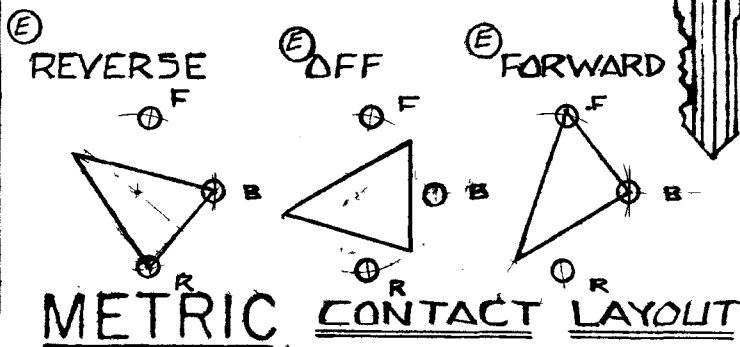
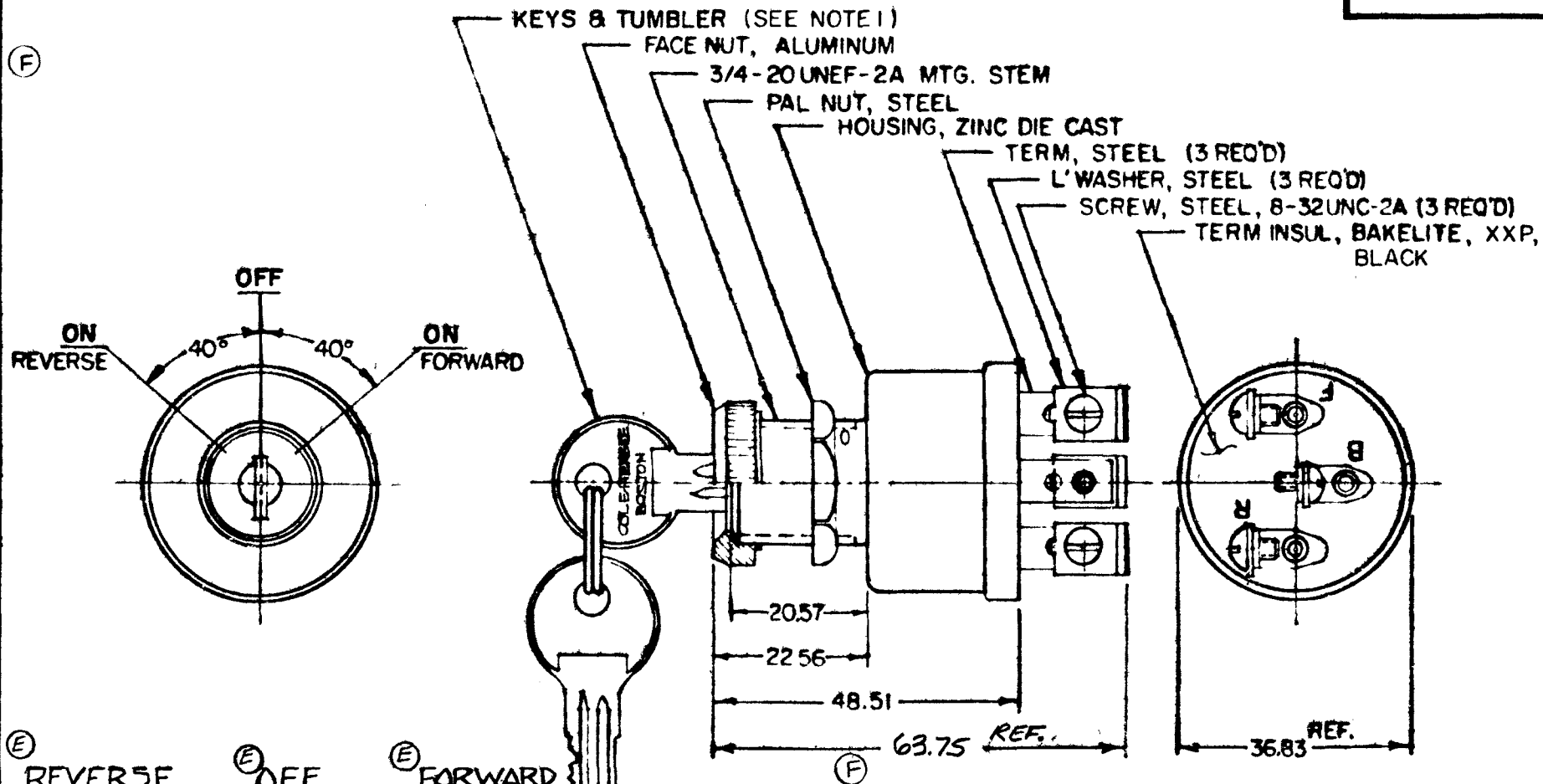
LET.	WAS	DATE	BY	LET	WAS	DATE	BY	MATERIAL	DRAWN	CHECKED	APPR'D	SCALE	BASIC W/CASE & BUSHING REV'D, TUMBLER ASS'Y	DATE DRAWN
								#	KG			1:1		5-10-77
								FINISH						DATE BLUEPRINT
													<b>CH</b> Cole Hersee Co. <small>20 HUNDREDTH AVENUE SOUTH BOSTON, MA U.S.A. 02127</small>	
								TOLERANCES					SWITCH, FWD & RVS	90005-03
								DECIMAL ±						
								METRIC ± .25						

CH-188(4-78)

WM  
 .25  
 .57  
 .88  
 1.23  
 1.51  
 1.75

IN  
 .010  
 .010  
 .010  
 .010  
 .010  
 .010

95593



- NOTE:
- SUPPLIED IN SETS OF 10 MATING KEYS & CYLINDERS, CH-501 THRU CH-506, -510, -512, -516 & CH-523
  - ADAPTER FACE NUT PERMITS ASSEMBLY OF SWITCH TO 3/4 & 7/8 DIA PANEL HOLES
  - ALL STEEL PARTS PLATED

EX-14784

DO NOT SCALE

LET	WAS	DATE	BY	LET	WAS	DATE	BY	MATERIAL NOTED	DRAWN	CHECKED	APPRV D	SCALE	DATE DRAWN
									GAK	11-14-79		1:1	5-25-67
				G	FOR ZINC 25239	10/23/72	JH	FINISH NOTED	 20 OLD COLON AVENUE SOUTH BOSTON, MA U.S.A. 02127				DATE BLUEPRINT
				I	69.51/11806	11/29/65	VB	TOLERANCES					3 POSITION REVERSING SWITCH
				E	ADDED VIEWS	4-7-83	VB	DECIMAL ± .010					
				D	REDRAWN	11-9-79	RR	METRIC ± .25					

CH 188(4 78)