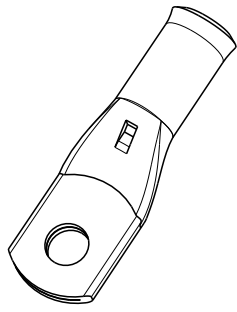
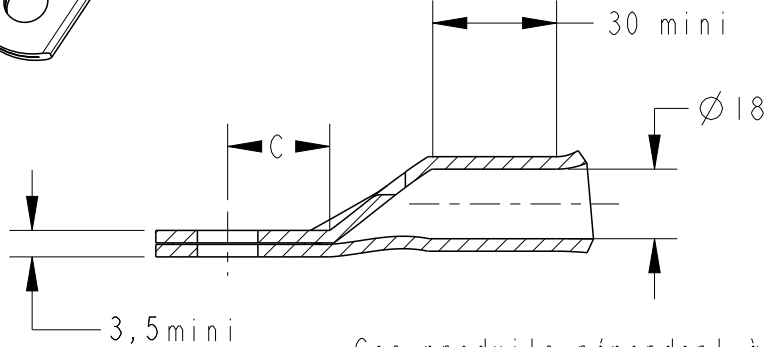


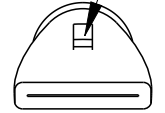
LOC		DIST		REVISIONS				
P	LTR REV	DESCRIPTION MODIFICATIONS			DATE	DWN DESS.	APVD APP.	
	D	MISE A JOURS / AJOUT NOTA			07DEC2009	BG	GP	
	E	ECR-11-018538			07SEP2011	LP	NA	
	F	ECR-13-003219			20-Feb-13	GC	NA	



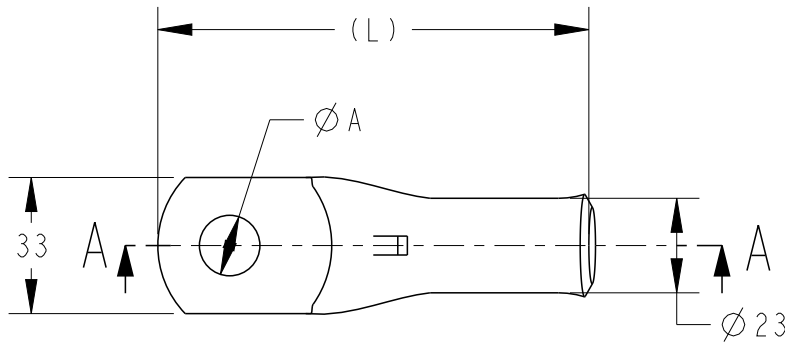
COUPE A-A



Inspection hole




Ces produits répondent à la norme NFC 20-130.
 These products are NFC 20-130 compliant.
 * Bornage hors norme / hole are not standard compliant



(L)	C	ØA	DESCRIPTION	PART NUMBER
88	16,3	12,8	XCT 185-12	709822-2
88	16,3	14,5	XCT 185-14	709822-3
88	16,3	16,5	XCT 185-16	709822-4
88	16,3	*10,3	XCT 185-10	709822-8

- 1 - MATERIAL = TINNED COPPER
- 2 - Marking in depth: logo-section-hole-Made in France +
- 3 - CABLE SECTION = 350 MCM or 185 mm²
- 4 - GROOVE E185Cu OR DIE (Punch 17PC240+ Die 17MI85)

TOLERANCES UNLESS OTHERWISE SPECIFIED: -
 TOLERANCES NON SPECIFIEES: -

DIMENSIONS: mm	DWN/DESSINE D. LEGUY	15DEC00	MATERIAL MATIERE	CUIVRE		FINISH FINITION	ETAME		
	CHK/VERIFIE E. DEREY	-	 TE Connectivity						
TOLERANCES UNLESS OTHERWISE SPECIFIED: TOLERANCES NON SPECIFIEES (SUIV NB DE DECIMALES): 0 PLC/DEC: ±0 1 PLC/DEC: ±0 2 PLC/DEC: ±0 3 PLC/DEC: ±0 4 PLC/DEC: ±0 ANGLES ±	APVD/APPROUVE N. ALMEIDA	-							NAME TITRE
	PRODUCT SPEC SPEC. PRODUIT	-	SIZE FORMAT	CAGE CODE	DRAWING NO No PLAN	RESTRICTED TO RESERVE A			
	APPLICATION SPEC SPEC. APPLICATION	-	A4	00779	C=709822				
	WEIGHT MASSE APPROX.	-	CUSTOMER DRAWING /PLAN CLIENT		UNIQUEMENT POUR REFERENCE	SCALE EHELLE - / -	SHEET FEUILLE I	OF DE I	REV F

20

RELEASED FOR PUBLICATION
 LIBRE A LA DIFFUSION

ALL RIGHTS RESERVED.
 TOUS DROITS RESERVES.

THIS DRAWING IS UNPUBLISHED.
 DIFFUSION RESTREINTE

© COPYRIGHT 20