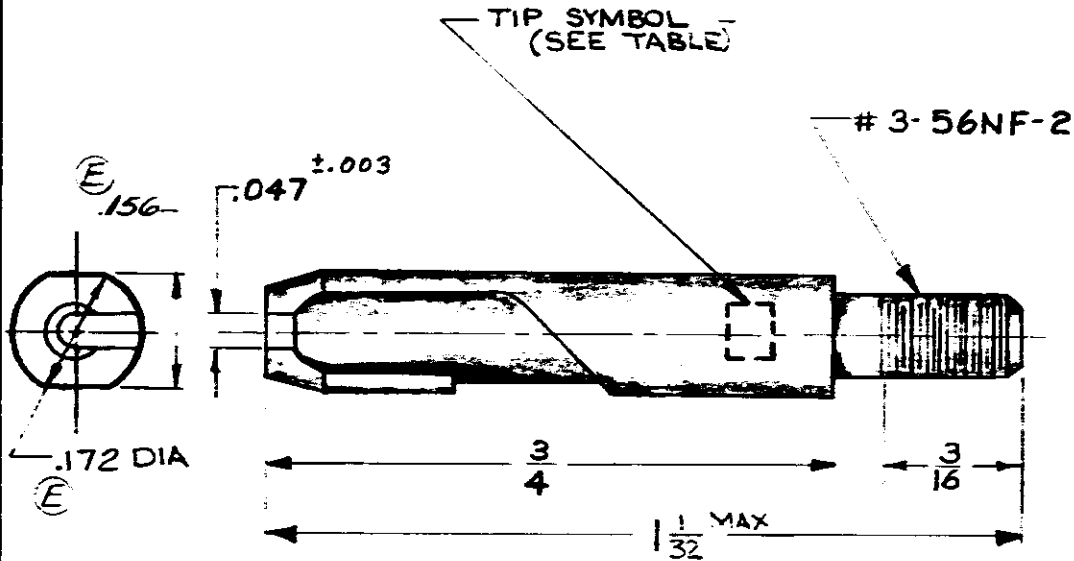


NUMBER  
C-395005



①	TIP NUMBER	TIP SYMBOL	USED ON
	395005	F	380306-1,-2,-5 380310-1,-2 380375-2 811167-1
	395005-1	F1	811170-1
②	395005-2	F2	495882-1

APPLICATION TOOLING ENGRS.  
CUTTING TOOL PRODUCTS DIV.

DIMENSIONS IN INCHES DO NOT SCALE PRINT

©1957 BY AMP INCORPORATED. ALL RIGHTS RESERVED. AMP PRODUCTS COVERED BY PATENTS AND/OR PATENTS PENDING.

**CUSTOMER COPY  
REFERENCE ONLY**

E-1	LCC M WAS R	PP	-	2/14/60
E	ADDED -2	41	(2)	4/23/60
D	REV PER HT-180	TE3	K	4/23/60
C	REDRAWN	48R	1/14/61	8/5/61
DR	D. RUNKLE	DE		
CHK	RUNKLE	APP	R. YOUNG	

MATERIAL AND FINISH



AMP INCORPORATED  
HARRISBURG, PENNA.

CLASS

WIRE — RANGE — INSULATION

TYPE

TOLERANCE EXCEPT AS NOTED ± .015 ± 1° 0'

SCALE 4-1

LOC M A

NO

C-395005

REV E-1

NAME

TIP-INSERTION TOOL