

4

3

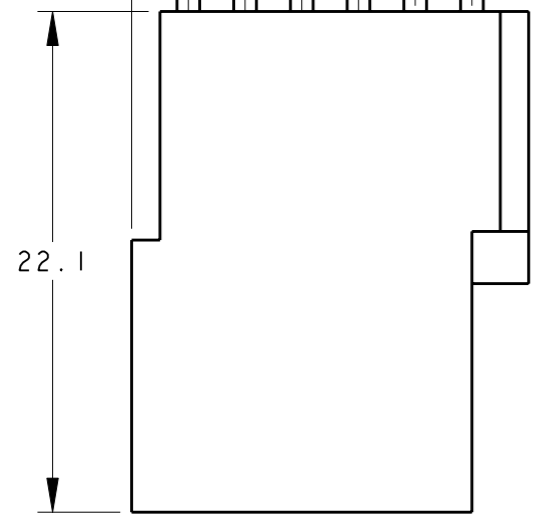
2

1

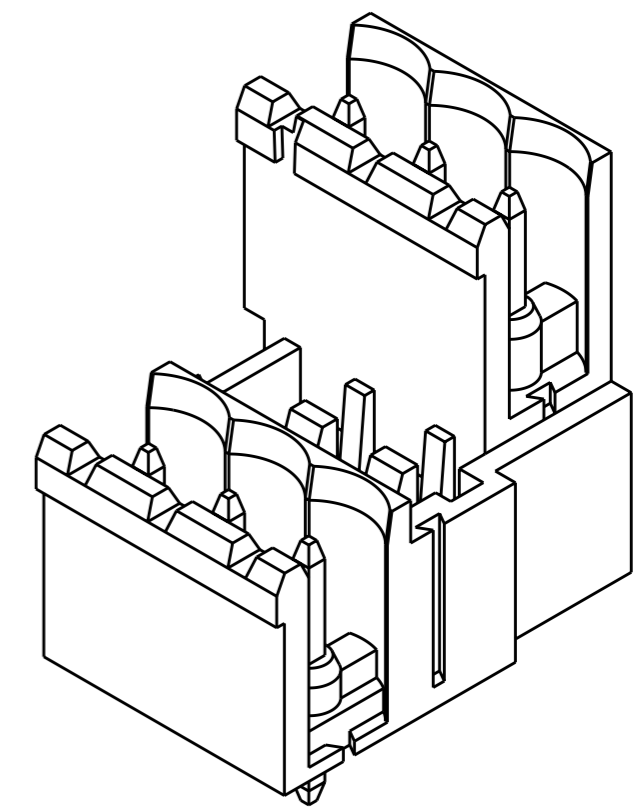
THIS DRAWING IS UNPUBLISHED. RELEASED FOR PUBLICATION 20
 © COPYRIGHT 20 Tyco Electronics AMP GmbH ALL RIGHTS RESERVED.

LOC	DIST	REVISIONS			
P	LTR	DESCRIPTION	DATE	DWN	APVD
FT	0	D1	REVISED PER ECO-12-007714	27APR2012	KH MS

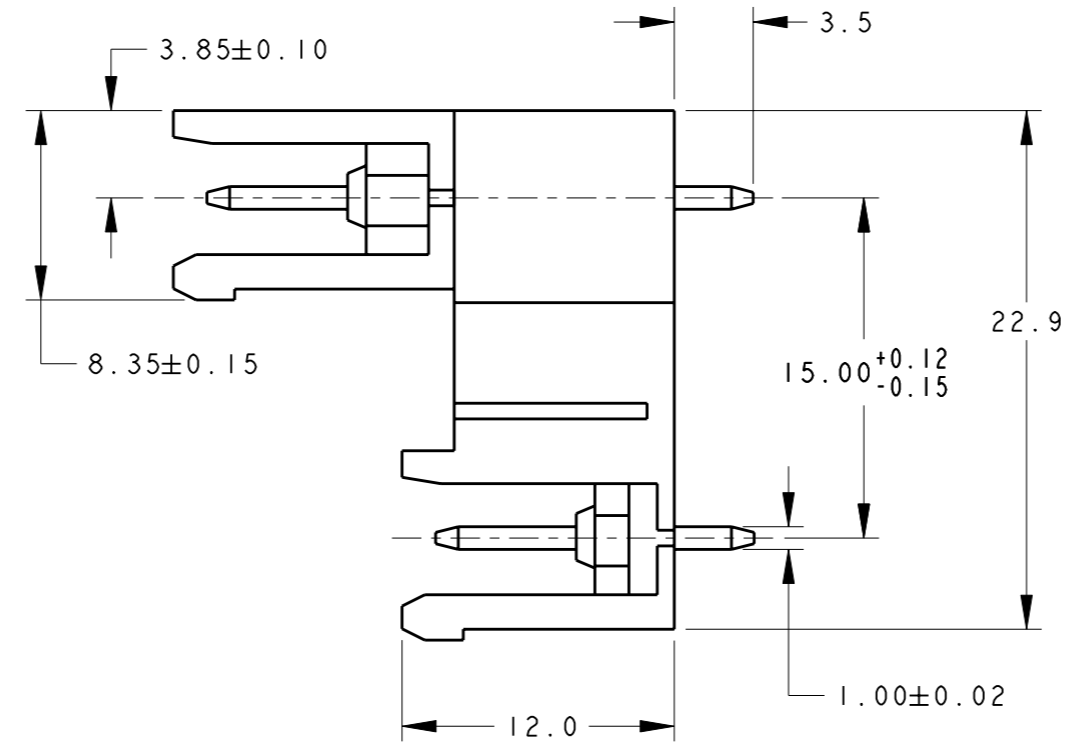
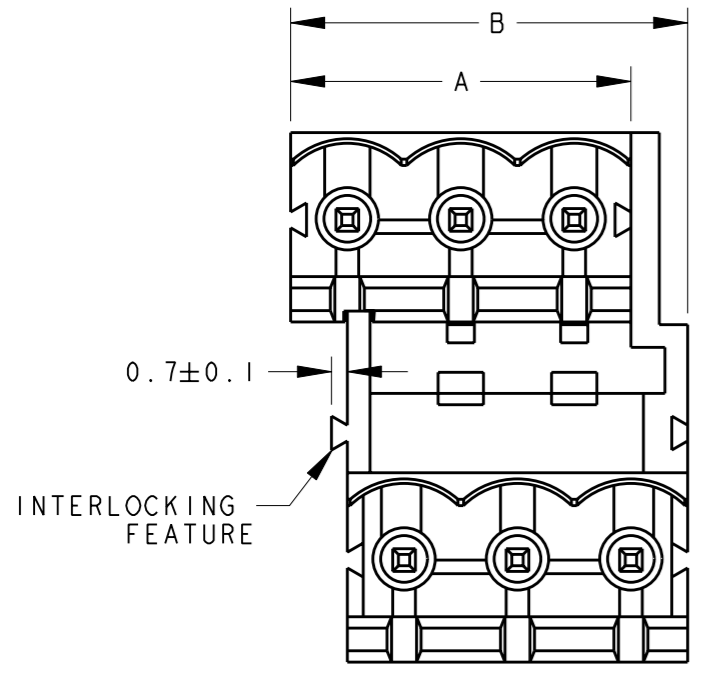
2.50±0.05
 5.00±0.08 ⁴
 2.5 REF
 1.00±0.02



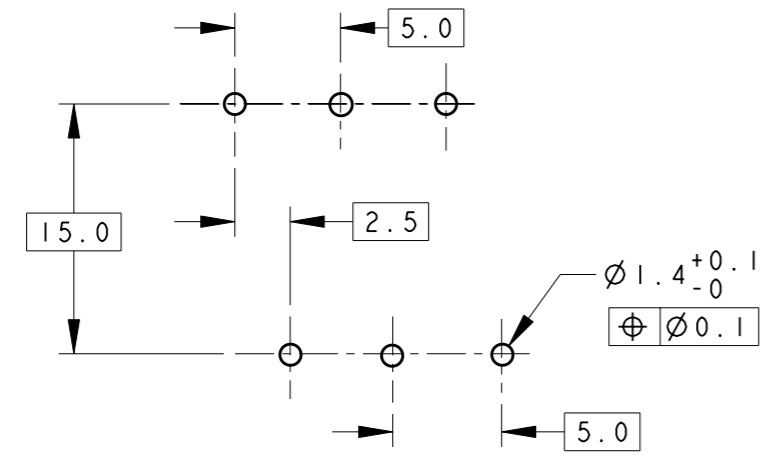
- ¹ MATERIALS AND FINISH
 HOUSING: PA 6-6, UL 94-V0, COLOR: SEE TABLE.
 TERMINAL: COPPER ALLOY, TIN PLATED.
- 2 SUITABLE FOR 1,6-2,4mm PC BOARD THICKNESS.
- 3 END-TO-END STACKABLE WITHOUT LOSS OF CENTERLINE SPACING.
- ⁴ NOT CUMULATIVE TOLERANCE.
- ⁵ PRELIMINARY PART NUMBER.



284056-3 AS SHOWN



⁵	BLACK	47.5	45.0	9	1-284056-9
⁵	BLACK	32.5	30.0	6	1-284056-6
⁵	BLACK	12.5	10.0	2	1-284056-2
⁵	GREEN	47.5	45.0	9	284056-9
⁵	GREEN	32.5	30.0	6	284056-6
	GREEN	27.5	25.0	5	284056-5
	GREEN	22.5	20.0	4	284056-4
	GREEN	17.5	15.0	3	284056-3
	GREEN	12.5	10.0	2	284056-2
	COLOR	B	A	NO OF POSN	PART NUMBER



RECOMMENDED PC BOARD LAYOUT

THIS DRAWING IS A CONTROLLED DOCUMENT.		DWN E. ZANOLINI 22JAN2002	TE Connectivity	
DIMENSIONS: mm		CHK E. ZANOLINI 22JAN2002		
TOLERANCES UNLESS OTHERWISE SPECIFIED:		APVD D. BLEVENOUR 22JAN2002	NAME TERMINAL BLOCK MULTIPLE HEADER, 180 DEGREE STACKING W/INTERLOCK, 5.0mm PITCH	
0 PLC ±.3		PRODUCT SPEC -	SIZE CAGE CODE DRAWING NO RESTRICTED TO	
1 PLC ±.25		APPLICATION SPEC -	A300779 C-284056	
2 PLC ±.		WEIGHT -	SCALE 3:1 SHEET 1 OF 1 REV D1	
3 PLC ±.		CUSTOMER DRAWING		
4 PLC ±.				
ANGLES ±2				
MATERIAL ¹				
FINISH ¹				