

NOTES :

VOLTAGE RATING : U12 - 60V
DIN - 24V

CURRENT RATING : 4Amps

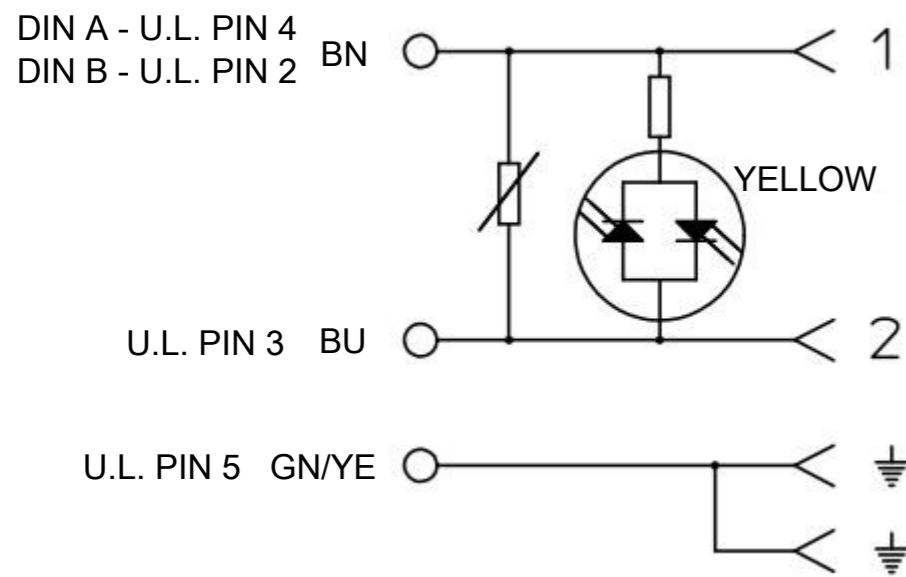
IP RATING : U12 - IP68
DIN - IP65

WORKING TEMPERATURE : -25°C TO +75°C

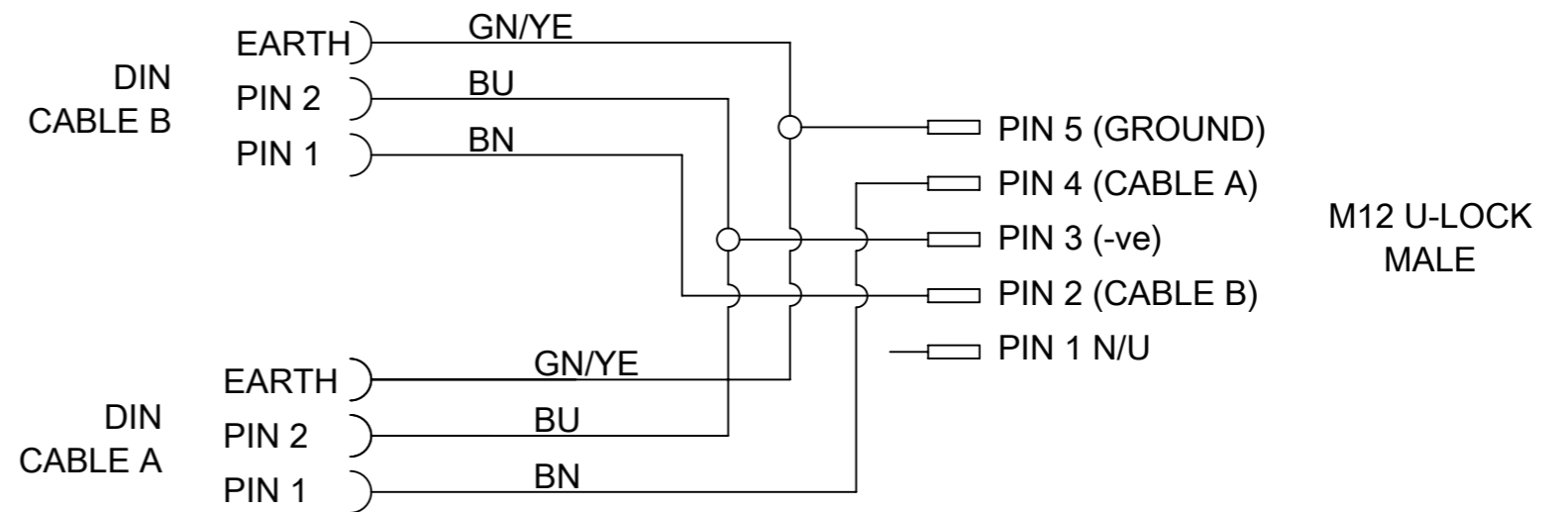
FUNCTIONAL SYMBOLS		THIS DRAWING CONTAINS INFORMATION THAT IS PROPRIETARY TO MOLEX ELECTRONIC TECHNOLOGIES, LLC AND SHOULD NOT BE USED WITHOUT WRITTEN PERMISSION		CURRENT REV DESC:	
$\nabla_A = 0$	mm	SCALE	3:2	EC NO: 700705	
$\nabla_E = 0$	GENERAL TOLERANCES (UNLESS SPECIFIED)		DRWN: SSM		2022/03/17
$\nabla_V = 0$	ANGULAR TOL $\pm 1.0^\circ$		CHK'D: RSILLER		2022/03/25
DIVISIONAL SYMBOLS		4 PLACES	\pm	APPR: RSILLER	2022/03/25
		3 PLACES	\pm	INITIAL REVISION:	
		2 PLACES	± 0.05	DRWN: SSM	2022/03/17
		1 PLACE	± 0.3	APPR: RSILLER	2022/03/25
		0 PLACES	± 0.5	THIRD ANGLE PROJECTION	
DRAFT WHERE APPLICABLE MUST REMAIN WITHIN DIMENSIONS		DRAWING		SERIES	MATERIAL NUMBER
		A3-SIZE		120082	SEE PART LIST
		CUSTOMER		GENERAL MARKET	
		DOCUMENT NUMBER		DOC TYPE	DOC PART
		1200825011		PSD	000
		REVISION		SHEET NUMBER	
		A		1 OF 2	

E	W	5	A	B	0	X	X	X	X	X	X	X
E=Form A DIN Standard (18mm contact spacing)	W=Ultra Lock	5=5 Pole Male/ Male	A=In Line Splitter	B=24Volt VDR Circuit Amber LED	0=Earth Position 6/12 'o' clock	E12 = PVC, 3x0.5mm P12 = PUR, 3x0.5mm			M=Metres F=Feet	LENGTH 010=1 Metre 020=2 Metres 030=3 Metres		

ELECTRICAL CIRCUIT(C4) DIN A, DIN B



WIRING DIAGRAM



BOM

ITEM	QTY.	DESCRIPTION	MATERIAL	COLOR/FINISH
1	-	SPLITTER OVERMOULD	TPC	YELLOW
2	5	MALE U12 CONTACT	BRASS	GOLD OVER Ni-PLATED
3	-	CABLE	PVC	BLACK
4	1	ULTRALOCK MALE ASSEMBLY	-	-
5	1	ID - A	-	-
6	1	ID - B	-	-
7	-	DIN OVERMOULD	-	-
8	2	LABEL	PLASTIC	WHITE
9	2	DIN GASKET	-	-
10	1	CENTRE SPACER	-	YELLOW
11	2	SCREW AND GASKET	-	-
12	2	DIN INSERT ASSEMBLY	-	-

PART LIST

No.	Molex P/N	ENG No.	L+Tol.[mm]
1	1200825011	EW5AB0E12M005	500±20
2	1200825012	EW5AB0E12M020	2000±30
3	1200825013	EW5AB0E12M030	3000±30

FUNCTIONAL SYMBOLS FA = 0 FE = 0 FE = 0	THIS DRAWING CONTAINS INFORMATION THAT IS PROPRIETARY TO MOLEX ELECTRONIC TECHNOLOGIES, LLC AND SHOULD NOT BE USED WITHOUT WRITTEN PERMISSION	CURRENT REV DESC:		molex
	GENERAL TOLERANCES (UNLESS SPECIFIED) ANGULAR TOL ± 1.0° 4 PLACES ± 3 PLACES ± 2 PLACES ± 0.05 1 PLACE ± 0.3 0 PLACES ± 0.5	SCALE 1:1	EC NO: 700705 DRWN: SSM CHK'D: RSILLER APPR: RSILLER	
DIVISIONAL SYMBOLS	DRAFT WHERE APPLICABLE MUST REMAIN WITHIN DIMENSIONS	THIRD ANGLE PROJECTION	DRAWING A3-SIZE	SERIES 120082
DOCUMENT NUMBER 1200825011		DOC TYPE PSD	DOC PART 000	REVISION A
MATERIAL NUMBER SEE PART LIST		CUSTOMER GENERAL MARKET	SHEET NUMBER 2 OF 2	