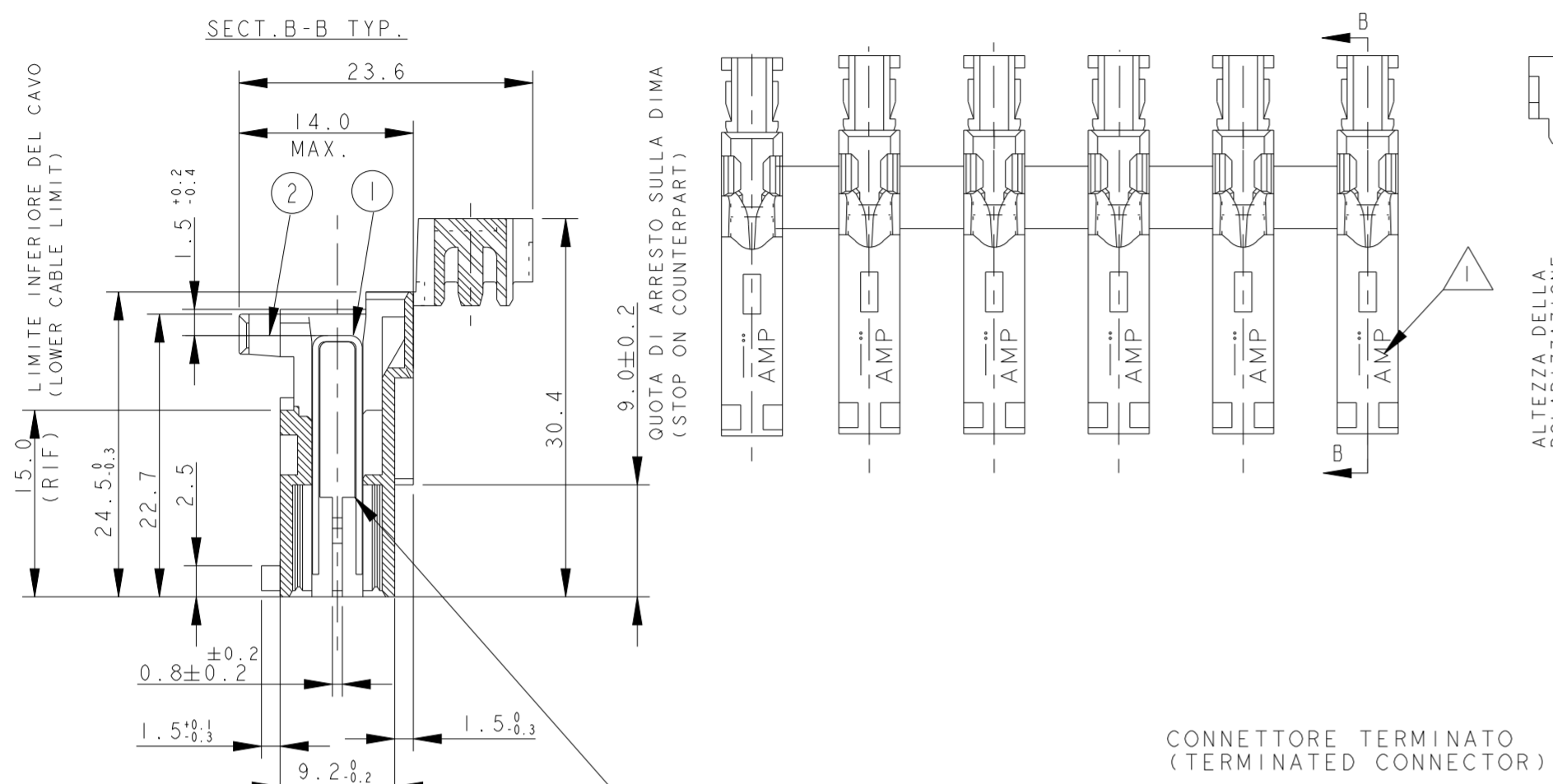
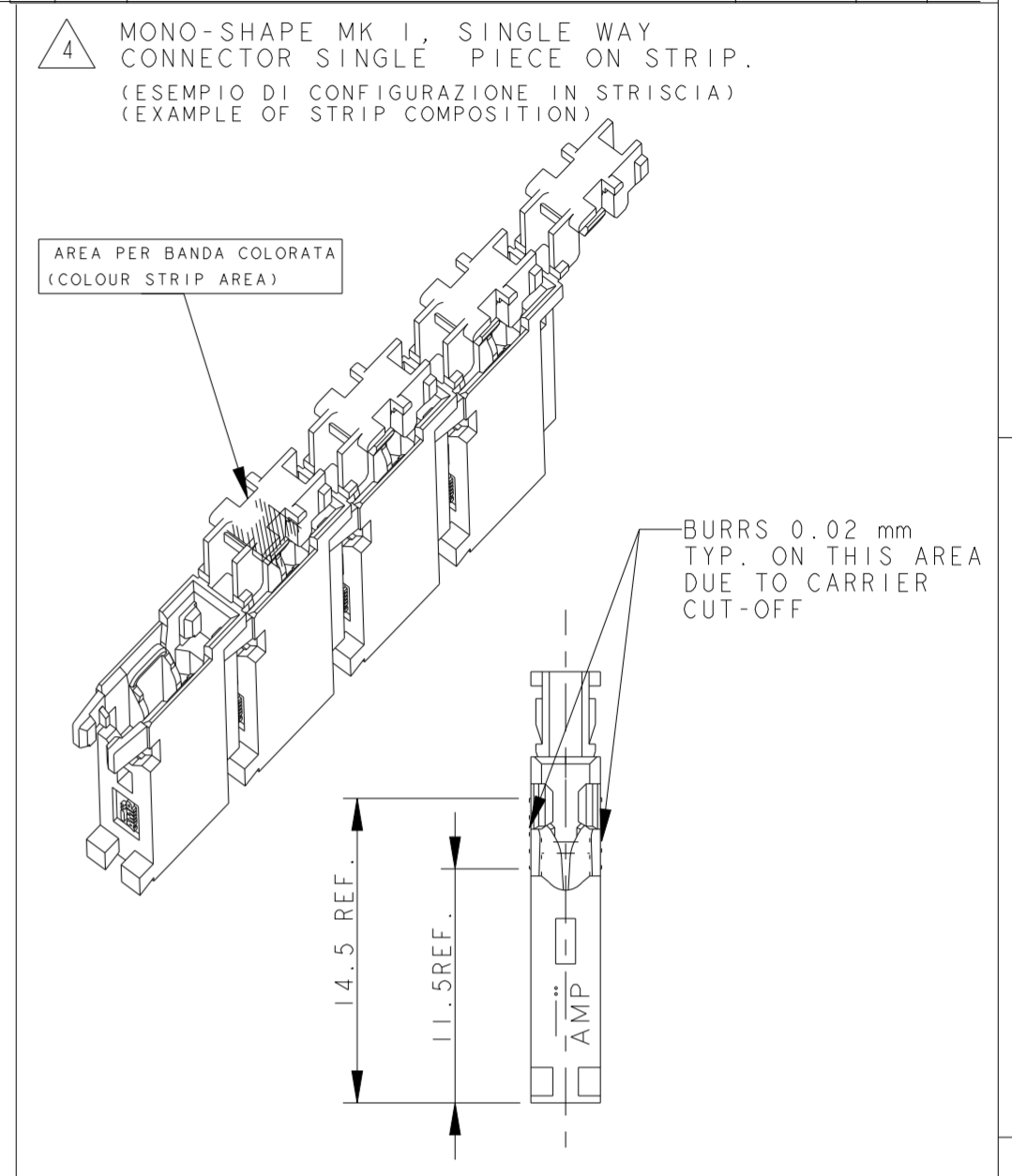
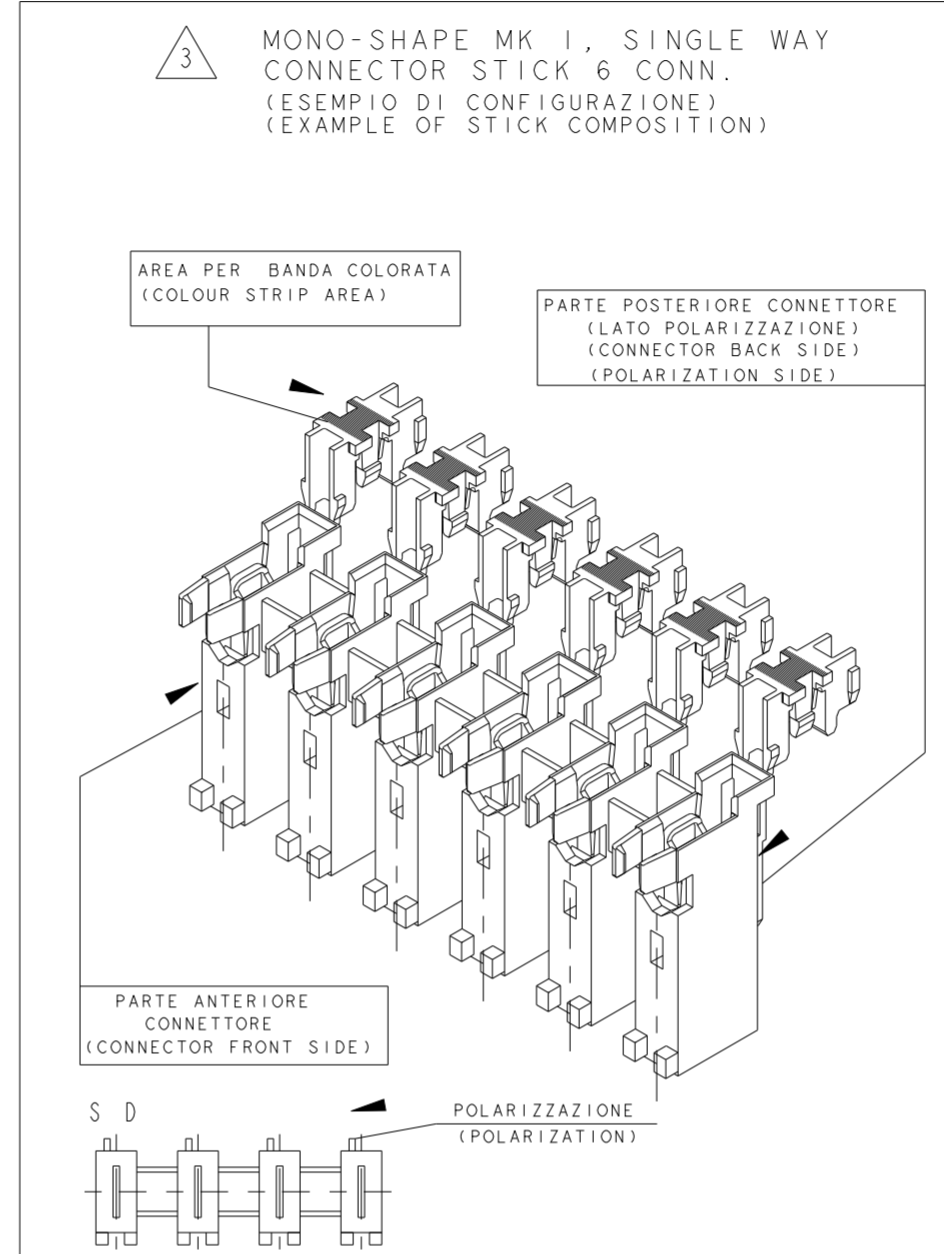
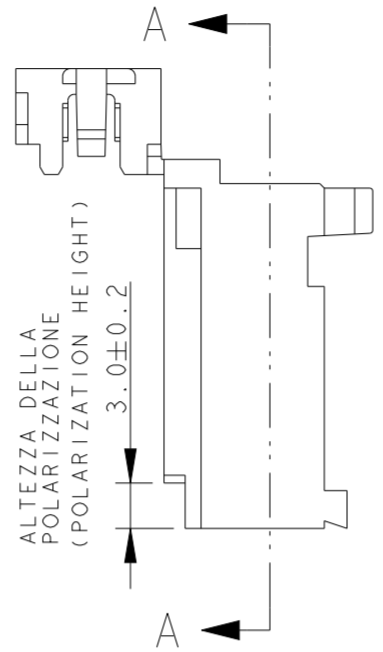
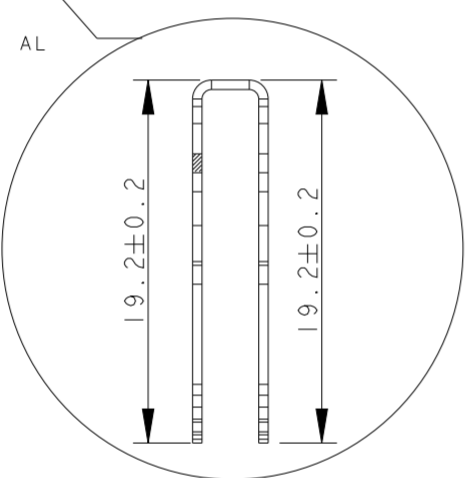


THIS DRAWING IS UNPUBLISHED. RELEASED FOR PUBLICATION 20
 © COPYRIGHT 20 ALL RIGHTS RESERVED.

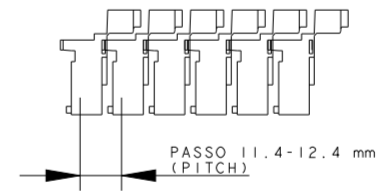
| LOC | | DIST | | REVISIONS | | | |
|-----|---------------|-------------|-----------|-----------|------|--|--|
| P | LTR | DESCRIPTION | DATE | DWN | APVD | | |
| H10 | ECR-21-115913 | | 04OCT2021 | SM | FL | | |
| H11 | ECR-22-134514 | | 12APR2022 | SM | FL | | |
| H12 | ECR-22-162194 | | 31JAN2023 | SM | FL | | |
| H13 | ECR-23-172797 | | 20APR2023 | DC | FL | | |



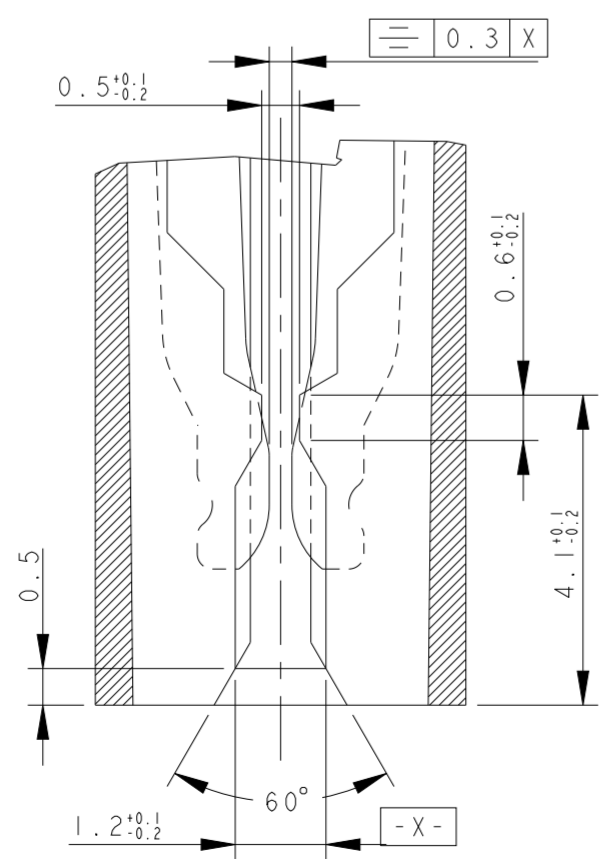
DETTAGLIO DEL CONTATTO, DIMENSIONI RIFERITE AL COMPONENTE INSERITO IN CAVITÀ (ENLARGED VIEW OF TAB CONTACT DIM. REFERRED TO CONTACT INSERTED IN THE HOUSING CAVITY)



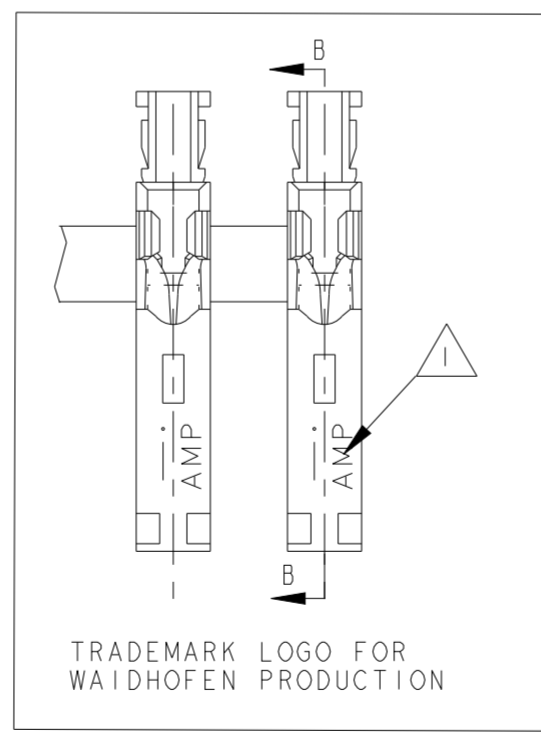
- 1 MARCHIO DI FABBRICA. (TRADEMARK)
- 2 NON ANCORA RILASCIATO IN PRODUZIONE (NOT YET RELEASED FOR PRODUCTION)
- 3 STATO DI FORNITURA: CONFEZIONAMENTO STICK DI 6 CONNETTORI IN VASSOI + SCATOLA (PACKAGING: "6 CONNECTOR STICK VERSION, ON TRAY PLUS CARTON BOX")



- 4 CONFEZIONAMENTO IN STRISCIA DI CONNETTORI SINGOLI IN VASSOI+SCATOLA (PACKAGING: SINGLE CONNECTOR IN STRIP, ON TRAY PLUS CARTON BOX)
- 5) APPROVAZIONE VDE, FILE N. 3905 (VDE APPROVAL, FILE N. 3905)
- 6 PRELIMINARY NOT FOR PRODUCTION



SECTION A-A
SCALE 10:1



| ITEM | DENOMINAZIONE | FINITURA / COLORE (FINISH / COLOUR) | MATERIALE (MATERIAL) | DIAM. ISOLANTE (INS. DIA. RANGE) | RANGO FILO (WIRE RANGE) |
|------|---------------------|-------------------------------------|---|----------------------------------|-------------------------|
| 2 | BLOCCETTO (HOUSING) | NATURALE (NATURAL) | POLIAMIDE 6.6 20%C.vetro (PA 6.6 Glassfiber Filled) | 3.0 mm | 0.5-1.5 mm ² |
| 1 | CONTATTO (CONTACT) | STAGNATO (TIN-PLATED) | OTTONE (BRASS) | | |

THIS DRAWING IS A CONTROLLED DOCUMENT.

DWN G. ENDRIZZI 23JULY97
CHK G. VIGNOLI 23JULY97
APVD G. TURCO 23JULY97

TE Connectivity

MONO SHAPE MK I SINGLE WAY CONN. ASSEMBLY

SIZE A2 CAGE CODE 0779 DRAWING NO C-282086 RESTRICTED TO

SCALE NO SHEET 1 OF 2 REV H13

THIS DRAWING IS UNPUBLISHED. RELEASED FOR PUBLICATION 20
 © COPYRIGHT 20 ALL RIGHTS RESERVED.

| LOC | | DIST | | REVISIONS | | | |
|-----|-----|-----------|-------------|-----------|-----|------|--|
| P | LTR | SEE SHEET | DESCRIPTION | DATE | DWN | APVD | |
| - | - | 1 | | | | | |

| NO. OF POSITION | CONFIGURATION (VIEW FROM THE TOP) | CONNECT. PART NUMBER (STICK VERSION 6 CONN.) | PART REV. | POLARIZ. POSITION BACK SIDE | STRIP COLOR CODE |
|-----------------|-----------------------------------|--|-----------|-----------------------------|------------------|
| 6 X 1 | | 2293382-1 | H | - | - |

| NO. OF POSITION | CONFIGURATION (VIEW FROM THE TOP) | CONNECT. PART NUMBER (SINGLE PIECE VERSION) | PART REV. | POLARIZ. POSITION BACK SIDE | STRIP COLOR CODE |
|-----------------|-----------------------------------|---|-----------|-----------------------------|------------------|
| 1 | | 1-2293382-1 | H | - | - |
| 1 | | 2-2293382-1 | H | IS | BLACK |

| | | | | | | |
|----------|-------|--|---|---|----|--------|
| OBSOLETE | 6 X 1 | | 4-282086-1 (REPLACED BY 1-282086-1) | A | - | - |
| OBSOLETE | 6 X 1 | | 4-282086-2 (REPLACED BY 1-282086-2) | A | IS | BLACK |
| OBSOLETE | 6 X 1 | | 4-282086-3 (REPLACED BY 1-282086-3) | A | ID | ORANGE |

| NUMERO DI VIE (NO. OF POSITION) | CONFIGURAZIONE (VISTA DALL'ALTO) CONFIGURATION (VIEW FROM THE TOP) | CODICE CONNETTORE (CONNECT. PART NUMBER) VERSIONE IN STICK 6 CONN. (STICK VERSION 6 CONN.) | PART REV. | POSIZIONE POLARIZ. (LATO POSTERIORE) POLARIZ. POSITION BACK SIDE | MARCHIATURA CON BANDA COLORATA STRIP COLOUR CODE |
|---------------------------------|--|--|-----------|--|--|
| 6 X 1 | | 1-282086-1 | H | - | - |
| | | 1-282086-4 | H | - | VERDE (GREEN) |
| | | 1-282086-5 | H | - | BLU (BLUE) |
| | | 1-282086-6 | H | - | VIOLA (VIOLET) |
| 6 X 1 | | 1-282086-2 | H | IS | NERO (BLACK) |
| 6 X 1 | | 1-282086-3 | H | ID | ARANCIO (ORANGE) |

| NUMERO DI VIE (NO. OF POSITION) | CONFIGURAZIONE (VISTA DALL'ALTO) CONFIGURATION (VIEW FROM THE TOP) | CODICE CONNETTORE (CONNECT. PART NUMBER) VERSIONE PEZZO SINGOLO (SINGLE PIECE VERSION) | PART REV. | POSIZIONE POLARIZ. (LATO POSTERIORE) POLARIZ. POSITION BACK SIDE | MARCHIATURA CON BANDA COLORATA STRIP COLOUR CODE |
|---------------------------------|--|--|-----------|--|--|
| 1 | | 1-282086-7 | B | - | - |
| 1 | | 1-282086-8 | B | IS | NERO (BLACK) |
| 1 | | 1-282086-9 | B | ID | ARANCIO (ORANGE) |

| | | | | |
|--|-----------|----------------------------|---|-----------------|
| THIS DRAWING IS A CONTROLLED DOCUMENT. | | DWN G. ENDRIZZI 23JULY97 | TE Connectivity MONO SHAPE MK 1 SINGLE WAY CONN. ASSEMBLY | |
| DIMENSIONS: mm | | CHK G. VIGNOLI 23JULY97 | | |
| TOLERANCES UNLESS OTHERWISE SPECIFIED: | | APVD G. TURCO 23JULY97 | | |
| 0 PLC ±.3 1 PLC ± 2 PLC ± 3 PLC ± 4 PLC ± ANGLES ±2 FINISH | | PRODUCT SPEC 108-20065 | | |
| MATERIAL SEE TABLE | SEE TABLE | APPLICATION SPEC 114-20017 | SIZE A2 | CAGE CODE 00779 |
| CUSTOMER DRAWING | | WEIGHT - | DRAWING NO. C-282086 | RESTRICTED TO - |
| SCALE NO | | | SHEET 2 OF 2 | REV H13 |