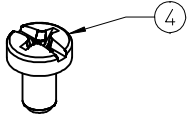
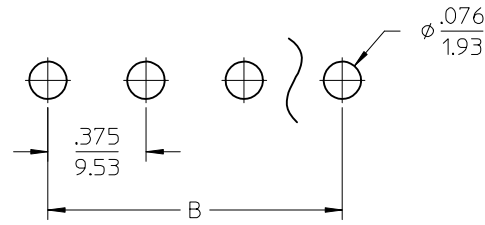
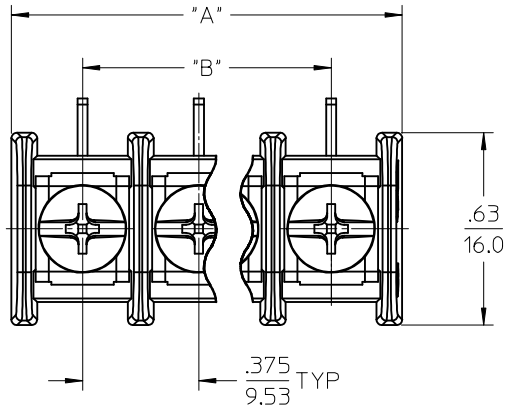
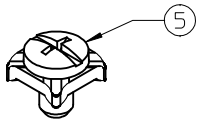


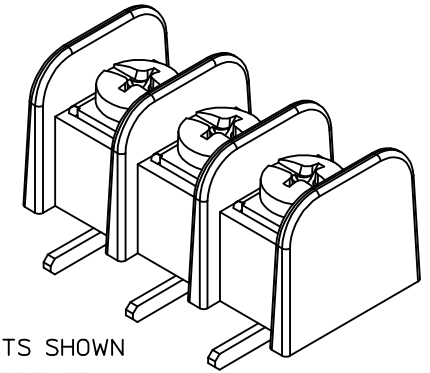
REF. -49 OPT. SCREW
(WHERE APPLICABLE)



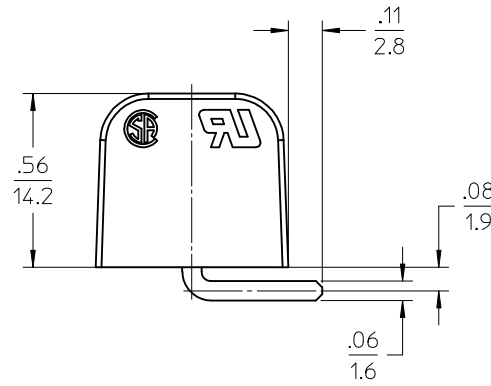
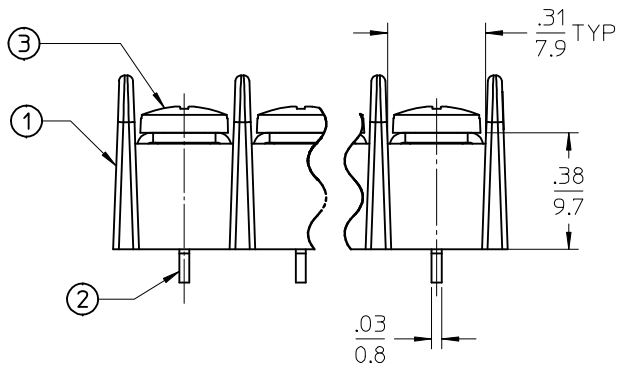
REF. -50 OPT. SCREW
(WHERE APPLICABLE)



PTH PATTERN



3 CIRCUITS SHOWN
AS REFERENCE



PART NUMBER LEGEND

71-8-XX-XX

SERIES

TERMINAL STYLE

CIRCUIT QTY (2 TO 26)

OPTION (-49 BRASS,PHIL/SLOT SCREW)

(-50 CLAMP WASHER,PHIL/SLOT SCREW)

(-C NO MOUNTING ENDS)

NOTES:

1. MATERIAL: SEE TABLE.
2. FINISHES: SEE TABLE.
3. PRODUCT SPECIFICATION: PS-38710-001
4. "XX" REFERS TO NUMBER OF CIRCUITS.
5. ASSEMBLY IS RoHS COMPLIANT.

| ITEM | QTY | DESCRIPTION | MATERIAL | FINISH |
|------|-----|--|-----------------|--------|
| 5 | XX | #6-32 PH/SLOTTED SCREW W/WSHR (OPTION -50) | STEEL | ZINC |
| 4 | XX | #6-32 PH/SLOTTED SCREW (OPTION -49) | BRASS | NICKEL |
| 3 | XX | #6-32 PH/SLOTTED SCREW (STANDARD) | STEEL | ZINC |
| 2 | XX | TERMINAL, WW SN-KT | BRASS | TIN |
| 1 | 1 | INSULATOR | POLYESTER (PBT) | BLACK |

RELEASED
EC NO: IFC2016-0008
DRAWN: SVMURTHY 2015/06/30
CHKD: RSTONE 2015/06/30
APPR: JFMURPHY 2016/07/11

QUALITY SYMBOLS
▽/0
▽/0
▽/0

GENERAL TOLERANCES (UNLESS SPECIFIED)

| | mm | INCH |
|----------|--------|--------|
| 4 PLACES | ± --- | ± --- |
| 3 PLACES | ± --- | ± .005 |
| 2 PLACES | ± 0.13 | ± .01 |
| 1 PLACE | ± 0.3 | ± --- |
| 0 PLACE | ± --- | ± --- |

ANGULAR ± 2°
DRAFT WHERE APPLICABLE
MUST REMAIN WITHIN DIMENSIONS

DIMENSION STYLE
IN/MM

| DRAWN BY | DATE |
|-------------|------------|
| SVMURTHY | 2015/06/30 |
| CHECKED BY | DATE |
| RSTONE | 2015/06/30 |
| APPROVED BY | DATE |
| JFMURPHY | 2016/07/11 |

MATERIAL NO.
SEE SHEET 2

SCALE
2:1

DESIGN UNITS
INCH

THIRD ANGLE PROJECTION

TITLE
9.53MM [.375"] SR BTS
RA ASSY, NO MTG

DOCUMENT NO.
SD-38711-5302

SHEET NO.
1 OF 2

molex

THIS DRAWING CONTAINS INFORMATION THAT IS PROPRIETARY TO MOLEX INCORPORATED AND SHOULD NOT BE USED WITHOUT WRITTEN PERMISSION

10 9 8 7 6 5 4 3 2 1

| # OF CIRCUITS "XX" | DIM. "A" | | DIM. "B" | |
|--------------------|----------|------|----------|--------|
| | in | mm | in | mm |
| 02 | .83 | 21.1 | .375 | 9.53 |
| 03 | 1.21 | 30.7 | .750 | 19.05 |
| 04 | 1.58 | 40.1 | 1.125 | 28.58 |
| 05 | 1.96 | 49.8 | 1.500 | 38.10 |
| 06 | 2.33 | 59.2 | 1.875 | 47.63 |
| 07 | 2.71 | 68.8 | 2.250 | 57.15 |
| 08 | 3.08 | 78.2 | 2.625 | 66.68 |
| 09 | 3.46 | 87.9 | 3.000 | 76.20 |
| 10 | 3.83 | 97.3 | 3.375 | 85.73 |
| 11 | 4.21 | 107 | 3.750 | 95.25 |
| 12 | 4.58 | 116 | 4.125 | 104.78 |
| 13 | 4.96 | 126 | 4.500 | 114.30 |
| 14 | 5.33 | 135 | 4.875 | 123.83 |
| 15 | 5.71 | 145 | 5.250 | 133.35 |
| 16 | 6.08 | 154 | 5.625 | 142.88 |
| 17 | 6.46 | 164 | 6.000 | 152.40 |
| 18 | 6.83 | 173 | 6.375 | 161.93 |
| 19 | 7.21 | 183 | 6.750 | 171.45 |
| 20 | 7.58 | 193 | 7.125 | 180.98 |
| 21 | 7.96 | 202 | 7.500 | 190.50 |
| 22 | 8.33 | 212 | 7.875 | 200.03 |
| 23 | 8.71 | 221 | 8.250 | 209.55 |
| 24 | 9.08 | 231 | 8.625 | 219.08 |
| 25 | 9.46 | 240 | 9.000 | 228.60 |
| 26 | 9.83 | 250 | 9.375 | 238.13 |

| | | | | | | | | | |
|--|--------------------------------------|---------------------------------------|---------|---|---|--------------|-------------------------------|------------------------|--|
| RELEASED EC NO: IFC2016-0008 DRWN: SVMURTHY 2015/06/30 CHKD: RSTONE 2015/06/30 APPR: JFMURPHY 2016/07/11 A | QUALITY SYMBOLS F/0 F/0 F/0 | GENERAL TOLERANCES (UNLESS SPECIFIED) | | DIMENSION STYLE IN/MM | | SCALE 2:1 | DESIGN UNITS INCH | THIRD ANGLE PROJECTION | |
| | | 4 PLACES ± --- ± --- | mm INCH | DRAWN BY DATE SVMURTHY 2015/06/30 | TITLE 9.53MM [.375"] SR BTS RA ASSY, NO MTG | | | | |
| | | 3 PLACES ± --- ± .005 | | CHECKED BY DATE RSTONE 2015/06/30 | | | | | |
| | | 2 PLACES ± 0.13 ± .01 | | APPROVED BY DATE JFMURPHY 2016/07/11 | MATERIAL NO. 387112302 | | DOCUMENT NO. SD-38711-5302 | SHEET NO. 2 OF 2 | |
| DRAFT WHERE APPLICABLE MUST REMAIN WITHIN DIMENSIONS | | ANGULAR ± 2 ° | | THIS DRAWING CONTAINS INFORMATION THAT IS PROPRIETARY TO MOLEX INCORPORATED AND SHOULD NOT BE USED WITHOUT WRITTEN PERMISSION | | | | | |

9 8 7 6 5 4 3 2 1