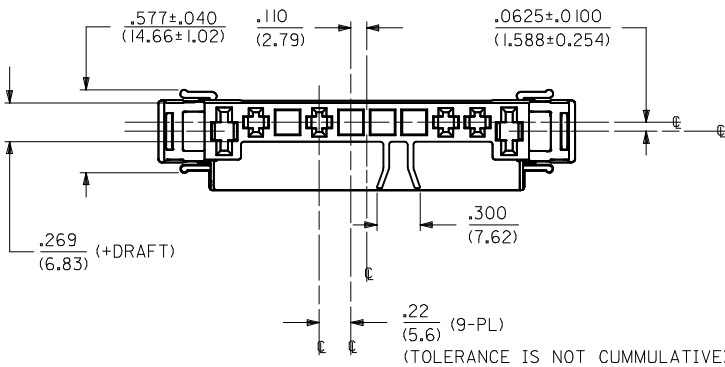
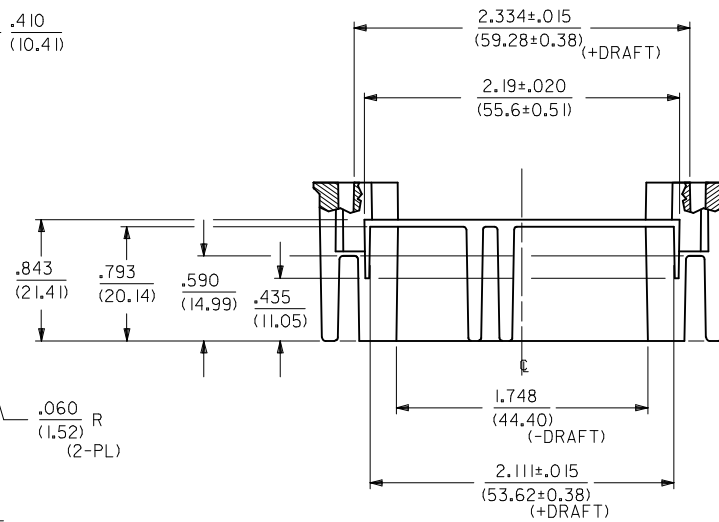
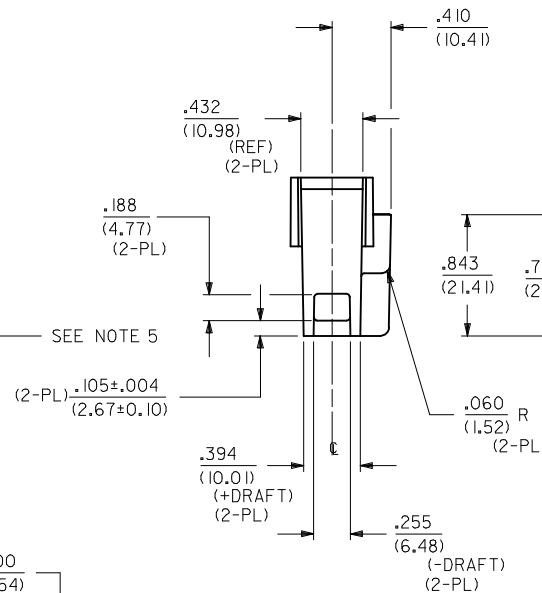
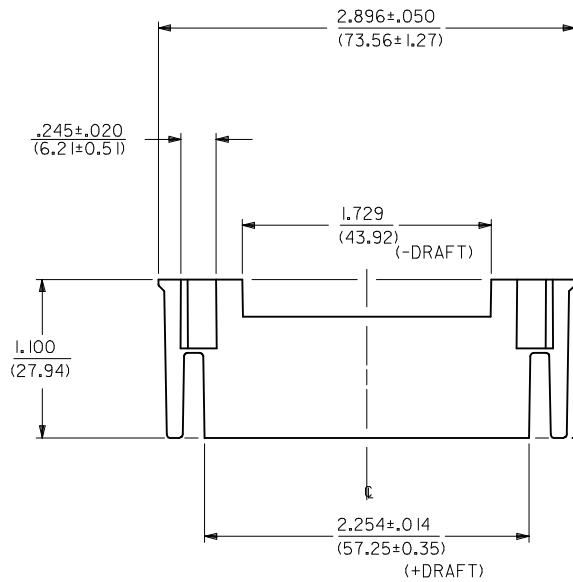
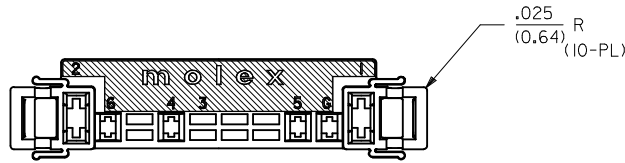


NOTES

1. MATERIAL: NYLON 6/6, 94V-2. COLOR: NATURAL (WHITE/TRANSLUCENT)
2. FINISH: NONE.
3. PRODUCT SPECS: PSX-42865-0001, PSX-42865-0002 & PS-43374-0001 APPLY.
4. PACKAGING SPECS: HOUSINGS ARE PACKED ACCORDING TO PK-42865-001.
5. THE OUTSIDE EDGES ASSOCIATED WITH THIS SURFACE TO HAVE .02/(0.51) RADII.
6. 42865-0001 CONNECTOR HOUSING IS FOR USE WITH TERMINALS:
 - .125/(3.18) SPADE: 1508** & 43374-***1 (4-PL MAX)
 - .250/(6.35) SPADE: 41422-3***5** (2-PL MAX)
7. 42865-0002 CONNECTOR HOUSING IS FOR USE WITH TERMINALS:
 - .125/(3.18) SPADE: 1508** & 43374-***1 (5-PL MAX)
 - .250/(6.35) SPADE: 41422-3***5** (2-PL MAX)
8. PART CONFORMS TO CLASS B REQUIREMENTS OF COSMETIC SPECS PS-45499-002.



42865-0001	006-02-3104
ENG. NO.	PART NO.

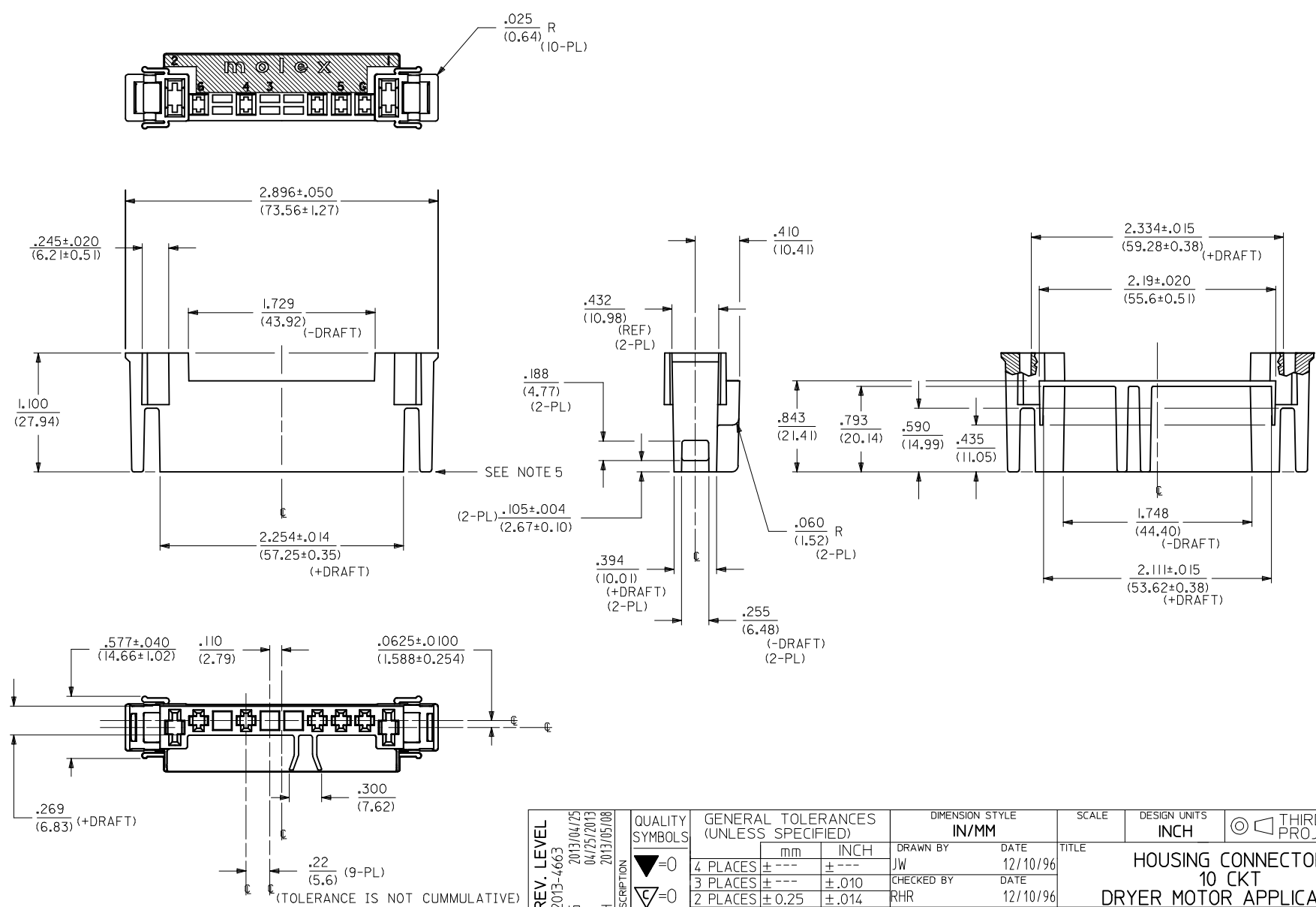
REMOVE SMES-128-A EC NO: UCP2013-4663 DRAWN: ELHAG 2013/04/25 CHKD: J.BELL 04/25/2013 APPR: F.SMITH 2013/05/08	DESCRIPTION
--	-------------

QUALITY SYMBOLS	▽=0
	▽=0

GENERAL TOLERANCES (UNLESS SPECIFIED)	
	mm INCH
4 PLACES ± --- ± ---	KBP 10/17/1991
3 PLACES ± --- ± .010	CHECKED BY DATE
2 PLACES ± 0.25 ± .014	KBP 10/17/1991
1 PLACE ± 0.35 ± ---	APPROVED BY DATE
	RAS 10/17/1991
ANGULAR ± 1/2°	
DRAFT WHERE APPLICABLE MUST REMAIN WITHIN DIMENSIONS	

DIMENSION STYLE	IN/MM
DRAWN BY	DATE
TITLE	
MATERIAL NO.	SEE CHART
SIZE	C

SCALE	1:1
DESIGN UNITS	INCH
THIRD ANGLE PROJECTION	
HOUSING, CONNECTOR 10 - CIRCUITS DRYER MOTOR APPLICATION	
MOLEX MOLEX INCORPORATED	
DOCUMENT NO.	SD-42865-0001
SHEET NO.	1 OF 2
THIS DRAWING CONTAINS INFORMATION THAT IS PROPRIETARY TO MOLEX INCORPORATED AND SHOULD NOT BE USED WITHOUT WRITTEN PERMISSION	



42865-0002	006-02-3105
ENG. NO.	PART NO.

UPDATE REV. LEVEL
 EC NO: UCP2013-4663
 DRW: NAEHAG 2013/04/25
 CHKD: JBELL 04/25/2013
 APPR: F.S.M.LTH 2013/05/08

QUALITY SYMBOLS
 ▽=0
 ▽=0

GENERAL TOLERANCES (UNLESS SPECIFIED)

	mm	INCH
4 PLACES ±	---	---
3 PLACES ±	---	±.010
2 PLACES ±	0.25	±.014
1 PLACE ±	0.35	---

ANGULAR ±1/2°

DRAFT WHERE APPLICABLE MUST REMAIN WITHIN DIMENSIONS

DIMENSION STYLE		SCALE	DESIGN UNITS	THIRD ANGLE PROJECTION
IN/MM			INCH	
DRAWN BY	DATE	TITLE		
JW	12/10/96	HOUSING CONNECTOR 10 CKT DRYER MOTOR APPLICATION		
CHECKED BY	DATE	MOLEX INCORPORATED		
RHR	12/10/96			
APPROVED BY	DATE	DOCUMENT NO.	SHEET NO.	
RE	12/10/96	SD-42865-0001	2 OF 2	
MATERIAL NO. SEE CHART				
SIZE THIS DRAWING CONTAINS INFORMATION THAT IS PROPRIETARY TO MOLEX INCORPORATED AND SHOULD NOT BE USED WITHOUT WRITTEN PERMISSION				