

THIS DRAWING IS UNPUBLISHED.

RELEASED FOR PUBLICATION

20

© COPYRIGHT 20 BY -

ALL RIGHTS RESERVED.

REVISIONS

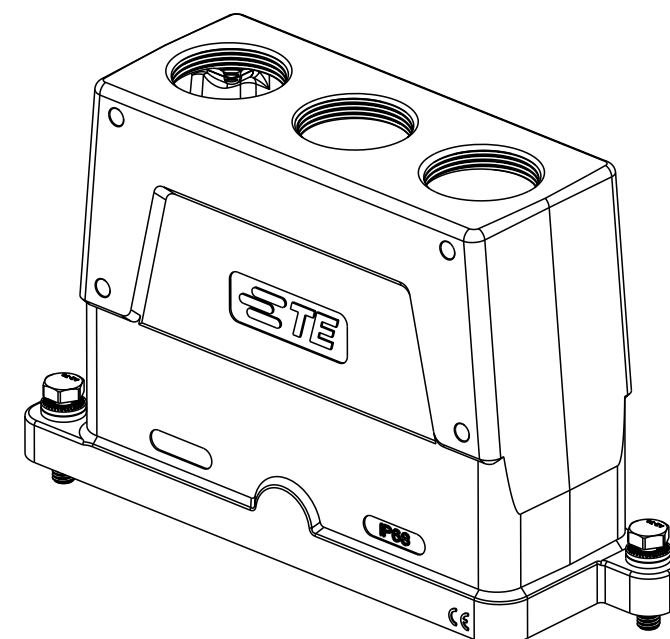
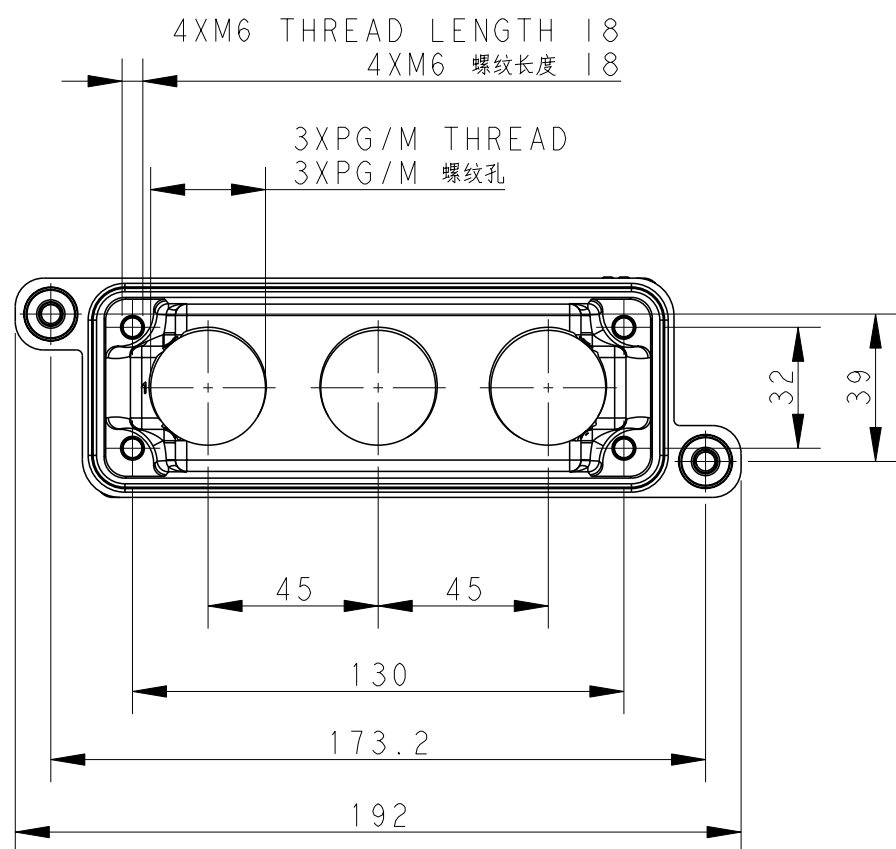
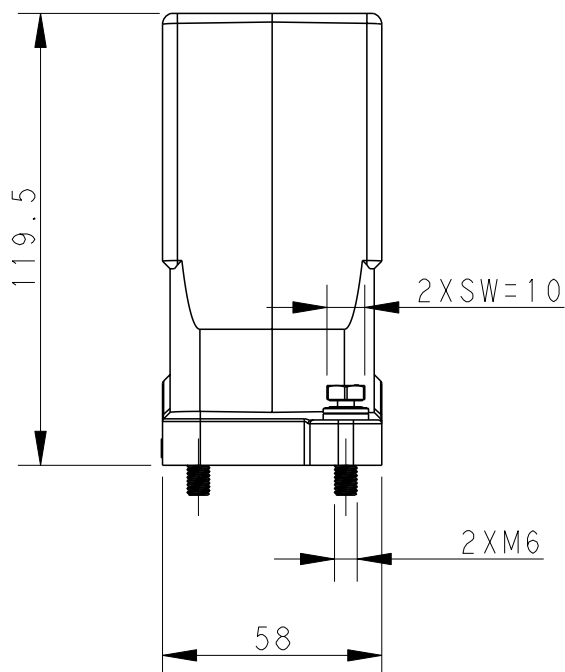
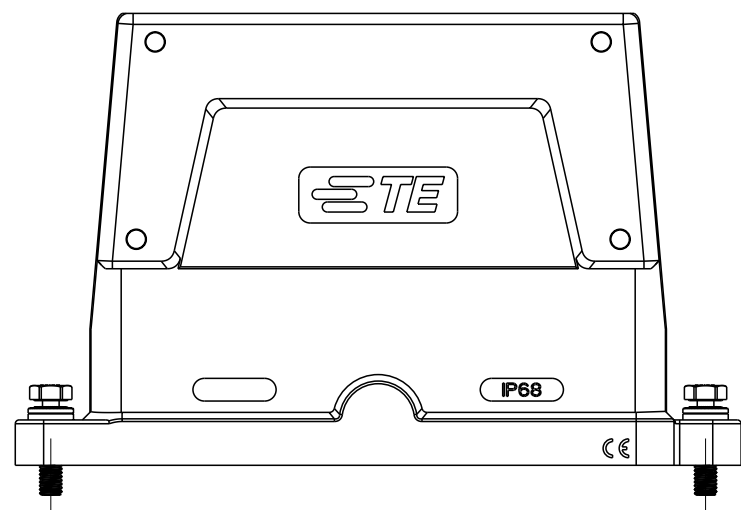
P	LTR	DESCRIPTION	DATE	DWN	APVD
A		INITIAL RELEASE	08FEB2018	GY	CW
B		ECR-20-016312	03JUN2021	BS	CW

NOTES:


1. TECHNICAL CHARACTERISTICS:
 HOOD MATERIAL: ALUMINIUM ALLOY
 SURFACE: POWDER COATED, BLACK
 DEGREE OF PROTECTION: IP68 (MATED)

注释:

1. 技术参数:
 上壳材料: 铝合金
 表面处理: 黑色粉末喷涂
 防护等级: IP68(配合)



T1920240332-409	H24BPR-TGH-XL-3M32-EMC-C	H24BPR HEIGHTEN HOOD, DIAGONAL LOCKING, TOP ENTRY 3M32, POWDER COATED, BLACK H24BPR加高上壳, 对角锁定, 顶出3M32, 黑色粉末喷涂	M32
PART NUMBER 料号	PART DESCRIPTION 零件描述		PG/M THREAD PG/M 螺纹孔

THIS DRAWING IS A CONTROLLED DOCUMENT.		DWN 30JAN2018 GINO.YAO	 TE Connectivity	
DIMENSIONS: mm		CHK 08FEB2018 CHRIS.WANG		
TOLERANCES UNLESS OTHERWISE SPECIFIED:		APVD 08FEB2018 CHRIS.WANG	PRODUCT SPEC	
0 PLC ±-		108-137191		SIZE
1 PLC ±-		APPLICATION SPEC		CAGE CODE
2 PLC ±-		114-137191-1		DRAWING NO
3 PLC ±-		WEIGHT		RESTRICTED TO
4 PLC ±-		A300779		C-T1920240XXX409
ANGLES ±-		CUSTOMER DRAWING		SCALE 1:2
FINISH		SHEET 1 OF 1		REV B

printed on 7 Jun 2021 15:57 (China Standard Time) from TE236667

A

A

D

D

C

B