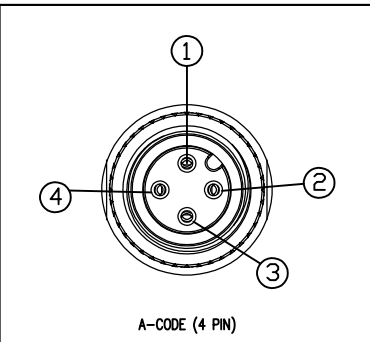
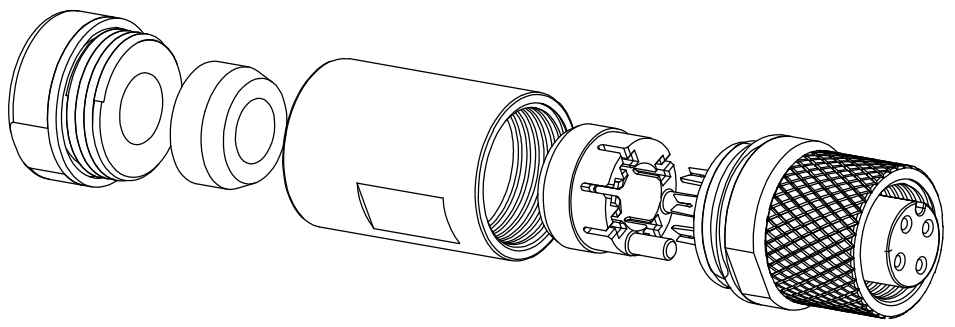
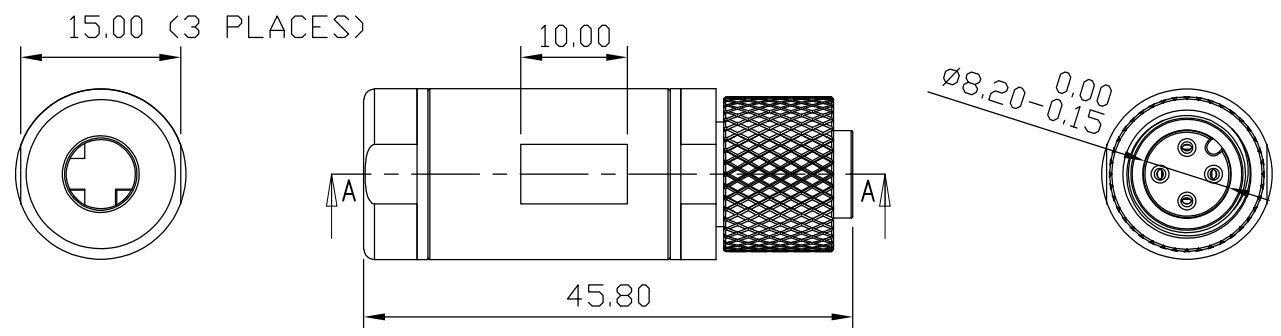
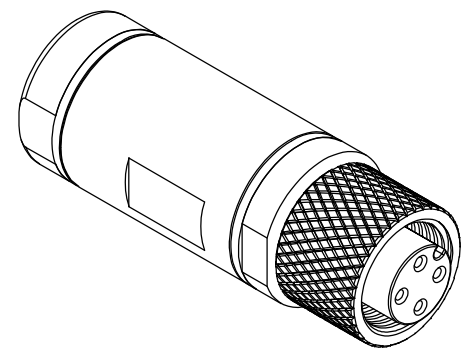
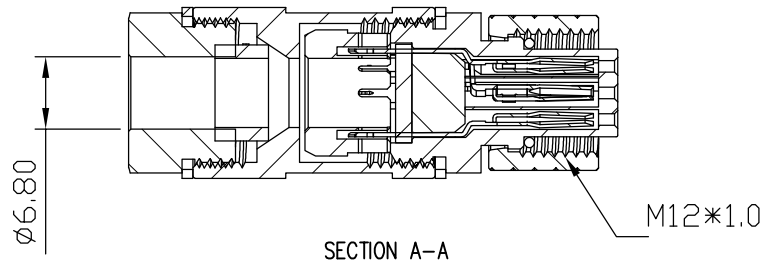


DATE	REV	REVISION CHANGES	EDA	APPS BY
09/19/18	AD	AS SHOWN	-	ADB



- NOTES:
- CONNECTOR MATERIALS:  
HOUSING: THERMOPLASTIC UL94 V-0  
CONTACTS/SHIELD: COPPER ALLOY  
O-RING MATERIAL: SILICONE UL94 V-0  
EPOXY POTTING COMPOUND IN REAR CAVITY  
SHIELD PLATING: NICKEL  
CONTACT PLATING: SELECTIVE GOLD (1 µIN) OR EQUIVALENT IN THE CONTACT AREA
  - FOR PRODUCT SPECIFICATIONS SEE PRO39-01
  - DIMENSIONS AND TOLERANCES COMPLY WITH IEC 61076-2-101 STANDARD.
  - PLUG ACCOMMODATES CABLE Ø6.00 - 6.50
  - CODING: A-STANDARD
  - NICKEL PLATED IDC ACCOMMODATES 22 AWG WIRE
  - CURRENT RATING: 4 AMPS MAX
  - INSULATION RESISTANCE: 100 MOHMS MIN @ 500 VDC
  - DEGREE OF PROTECTION: IP67
  - TEMPERATURE RANGE: -20°C TO +85°C
  - MATING CYCLES: 100 INSERTIONS

4	SS-12000-023
NUMBER OF CONTACTS	PART NUMBER

<p>THIRD ANGLE PROJECTION</p> <p>DO NOT SCALE DRAWING DRAWING IS SUBJECT TO CHANGE WITHOUT NOTICE</p> <p>UNLESS OTHERWISE SPECIFIED DIMENSIONS ARE IN MILLIMETERS TOLERANCES ARE AS SHOWN ANGLES ARE AS SHOWN DIMENSIONS ARE IN MILLIMETERS UNLESS OTHERWISE SPECIFIED</p> <p>1 OF 1</p>	<p>11118 Sempukhanna Trill South Glen Rock, PA 17327-9189 (717) 238-7912 <a href="http://www.stewartconnector.com">http://www.stewartconnector.com</a></p>	Field Terminated Plug with IDCs, M12 A-Code, Female	DATE: 09/06/18 DESIGNED BY: BTB DRAWN BY: ADB
		THIS DRAWING AND THE SUBJECT MATTER SHOWN HEREON ARE CONFIDENTIAL AND THE PROPRIETARY PROPERTY OF STEWART CONNECTOR AND SHALL NOT BE REPRODUCED, COPIED, OR USED IN ANY MANNER WITHOUT THE WRITTEN CONSENT OF STEWART CONNECTOR. USE OR REUSE ALL PATENTS NOT APPLICABLE TO THIS PRODUCT. FOR DETAILS, PLEASE VISIT <a href="http://www.stewartconnector.com">WWW.STEWARTCONNECTOR.COM</a>	DATE: 09/19/18 CHECKED BY: ADB PART NO.: CT120012 REV: AO



AutoCAD At Work