

SCM-1

Suspended Ceiling Adaptor

Product Features:

For use with 2' x 2' or 2' x 4' ceiling tiles

Can be used w/ VMP ceiling masts or standard 1.5" NPT pipe

Includes 20 ft of tie wire

4 standard electrical KOs

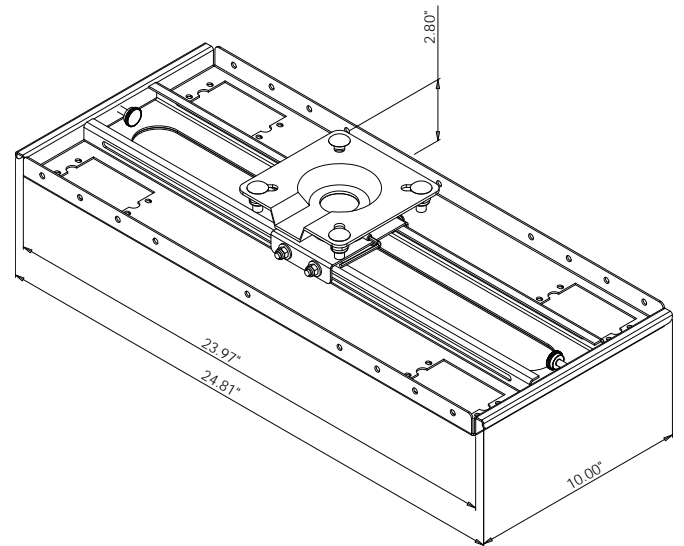
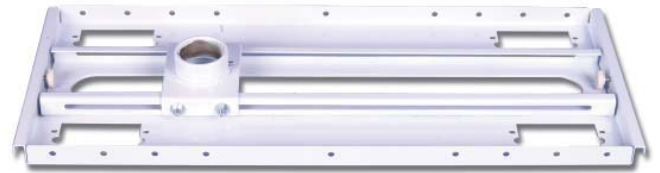
Load capacity – 75 lbs

White powder coat finish

Product Specifications:

(for Architects & Engineers)

The suspended ceiling kit for ceiling mounts shall be the Video Mount Products (VMP) model SCM-1. The suspended ceiling kit shall be primarily constructed of formed steel and include spot welds. The suspended ceiling kit shall include tie wire and hardware to attach the tie wire to the most common surfaces above suspended ceilings. The suspended ceiling kit shall be able to accommodate 1.5" NPT as well as any VMP ceiling mast within its weight capacity. The suspended ceiling kit shall have 4 locations for electrical junction boxes and have the capability to have the ceiling mount positioned anywhere along the full length of the tray. The load capacity shall be 75 lbs.



Video Mount Products

345 Log Canoe Circle

Stevensville, MD 21666

Toll Free: 877.281.2169

Telephone: 410.643.6390

Facsimile: 410.643.6615

www.videomount.com

VMP
VIDEO MOUNT PRODUCTS