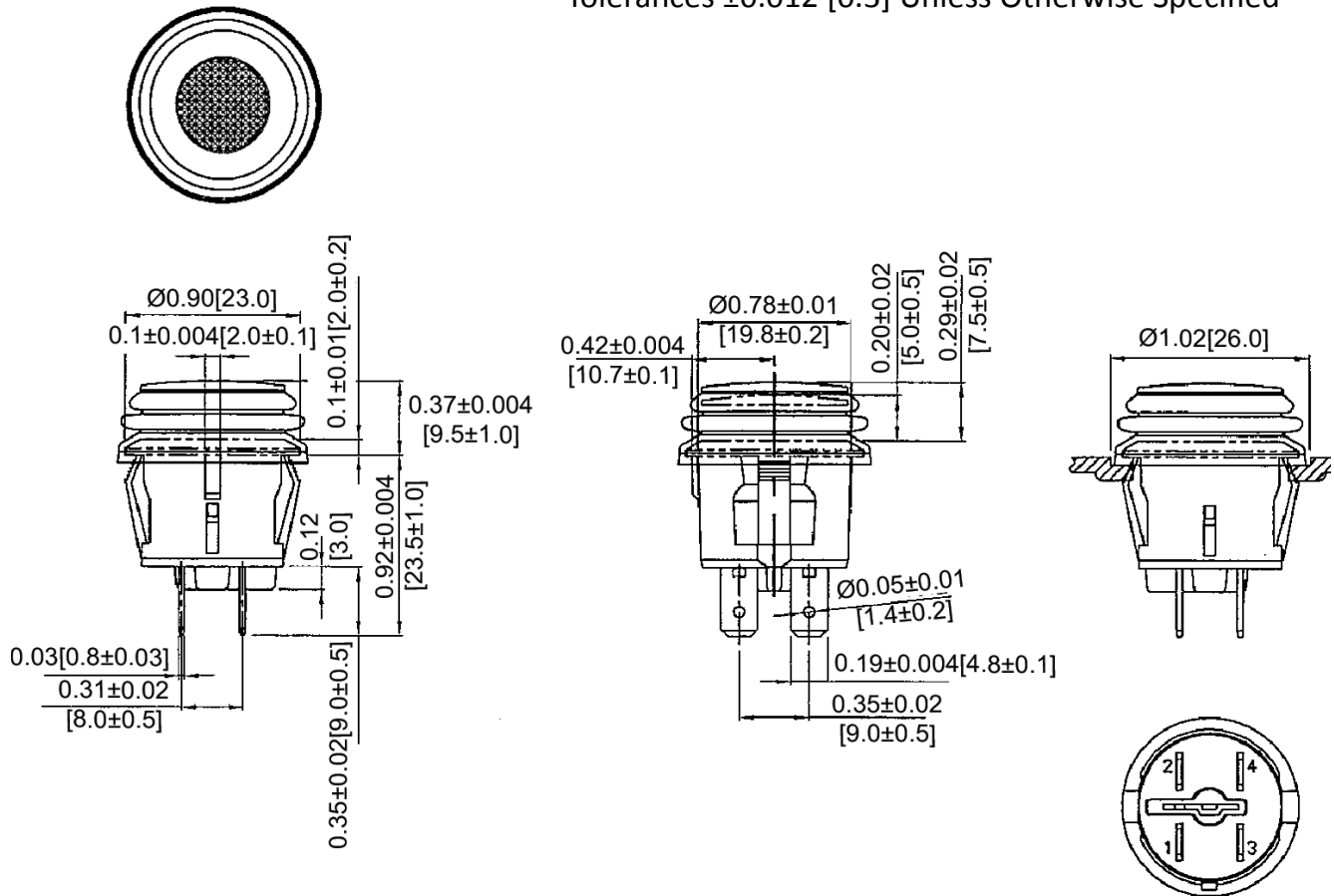
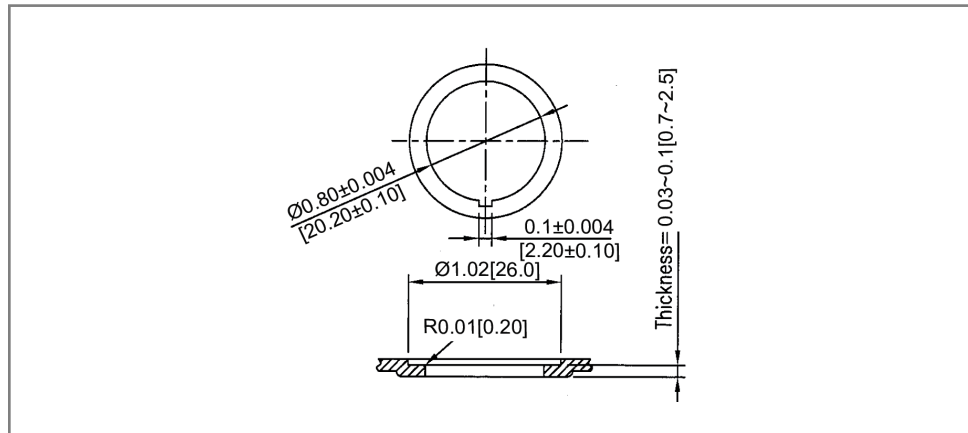


## Mechanical Dimensions: Inches [mm]

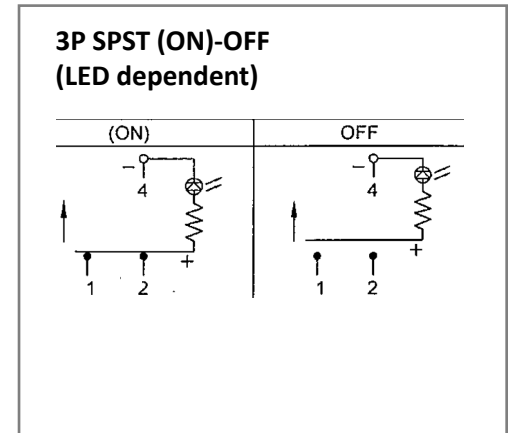
Tolerances  $\pm 0.012$  [0.3] Unless Otherwise Specified



## Mounting Hole



## Circuit Diagram



## Electrical Specifications

Rating	20A 14V DC
Contact Resistance	50m ohm Max.
Insulation Resistance	DC 500V 100M ohm Min
Dielectric Strength	AC 1500V 1 minute
Operation Temperature	-25°C ~ 85°C

## Material Specifications

Frame	Black, Nylon 66 (94-V2)
Actuator	Red
Terminals	Silver Plated, Copper Alloy
Waterproof Rubber	Black, Silicone IP65
LED	Red

**Rev**    **Date of issue**    **Revision Notes**

**Designed**    **Approved**

A	05-18-2021	Initial Drawing	RC	OF
---	------------	-----------------	----	----