

MXC6655-B

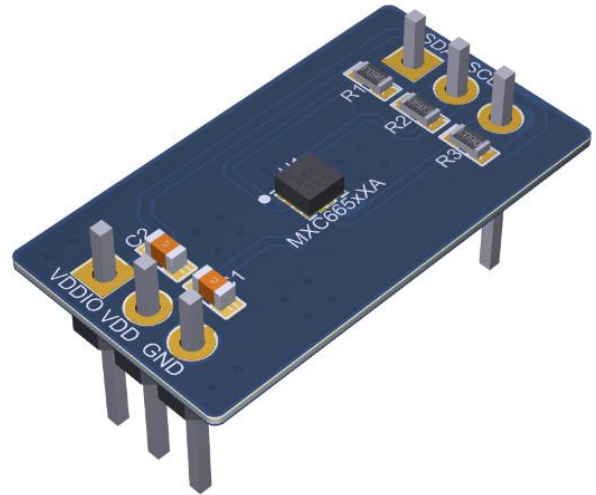
GENERAL DESCRIPTION

The MXC6655-B provides a convenient and easy way to evaluate and prototype with MXC6655 the three axes accelerometer. The accelerometer and passive components are SMT mounted on the board. Each pin of the MXC6655 SMT device is brought out to standard 0.10 inch on center connections on the sides of the prototyping board. Wires can either be soldered directly to the prototyping board or the DIP pins can be used with widely available breadboard kits.

For complete performance specifications of MXC6655 refer to MXC6655 datasheet.

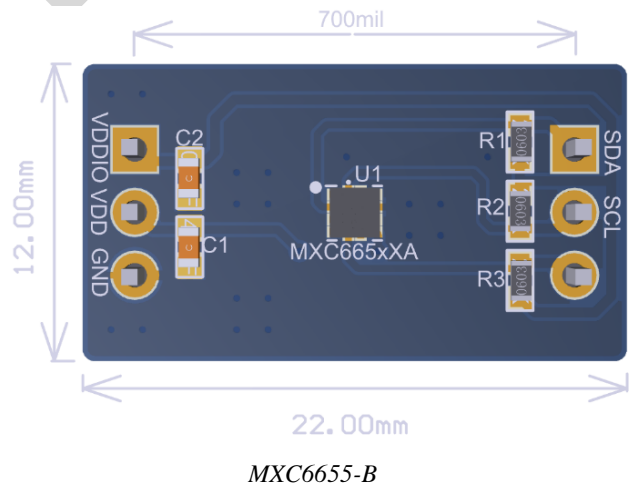
PIN DESCRIPTION

Pin	Name	Description
P1-1	VDDIO	I2C Supply Voltage
P1-2	VDD3V	Power
P1-3	GND	Ground
P2-1	SDA	I2C SDA
P2-2	SCL	I2C SCL
P2-3	INT	Interrupt Output



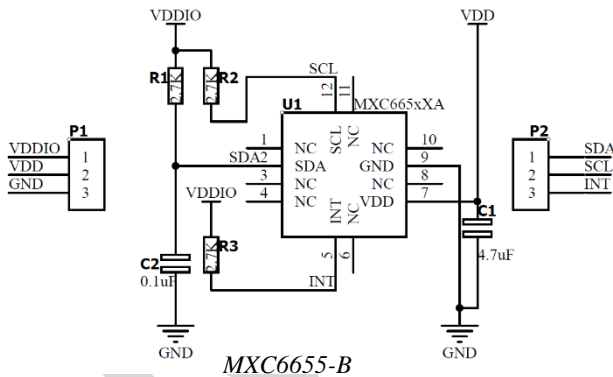
MXC6655-B

PCB OUTLINE AND CONNECTION DIMENSIONS



MXC6655-B

SCHEMATIC OF THE MXC6655-B



MXC6655-B

Information furnished by MEMSIC is believed to be accurate and reliable. However, no responsibility is assumed by MEMSIC for its use, nor for any infringements of patents or other rights of third parties, which may result from its use. No license is granted by implication or otherwise under any patent or patent rights of MEMSIC.

MEMSIC Semiconductor (Wuxi) Co., Ltd.
 No.2 Xinhuihuan Road, Xinwu District, Wuxi, Jiangsu, China
 Tel: +86-510-66616668 Fax: +86-510-66616669
www.memsic.com