



- FM (FSK) Key fob
- Sleek and compact design
- Range up to 200metres
- 1 - 8 Switch variants
- 433/868/918MHz Versions
- Waterproof IP68 Rated
- CR2032 battery
- High Quality UK manufacture
- Can easily be Customised
- CE Compliant & FCC Certified

## Description

FOBBER is a versatile, multi-function, FM key fob Radio Transmitter, capable of up to 200 metres range with up one to eight switches which can be in several positions.

Each FOBBER contains a unique serial number and can be paired with many RF Receivers from miniature SMT modules to complete Housed Relay units with digital and serial data outputs, together providing an easy design-in Remote Control Solutions.

The front face membrane Overlay may easily be customised to bespoke design Logos etc Key fob with a multitude of switch positions.

# FOBBER Key Fob



## Part Numbers

433MHz Intended for use in N.America/Europe			
Part Number	Description	Freq (MHz)	Range** (Metres)
FOBBER-4T1	Key fob 1 switch	433.92	100
FOBBER-4T2	Key fob 2 switch		
FOBBER-4T3	Key fob 3 switch		
FOBBER-4T4	Key fob 4 switch		
FOBBER-4T6	Key fob 6 switch		
FOBBER-4T8	Key fob 8 switch		

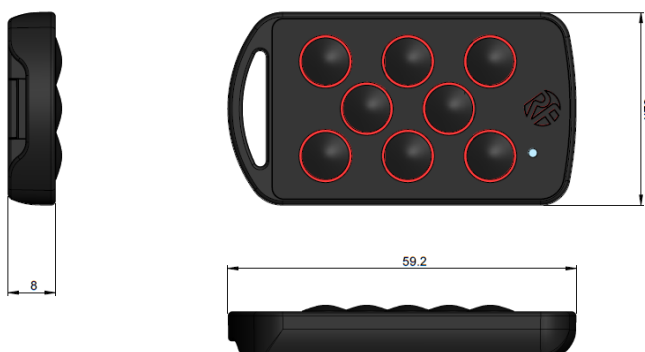
868MHz Intended for use in Europe			
Part Number	Description	Freq (MHz)	Range** (Metres)
FOBBER-8T1	Key fob 1 switch	869.5	200
FOBBER-8TL1	Key fob 1 Switch Latching on/off		
FOBBER-8T2	Key fob 2 switch		
FOBBER-8TL2	Key fob 2 ch Latching on/off		
FOBBER-8T3	Key fob 3 switch		
FOBBER-8T4	Key fob 4 switch		
FOBBER-8T6	Key fob 4 Switch with All On/Off		
FOBBER-8T8	Key fob 8 switch		

918MHz Intended for use in N.America/ Australia			
Part Number	Description	Freq (MHz)	Range** (Metres)
FOBBER-9T1	Key fob 1 switch	918.0	200
FOBBER-9TL1	Key fob 1 Switch Latching on/off		
FOBBER-9T2	Key fob 2 switch		
FOBBER-9TL2	Key fob 2 ch Latching on/off		
FOBBER-9T3	Key fob 3 switch		
FOBBER-9T4	Key fob 4 switch		
FOBBER-9T6	Key fob 4 Switch with All On/Off		
FOBBER-9T8	Key fob 8 switch		

\*\* Range stated is optimal, in some conditions this may be considerably reduced.

## Mechanical Dimensions:

(All dimensions in mm)



# FOBBER Key Fob



## Custom Versions

The top Face Overlay Label may be customised to incorporate custom Branding / colours. Please contact our sales department for further information, availability and cost.



Custom Hydrographics is also available for these fobber keyfobs. Please enquire with our sales team.

# FOBBER Key Fob

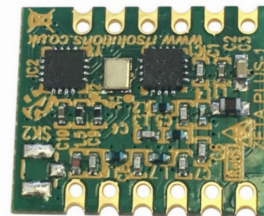
## Easy Embedded Remote Control



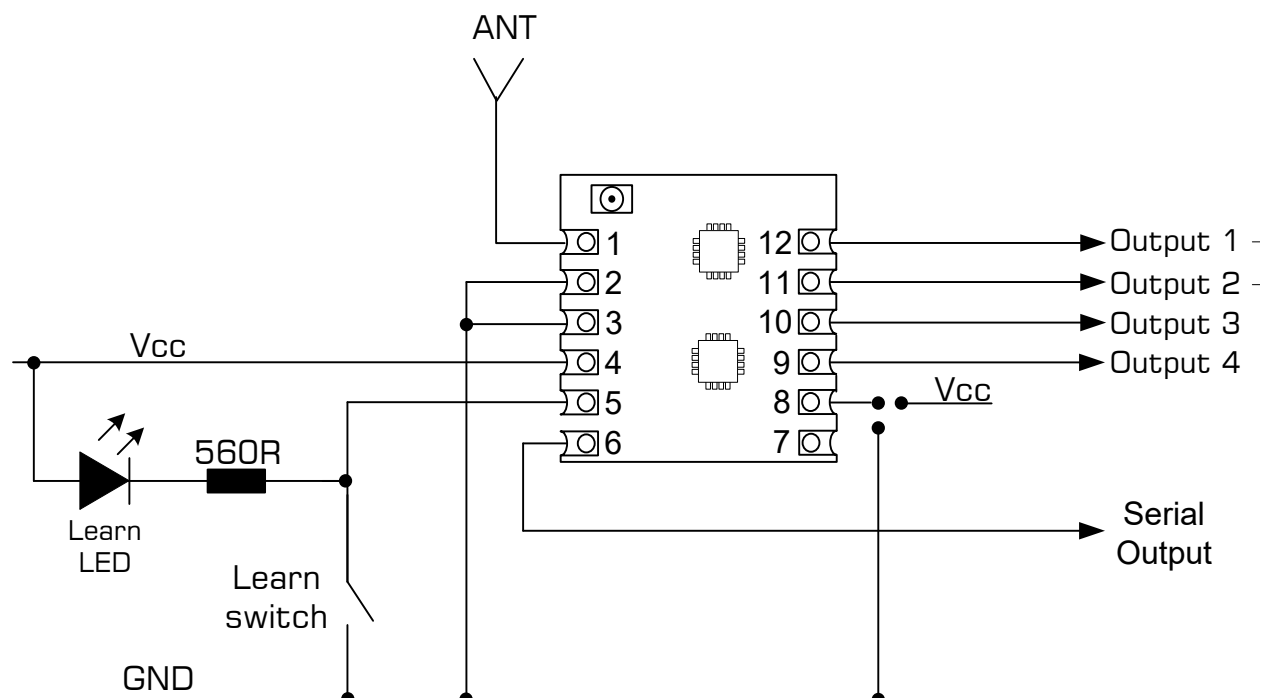
FOBBER



ZPT Module  
(SMT or DIL options)



## ZPT example application circuit



### Description:

This example shows a ZPT module receiver with all 4 outputs connected.

Note: The external learn switch and learn LED are both shown connected in this example.



# FOBBER Key Fob

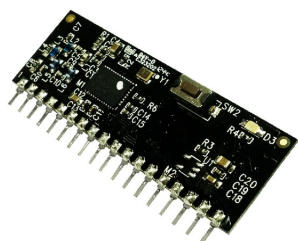


## Compatible Receivers

Each key fob transmitter is pre programmed with a unique identity (one of 16 billion possible numbers), the identity number transmitted on each press of the switch. Most receivers can learn the identity of up to 50 unique transmitters.

**Note:** The same transmitter may be taught to any number of receivers to create 'master keys'.

**ZPT Module** – 433 or 868 MHz Smart Radio module with 4 Digital and serial data output.



**BRAVO-T868** - 868 MHz SMART Radio Module with 8 digital outputs.

**QUANTA-4R4** (433 MHz)

**TRAP-RX** (868 MHz)

12-32V receiver with 4 relay Changeover Contacts, housed in an IP68 Enclosure



**ESPRIT-4R4** - 433 MHz 12/24Vdc or 110Vac powered

**ELITE-RX** - 868 MHz 12/24Vdc or 230Vac powered

Receivers with 4 relay changeover contacts for home automation or light industrial applications. The enclosure is IP68.

**725-TRX8** - 868MHz

Din Rail 12—24V receiver with 2 relay Changeover Contacts expandable to 16 Relay changeover contacts using additional modules



## Technical Specifications

Electrical Characteristics	Min	Typical	Max	Units
Operating Temperature	-10		80	degC
Supply Voltage	2.0	3	3.3	V
Supply Current : Quiescent		<1		uA
Supply Current : Transmitting		17		mA
Operating frequency		433.920 869.500 918.000		MHz
Bandwidth (FSK Deviation pk-pk) 433 &n868MHz 918MHz		60 500		KHz
Output Power 433.920 869.500 918.000			+10 +13 +13	dBm

### FCC Compliance (433MHz products)

This device complies with part 15 of the FCC Rules. Operation is subject to the following two conditions: (1) This device may not cause harmful interference, and (2) this device must accept any interference, including interference that may cause undesired operation. Changes or modifications not expressly approved by the party responsible for compliance could void the user's authority to operate the equipment.

### European compliance information (433 and 868MHZ Products)

This RF Solutions product meets the essential requirements of the European Radio Equipment Directive 2014/53/EU and has been tested to European Harmonised Standards and CE marked accordingly. A copy of the EU Declaration of Conformity can be located on the RF Solutions Website,

[www.rfsolutions.co.uk/certification-i59](http://www.rfsolutions.co.uk/certification-i59).

### FCC Compliance (918MHz products)

At the time of writing we are currently in the certification stage for both USA and Australia

### Replacing the battery

Remove the screws holding the back panel in place. Open the case and change the battery. Ensure you check the orientation of the battery.

Battery Type CR2032 (supplied)



## Simplified Declaration of Conformity (RED)

**BG** - С настоящото RF Solutions Limited декларира, че този тип радиосъоръжение дефинирани в този документ е в съответствие с Директива 2014/53/EC. Цялостният текст на ЕС декларацията за съответствие може да се намери на следния интернет адрес: [www.rfsolutions.co.uk](http://www.rfsolutions.co.uk)

**CS** - Tímto RF Solutions Limited prohlašuje, že typ rádiového zařízení definované v tomto dokumentu je v souladu se směrnicí 2014/53/EU. Úplně znění EU prohlášení o shodě je k dispozici na této internetové adrese: [www.rfsolutions.co.uk](http://www.rfsolutions.co.uk)

**DA** - Hermed erklærer RF Solutions Limited, at radioudstyrstypen defineret i dette dokument er i overensstemmelse med direktiv 2014/53/EU. EU-overensstemmelseserklæringens fulde tekst kan findes på følgende internetadresse: [www.rfsolutions.co.uk](http://www.rfsolutions.co.uk)

**DE** - Hiermit erklärt RF Solutions Limited, dass der Funkanlagentyp in diesem Dokument definiert der Richtlinie 2014/53/EU entspricht. Der vollständige Text der EU-Konformitätserklärung ist unter der folgenden Internetadresse verfügbar: [www.rfsolutions.co.uk](http://www.rfsolutions.co.uk)

**EL** - Με την παρούσα ο/η RF Solutions Limited, δηλώνει ότι ο ραδιοεξοπλισμός ορίζεται σε αυτό το έγγραφο πληροί την οδηγία 2014/53/ΕΕ. Το πλήρες κείμενο της δήλωσης συμμόρφωσης ΕΕ διατίθεται στην ακόλουθη ιστοσελίδα στο διαδίκτυο: [www.rfsolutions.co.uk](http://www.rfsolutions.co.uk)

**EN** - Hereby, RF Solutions Limited declares that the radio equipment type defined within this document is in compliance with Directive 2014/53/EU. The full text of the EU declaration of conformity is available at the following internet address: [www.rfsolutions.co.uk](http://www.rfsolutions.co.uk)

**ES** - Por la presente, RF Solutions Limited declara que el tipo de equipo radioeléctrico definido dentro de este documento es conforme con la Directiva 2014/53/UE. El texto completo de la declaración UE de conformidad está disponible en la dirección Internet siguiente: [www.rfsolutions.co.uk](http://www.rfsolutions.co.uk)

**ET** - Käesolevaga deklareerib RF Solutions Limited, et käesolev raadioseadme tüüp määratletud selles dokumendis vastab direktiivi 2014/53/EL nõuetele. ELi vastavusdeklaratsiooni täielik tekst on kättesaadav järgmisel internetiaadressil: [www.rfsolutions.co.uk](http://www.rfsolutions.co.uk)

**FI** - RF Solutions Limited vakuuttaa, että radiolaitetyypin määrättyä selles dokumentissa on direktiivin 2014/53/EU mukainen. EU-vaatimusten mukaisuusvakuutuksen täysimittainen teksti on saatavilla seuraavassa internetosoitteessa: [www.rfsolutions.co.uk](http://www.rfsolutions.co.uk)

**FR** - Le soussigné, RF Solutions Limited, déclare que l'équipement radioélectrique du type défini dans ce document est conforme à la directive 2014/53/UE. Le texte complet de la déclaration UE de conformité est disponible à l'adresse internet suivante: [www.rfsolutions.co.uk](http://www.rfsolutions.co.uk)

**HR** - RF Solutions Limited ovime izjavljuje da je radijska oprema tipa definirani u ovom dokumentu u skladu s Direktivom 2014/53/EU. Cjeloviti tekst EU izjave o skladnosti dostupan je na sljedećoj internetskoj adresi: [www.rfsolutions.co.uk](http://www.rfsolutions.co.uk)

**HU** - RF Solutions Limited igazolja, hogy a dokumentumban meghatározottak szerint típusú rádióberendezés megfelel a 2014/53/EU irányelvnek. Az EU-megfelelőségi nyilatkozat teljes szövege elérhető a következő internetes címen: [www.rfsolutions.co.uk](http://www.rfsolutions.co.uk)

**IT** - Il fabbricante, RF Solutions Limited, dichiara che il tipo di apparecchiatura radio definito all'interno di questo documento è conforme alla direttiva 2014/53/UE. Il testo completo della dichiarazione di conformità UE è disponibile al seguente indirizzo Internet: [www.rfsolutions.co.uk](http://www.rfsolutions.co.uk)

**LT** - Aš, RF Solutions Limited, patvirtinu, kad radijo įrenginių tipas apibrėžta šiame dokumente atitinka Direktyvą 2014/53/ES. Visas ES atitikties deklaracijos tekstas prieinamas šiuo interneto adresu: [www.rfsolutions.co.uk](http://www.rfsolutions.co.uk)

**LV** - Ar šo RF Solutions Limited deklarē, ka radioiekārta kas definēts šajā dokumentā atbilst Direktīvai 2014/53/ES. Pilns ES atbilstības deklarācijas teksts ir pieejams šādā interneta vietnē: [www.rfsolutions.co.uk](http://www.rfsolutions.co.uk)

**MT** - B'dan, RF Solutions Limited, niddikjara li dan it-tip ta' tagħmir tar-radju definit f'dan id-dokument huwa konformi mad-Direttiva 2014/53/UE. It-test kollu tad-dikjarazzjoni ta' konformità tal-UE huwa disponibbli f'dan l-indirizz tal-Internet li ġej: [www.rfsolutions.co.uk](http://www.rfsolutions.co.uk)

**NL** - Hierbij verklaar ik, RF Solutions Limited, dat het type radioapparatuur gedefinieerd in dit document conform is met Richtlijn 2014/53/EU. De volledige tekst van de EU-conformiteitsverklaring kan worden geraadpleegd op het volgende internetadres: [www.rfsolutions.co.uk](http://www.rfsolutions.co.uk)

**PL** - RF Solutions Limited niniejszym oświadczam, że typ urządzenia radiowego zdefiniowane w tym dokumencie jest zgodny z dyrektywą 2014/53/UE. Pełny tekst deklaracji zgodności UE jest dostępny pod następującym adresem internetowym: [www.rfsolutions.co.uk](http://www.rfsolutions.co.uk)

**PT** - O(a) abaixo assinado(a) RF Solutions Limited declara que o presente tipo de equipamento de rádio definido neste documento está em conformidade com a Diretiva 2014/53/UE. O texto integral da declaração de conformidade está disponível no seguinte endereço de Internet: [www.rfsolutions.co.uk](http://www.rfsolutions.co.uk)

**RO** - Prin prezenta, RF Solutions Limited declară că tipul de echipamente radio definit în acest document este în conformitate cu Directiva 2014/53/UE. Textul integral al declarației UE de conformitate este disponibil la următoarea adresă internet: [www.rfsolutions.co.uk](http://www.rfsolutions.co.uk)

**SK** - RF Solutions Limited týmto vyhlasuje, že rádiové zariadenie typu definované v tomto dokumente je v súlade so smernicou 2014/53/EÚ. Úplné EÚ vyhlásenie o zhode je k dispozícii na tejto internetovej adrese: [www.rfsolutions.co.uk](http://www.rfsolutions.co.uk)

**SL** - RF Solutions Limited potrjuje, da je tip radijske opreme opredeljeno v tem dokumentu skladen z Direktivo 2014/53/EU. Celotno besedilo izjave EU o skladnosti je na voljo na naslednjem spletnem naslovu: [www.rfsolutions.co.uk](http://www.rfsolutions.co.uk)

**SV** - Härmed försäkrar RF Solutions Limited att denna typ av radioutrustning definieras i detta dokument överensstämmer med direktiv 2014/53/EU. Den fullständiga texten till EU-försäkran om överensstämmelse finns på följande webbadress: [www.rfsolutions.co.uk](http://www.rfsolutions.co.uk)

### RF Solutions Ltd. Recycling Notice

Meets the following EC Directives:

#### DO NOT

Discard with normal waste, please recycle.

#### ROHS Directive 2011/65/EU and amendment 2015/863/EU

Specifies certain limits for hazardous substances.

#### WEEE Directive 2012/19/EU

Waste electrical & electronic equipment. This product must be disposed of through a licensed WEEE collection point. RF Solutions Ltd., fulfils its WEEE obligations by membership of an approved compliance scheme, environment agency registration number **WEE/JB0104WV**.



### Waste Batteries and Accumulators Directive 2006/66/EC

Where batteries are fitted, before recycling the product, the batteries must be removed and disposed of at a licensed collection point.

RF Solutions battery producer number **BPRN00060**.

#### Disclaimer:

Whilst the information in this document is believed to be correct at the time of issue, RF Solutions Ltd does not accept any liability whatsoever for its accuracy, adequacy or completeness. No express or implied warranty or representation is given relating to the information contained in this document. RF Solutions Ltd reserves the right to make changes and improvements to the product(s) described herein without notice. Buyers and other users should determine for themselves the suitability of any such information or products for their own particular requirements or specifications. RF Solutions Ltd shall not be liable for any loss or damage caused as a result of user's own determination of how to deploy or use RF Solutions Ltd's products. Use of RF Solutions Ltd products or components in life support and/or safety applications is not authorised except with express written approval. No licences are created, implicitly or otherwise, under any of RF Solutions Ltd's intellectual property rights. Liability for loss or damage resulting or caused by reliance on the information contained herein or from the use of the product (including liability resulting from negligence or where RF Solutions Ltd was aware of the possibility of such loss or damage arising) is excluded. This will not operate to limit or restrict RF Solutions Ltd's liability for death or personal injury resulting from its negligence.

[www.rfsolutions.co.uk](http://www.rfsolutions.co.uk)

RF Solutions Ltd

William Alexander House, William Way, Burgess Hill, West Sussex, RH15 9AG

Sales: +44 (0)1444 227900

Tech Support: +44 (0)1444 227909