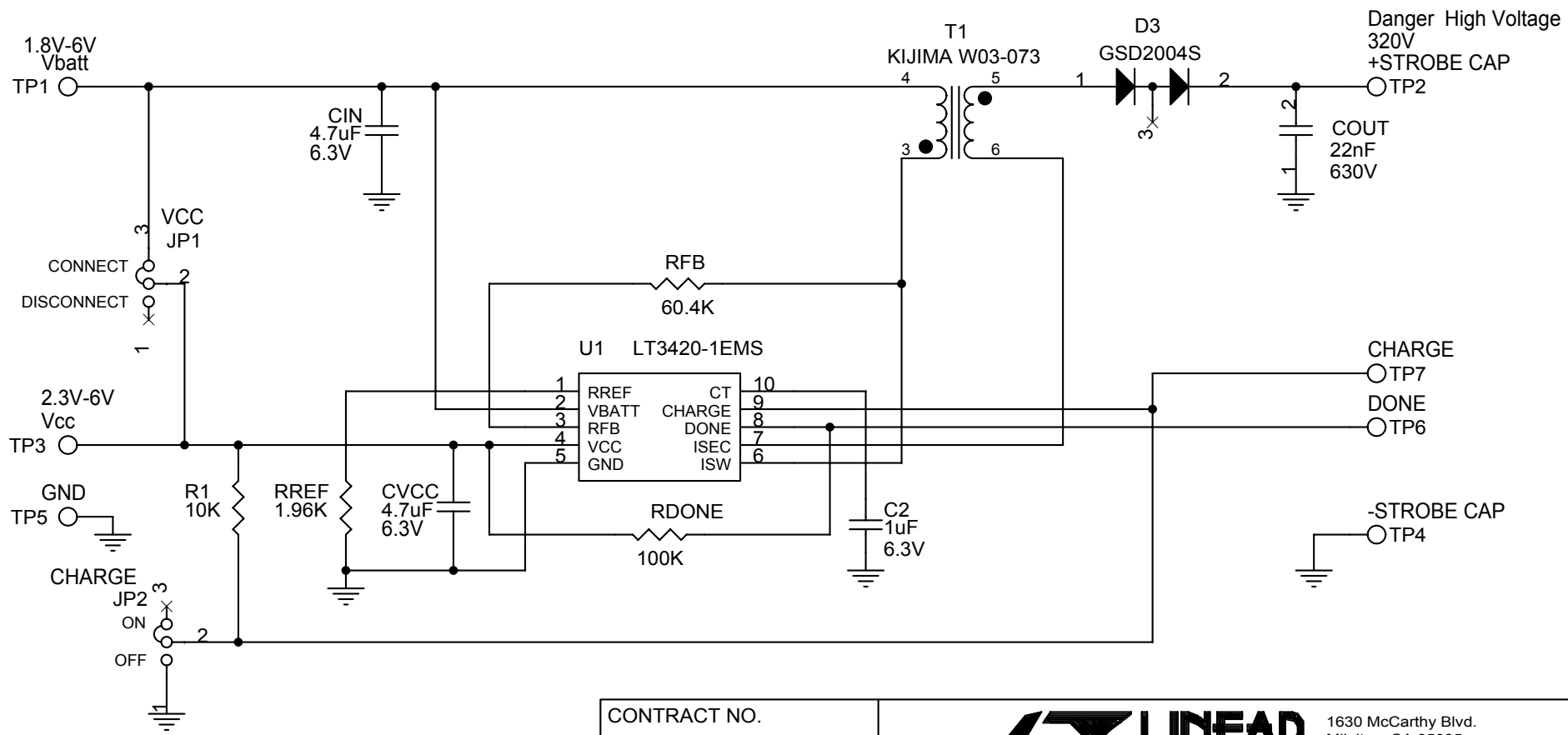



This circuit is proprietary to Linear Technology and supplied for use with Linear Technology parts.

Customer Notice: Linear Technology has made a best effort to design a circuit that meets customer-supplied specifications; however, it remains the customer's responsibility to verify proper and reliable operation in the actual application. Component substitution and printed circuit board layout may significantly affect circuit performance or reliability. Contact Linear Applications Engineering for assistance.

REVISION HISTORY				
ECO	REV	DESCRIPTION	DATE	APPROVED
	1	PROTO	06/06/03	



CONTRACT NO.		 1630 McCarthy Blvd. Milpitas, CA 95035 Phone: (408)432-1900 Fax: (408)434-0507			
APPROVALS	DATE				
DRAWN MEI	06/06/03	TITLE SCH, LT3420-1EMS STROBE CAPACITOR CHARGER, HIGH VOLTAGE SUPPLY			
CHECKED					
APPROVED					
ENGINEER					
DESIGNER		SIZE	CAGE CODE	DWG NO	REV
				DC690A	1
Wednesday, October 29, 2003		SCALE:	FILENAME: 690A-2.DSN	SHEET 1 OF 1	