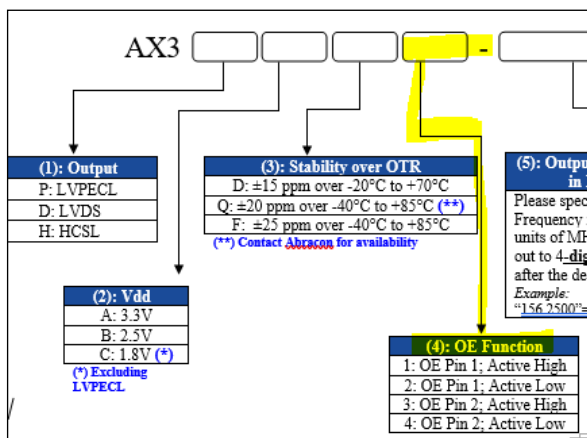


ECN/PCN No.: 3445

For Manufacturer			
Product Description: Ultra-Low Jitter, Fixed-Frequency SMD Clock Oscillator	Abracon Part Number / Part Series: AX3	<input type="checkbox"/> Documentation only <input checked="" type="checkbox"/> ECN <input type="checkbox"/> EOL	<input checked="" type="checkbox"/> Series <input type="checkbox"/> Part Number
Affected Revision: C	New Revision: D	Application:	<input type="checkbox"/> Safety <input checked="" type="checkbox"/> Non-Safety

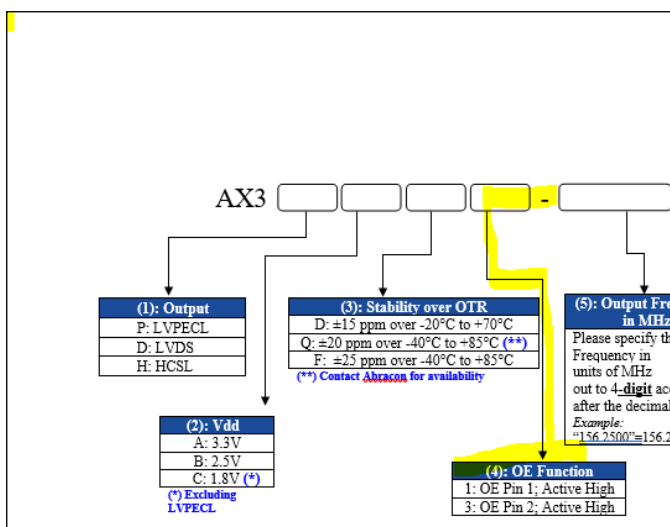
Prior to Change:

- Electrical Specifications
 - Output High Voltage (V_{OH}), LVPECL Max: **$V_{dd}-0.60\text{ V}$**
 - Output High Voltage (V_{OH}), HCSL Min: **0.66 V**
- Part Number Builder – OE Function Options
 - 1: OE Pin 1; Active High
 - 2: OE Pin 1; Active Low
 - 3: OE Pin 2; Active High
 - 4: OE Pin 2; Active Low



After Change:

- Electrical Specifications
 - Output High Voltage (V_{OH}), LVPECL Max: **$V_{dd}-0.88\text{ V}$**
 - Output High Voltage (V_{OH}), HCSL Min: **0.4 V**
- Part Number Builder – OE Function Options
 - 1: OE Pin 1; Active High
 - 3: OE Pin 2; Active High



Cause/Reason for Change:

Incorrect electrical specifications selected on datasheet and unavailable performance options, specific to the output enable/disable pin, included on datasheet. The electrical specifications have been corrected and the unavailable performance options removed.

Change Plan		
Effective Date: 5/5/2021	Additional Remarks: N/A	
Change Declaration: <ul style="list-style-type: none"> This statement addresses both the electrical and mechanical changes of the product series. The electrical changes outlined in this ECN impact the electrical performance of this device. The differential output voltage boundary specifications were changed, and the device cannot be toggled active via a logic low/GND signal. The mechanical changes outlined in this ECN do not impact the mechanical performance of the device. 		
Issued Date: 5/5/2021	Issued By: <i>Brooke Cushman</i> Product Engineer	Issued Department: Engineering
Approval: <i>Thomas Culhane</i> Engineering Director	Approval: <i>Reuben Quintanilla</i> Quality Director	Approval: <i>Ying Huang</i> Purchasing Director
For Abracon EOL only		
Last Time Buy (if applicable): N/A	Alternate Part Number / Part Series: N/A	
Additional Approval: N/A	Additional Approval: N/A	Additional Approval: N/A
Customer Approval (If Applicable)		
Qualification Status: <div style="text-align: center; margin-top: 5px;"> <input type="checkbox"/> Approved <input type="checkbox"/> Not accepted </div> <p style="font-size: small; margin-top: 5px;"><i>Note: It is considered approved if there is no feedback from the customer 1 month after ECN/PCN is released.</i></p>		
Customer Part Number:		Customer Project:
Company Name:	Company Representative:	Representative Signature:
Customer Remarks:		
Affected Part Numbers		
AX3DAF2-100.0000 AX3DAF2-100.0000T AX3DAF2-100.0000T3 AX3DAF2-114.0000 AX3DAF2-114.0000T AX3DAF2-114.0000T3 AX3DAF2-114.2850 AX3DAF2-114.2850T AX3DAF2-114.2850T3 AX3DAF2-120.0000 AX3DAF2-120.0000T AX3DAF2-120.0000T3 AX3DAF2-122.8800 AX3DAF2-122.8800T AX3DAF2-122.8800T3 AX3DAF2-125.0000 AX3DAF2-125.0000T AX3DAF2-125.0000T3		

AX3DAF2-135.0000
AX3DAF2-135.0000T
AX3DAF2-135.0000T3
AX3DAF2-148.5000
AX3DAF2-148.5000T
AX3DAF2-148.5000T3
AX3DAF2-150.0000
AX3DAF2-150.0000T
AX3DAF2-150.0000T3
AX3DAF2-155.5200
AX3DAF2-155.5200T
AX3DAF2-155.5200T3
AX3DAF2-156.2500
AX3DAF2-156.2500T
AX3DAF2-156.2500T3
AX3DAF2-200.0000
AX3DAF2-200.0000T
AX3DAF2-200.0000T3
AX3DAF4-100.0000
AX3DAF4-100.0000T
AX3DAF4-100.0000T3
AX3DAF4-114.0000
AX3DAF4-114.0000T
AX3DAF4-114.0000T3
AX3DAF4-114.2850
AX3DAF4-114.2850T
AX3DAF4-114.2850T3
AX3DAF4-120.0000
AX3DAF4-120.0000T
AX3DAF4-120.0000T3
AX3DAF4-122.8800
AX3DAF4-122.8800T
AX3DAF4-122.8800T3
AX3DAF4-125.0000
AX3DAF4-125.0000T
AX3DAF4-125.0000T3
AX3DAF4-135.0000
AX3DAF4-135.0000T
AX3DAF4-135.0000T3
AX3DAF4-148.5000
AX3DAF4-148.5000T
AX3DAF4-148.5000T3
AX3DAF4-150.0000
AX3DAF4-150.0000T
AX3DAF4-150.0000T3
AX3DAF4-155.5200
AX3DAF4-155.5200T
AX3DAF4-155.5200T3
AX3DAF4-156.2500
AX3DAF4-156.2500T
AX3DAF4-156.2500T3
AX3DAF4-200.0000
AX3DAF4-200.0000T
AX3DAF4-200.0000T3
AX3DBF2-100.0000
AX3DBF2-100.0000T
AX3DBF2-100.0000T3
AX3DBF2-114.0000
AX3DBF2-114.0000T
AX3DBF2-114.0000T3

AX3DBF2-114.2850
AX3DBF2-114.2850T
AX3DBF2-114.2850T3
AX3DBF2-120.0000
AX3DBF2-120.0000T
AX3DBF2-120.0000T3
AX3DBF2-122.8800
AX3DBF2-122.8800T
AX3DBF2-122.8800T3
AX3DBF2-125.0000
AX3DBF2-125.0000T
AX3DBF2-125.0000T3
AX3DBF2-135.0000
AX3DBF2-135.0000T
AX3DBF2-135.0000T3
AX3DBF2-148.5000
AX3DBF2-148.5000T
AX3DBF2-148.5000T3
AX3DBF2-150.0000
AX3DBF2-150.0000T
AX3DBF2-150.0000T3
AX3DBF2-155.5200
AX3DBF2-155.5200T
AX3DBF2-155.5200T3
AX3DBF2-156.2500
AX3DBF2-156.2500T
AX3DBF2-156.2500T3
AX3DBF2-200.0000
AX3DBF2-200.0000T
AX3DBF2-200.0000T3
AX3DBF4-100.0000
AX3DBF4-100.0000T
AX3DBF4-100.0000T3
AX3DBF4-114.0000
AX3DBF4-114.0000T
AX3DBF4-114.0000T3
AX3DBF4-114.2850
AX3DBF4-114.2850T
AX3DBF4-114.2850T3
AX3DBF4-120.0000
AX3DBF4-120.0000T
AX3DBF4-120.0000T3
AX3DBF4-122.8800
AX3DBF4-122.8800T
AX3DBF4-122.8800T3
AX3DBF4-125.0000
AX3DBF4-125.0000T
AX3DBF4-125.0000T3
AX3DBF4-135.0000
AX3DBF4-135.0000T
AX3DBF4-135.0000T3
AX3DBF4-148.5000
AX3DBF4-148.5000T
AX3DBF4-148.5000T3
AX3DBF4-150.0000
AX3DBF4-150.0000T
AX3DBF4-150.0000T3
AX3DBF4-155.5200
AX3DBF4-155.5200T
AX3DBF4-155.5200T3

AX3DBF4-156.2500
AX3DBF4-156.2500T
AX3DBF4-156.2500T3
AX3DBF4-200.0000
AX3DBF4-200.0000T
AX3DBF4-200.0000T3
AX3DCF2-100.0000
AX3DCF2-100.0000T
AX3DCF2-100.0000T3
AX3DCF2-114.0000
AX3DCF2-114.0000T
AX3DCF2-114.0000T3
AX3DCF2-114.2850
AX3DCF2-114.2850T
AX3DCF2-114.2850T3
AX3DCF2-120.0000
AX3DCF2-120.0000T
AX3DCF2-120.0000T3
AX3DCF2-122.8800
AX3DCF2-122.8800T
AX3DCF2-122.8800T3
AX3DCF2-125.0000
AX3DCF2-125.0000T
AX3DCF2-125.0000T3
AX3DCF2-135.0000
AX3DCF2-135.0000T
AX3DCF2-135.0000T3
AX3DCF2-148.5000
AX3DCF2-148.5000T
AX3DCF2-148.5000T3
AX3DCF2-150.0000
AX3DCF2-150.0000T
AX3DCF2-150.0000T3
AX3DCF2-155.5200
AX3DCF2-155.5200T
AX3DCF2-155.5200T3
AX3DCF2-156.2500
AX3DCF2-156.2500T
AX3DCF2-156.2500T3
AX3DCF2-200.0000
AX3DCF2-200.0000T
AX3DCF2-200.0000T3
AX3DCF4-100.0000
AX3DCF4-100.0000T
AX3DCF4-100.0000T3
AX3DCF4-114.0000
AX3DCF4-114.0000T
AX3DCF4-114.0000T3
AX3DCF4-114.2850
AX3DCF4-114.2850T
AX3DCF4-114.2850T3
AX3DCF4-120.0000
AX3DCF4-120.0000T
AX3DCF4-120.0000T3
AX3DCF4-122.8800
AX3DCF4-122.8800T
AX3DCF4-122.8800T3
AX3DCF4-125.0000
AX3DCF4-125.0000T
AX3DCF4-125.0000T3

AX3DCF4-135.0000
AX3DCF4-135.0000T
AX3DCF4-135.0000T3
AX3DCF4-148.5000
AX3DCF4-148.5000T
AX3DCF4-148.5000T3
AX3DCF4-150.0000
AX3DCF4-150.0000T
AX3DCF4-150.0000T3
AX3DCF4-155.5200
AX3DCF4-155.5200T
AX3DCF4-155.5200T3
AX3DCF4-156.2500
AX3DCF4-156.2500T
AX3DCF4-156.2500T3
AX3DCF4-200.0000
AX3DCF4-200.0000T
AX3DCF4-200.0000T3
AX3HAF1-100.0000
AX3HAF1-100.0000T
AX3HAF1-100.0000T3
AX3HAF1-100.000MHZ
AX3HAF1-114.0000
AX3HAF1-114.0000T
AX3HAF1-114.0000T3
AX3HAF1-114.2850
AX3HAF1-114.2850T
AX3HAF1-114.2850T3
AX3HAF1-120.0000
AX3HAF1-120.0000T
AX3HAF1-120.0000T3
AX3HAF1-122.8800
AX3HAF1-122.8800T
AX3HAF1-122.8800T3
AX3HAF1-125.0000
AX3HAF1-125.0000T
AX3HAF1-125.0000T3
AX3HAF1-135.0000
AX3HAF1-135.0000T
AX3HAF1-135.0000T3
AX3HAF1-148.5000
AX3HAF1-148.5000T
AX3HAF1-148.5000T3
AX3HAF1-150.0000
AX3HAF1-150.0000T
AX3HAF1-150.0000T3
AX3HAF1-155.5200
AX3HAF1-155.5200T
AX3HAF1-155.5200T3
AX3HAF1-156.2500
AX3HAF1-156.2500T
AX3HAF1-156.2500T3
AX3HAF1-200.0000
AX3HAF1-200.0000T
AX3HAF1-200.0000T3
AX3HAF2-100.0000
AX3HAF2-100.0000T
AX3HAF2-100.0000T3
AX3HAF2-114.0000
AX3HAF2-114.0000T

AX3HAF2-114.0000T3
AX3HAF2-114.2850
AX3HAF2-114.2850T
AX3HAF2-114.2850T3
AX3HAF2-120.0000
AX3HAF2-120.0000T
AX3HAF2-120.0000T3
AX3HAF2-122.8800
AX3HAF2-122.8800T
AX3HAF2-122.8800T3
AX3HAF2-125.0000
AX3HAF2-125.0000T
AX3HAF2-125.0000T3
AX3HAF2-135.0000
AX3HAF2-135.0000T
AX3HAF2-135.0000T3
AX3HAF2-148.5000
AX3HAF2-148.5000T
AX3HAF2-148.5000T3
AX3HAF2-150.0000
AX3HAF2-150.0000T
AX3HAF2-150.0000T3
AX3HAF2-155.5200
AX3HAF2-155.5200T
AX3HAF2-155.5200T3
AX3HAF2-156.2500
AX3HAF2-156.2500T
AX3HAF2-156.2500T3
AX3HAF2-200.0000
AX3HAF2-200.0000T
AX3HAF2-200.0000T3
AX3HAF3-100.0000
AX3HAF3-100.0000T
AX3HAF3-100.0000T3
AX3HAF3-114.0000
AX3HAF3-114.0000T
AX3HAF3-114.0000T3
AX3HAF3-114.2850
AX3HAF3-114.2850T
AX3HAF3-114.2850T3
AX3HAF3-120.0000
AX3HAF3-120.0000T
AX3HAF3-120.0000T3
AX3HAF3-122.8800
AX3HAF3-122.8800T
AX3HAF3-122.8800T3
AX3HAF3-125.0000
AX3HAF3-125.0000T
AX3HAF3-125.0000T3
AX3HAF3-135.0000
AX3HAF3-135.0000T
AX3HAF3-135.0000T3
AX3HAF3-148.5000
AX3HAF3-148.5000T
AX3HAF3-148.5000T3
AX3HAF3-150.0000
AX3HAF3-150.0000T
AX3HAF3-150.0000T3
AX3HAF3-155.5200
AX3HAF3-155.5200T

AX3HAF3-155.5200T3
AX3HAF3-156.2500
AX3HAF3-156.2500T
AX3HAF3-156.2500T3
AX3HAF3-200.0000
AX3HAF3-200.0000T
AX3HAF3-200.0000T3
AX3HAF4-100.0000
AX3HAF4-100.0000T
AX3HAF4-100.0000T3
AX3HAF4-114.0000
AX3HAF4-114.0000T
AX3HAF4-114.0000T3
AX3HAF4-114.2850
AX3HAF4-114.2850T
AX3HAF4-114.2850T3
AX3HAF4-120.0000
AX3HAF4-120.0000T
AX3HAF4-120.0000T3
AX3HAF4-122.8800
AX3HAF4-122.8800T
AX3HAF4-122.8800T3
AX3HAF4-125.0000
AX3HAF4-125.0000T
AX3HAF4-125.0000T3
AX3HAF4-135.0000
AX3HAF4-135.0000T
AX3HAF4-135.0000T3
AX3HAF4-148.5000
AX3HAF4-148.5000T
AX3HAF4-148.5000T3
AX3HAF4-150.0000
AX3HAF4-150.0000T
AX3HAF4-150.0000T3
AX3HAF4-155.5200
AX3HAF4-155.5200T
AX3HAF4-155.5200T3
AX3HAF4-156.2500
AX3HAF4-156.2500T
AX3HAF4-156.2500T3
AX3HAF4-200.0000
AX3HAF4-200.0000T
AX3HAF4-200.0000T3
AX3HBF1-100.0000
AX3HBF1-100.0000T
AX3HBF1-100.0000T3
AX3HBF1-100.000MHZ
AX3HBF1-114.0000
AX3HBF1-114.0000T
AX3HBF1-114.0000T3
AX3HBF1-114.2850
AX3HBF1-114.2850T
AX3HBF1-114.2850T3
AX3HBF1-120.0000
AX3HBF1-120.0000T
AX3HBF1-120.0000T3
AX3HBF1-122.8800
AX3HBF1-122.8800T
AX3HBF1-122.8800T3
AX3HBF1-125.0000

AX3HBF1-125.0000T
AX3HBF1-125.0000T3
AX3HBF1-135.0000
AX3HBF1-135.0000T
AX3HBF1-135.0000T3
AX3HBF1-148.5000
AX3HBF1-148.5000T
AX3HBF1-148.5000T3
AX3HBF1-150.0000
AX3HBF1-150.0000T
AX3HBF1-150.0000T3
AX3HBF1-155.5200
AX3HBF1-155.5200T
AX3HBF1-155.5200T3
AX3HBF1-156.2500
AX3HBF1-156.2500T
AX3HBF1-156.2500T3
AX3HBF1-200.0000
AX3HBF1-200.0000T
AX3HBF1-200.0000T3
AX3HBF2-100.0000
AX3HBF2-100.0000T
AX3HBF2-100.0000T3
AX3HBF2-114.0000
AX3HBF2-114.0000T
AX3HBF2-114.0000T3
AX3HBF2-114.2850
AX3HBF2-114.2850T
AX3HBF2-114.2850T3
AX3HBF2-120.0000
AX3HBF2-120.0000T
AX3HBF2-120.0000T3
AX3HBF2-122.8800
AX3HBF2-122.8800T
AX3HBF2-122.8800T3
AX3HBF2-125.0000
AX3HBF2-125.0000T
AX3HBF2-125.0000T3
AX3HBF2-135.0000
AX3HBF2-135.0000T
AX3HBF2-135.0000T3
AX3HBF2-148.5000
AX3HBF2-148.5000T
AX3HBF2-148.5000T3
AX3HBF2-150.0000
AX3HBF2-150.0000T
AX3HBF2-150.0000T3
AX3HBF2-155.5200
AX3HBF2-155.5200T
AX3HBF2-155.5200T3
AX3HBF2-156.2500
AX3HBF2-156.2500T
AX3HBF2-156.2500T3
AX3HBF2-200.0000
AX3HBF2-200.0000T
AX3HBF2-200.0000T3
AX3HBF3-100.0000
AX3HBF3-100.0000T
AX3HBF3-100.0000T3
AX3HBF3-114.0000

AX3HBF3-114.0000T
AX3HBF3-114.0000T3
AX3HBF3-114.2850
AX3HBF3-114.2850T
AX3HBF3-114.2850T3
AX3HBF3-120.0000
AX3HBF3-120.0000T
AX3HBF3-120.0000T3
AX3HBF3-122.8800
AX3HBF3-122.8800T
AX3HBF3-122.8800T3
AX3HBF3-125.0000
AX3HBF3-125.0000T
AX3HBF3-125.0000T3
AX3HBF3-135.0000
AX3HBF3-135.0000T
AX3HBF3-135.0000T3
AX3HBF3-148.5000
AX3HBF3-148.5000T
AX3HBF3-148.5000T3
AX3HBF3-150.0000
AX3HBF3-150.0000T
AX3HBF3-150.0000T3
AX3HBF3-155.5200
AX3HBF3-155.5200T
AX3HBF3-155.5200T3
AX3HBF3-156.2500
AX3HBF3-156.2500T
AX3HBF3-156.2500T3
AX3HBF3-200.0000
AX3HBF3-200.0000T
AX3HBF3-200.0000T3
AX3HBF4-100.0000
AX3HBF4-100.0000T
AX3HBF4-100.0000T3
AX3HBF4-114.0000
AX3HBF4-114.0000T
AX3HBF4-114.0000T3
AX3HBF4-114.2850
AX3HBF4-114.2850T
AX3HBF4-114.2850T3
AX3HBF4-120.0000
AX3HBF4-120.0000T
AX3HBF4-120.0000T3
AX3HBF4-122.8800
AX3HBF4-122.8800T
AX3HBF4-122.8800T3
AX3HBF4-125.0000
AX3HBF4-125.0000T
AX3HBF4-125.0000T3
AX3HBF4-135.0000
AX3HBF4-135.0000T
AX3HBF4-135.0000T3
AX3HBF4-148.5000
AX3HBF4-148.5000T
AX3HBF4-148.5000T3
AX3HBF4-150.0000
AX3HBF4-150.0000T
AX3HBF4-150.0000T3
AX3HBF4-155.5200

AX3HBF4-155.5200T
AX3HBF4-155.5200T3
AX3HBF4-156.2500
AX3HBF4-156.2500T
AX3HBF4-156.2500T3
AX3HBF4-200.0000
AX3HBF4-200.0000T
AX3HBF4-200.0000T3
AX3HCF1-100.0000
AX3HCF1-100.0000T
AX3HCF1-100.0000T3
AX3HCF1-100.000MHZ
AX3HCF1-114.0000
AX3HCF1-114.0000T
AX3HCF1-114.0000T3
AX3HCF1-114.2850
AX3HCF1-114.2850T
AX3HCF1-114.2850T3
AX3HCF1-120.0000
AX3HCF1-120.0000T
AX3HCF1-120.0000T3
AX3HCF1-122.8800
AX3HCF1-122.8800T
AX3HCF1-122.8800T3
AX3HCF1-125.0000
AX3HCF1-125.0000T
AX3HCF1-125.0000T3
AX3HCF1-135.0000
AX3HCF1-135.0000T
AX3HCF1-135.0000T3
AX3HCF1-148.5000
AX3HCF1-148.5000T
AX3HCF1-148.5000T3
AX3HCF1-150.0000
AX3HCF1-150.0000T
AX3HCF1-150.0000T3
AX3HCF1-155.5200
AX3HCF1-155.5200T
AX3HCF1-155.5200T3
AX3HCF1-156.2500
AX3HCF1-156.2500T
AX3HCF1-156.2500T3
AX3HCF1-200.0000
AX3HCF1-200.0000T
AX3HCF1-200.0000T3
AX3HCF2-100.0000
AX3HCF2-100.0000T
AX3HCF2-100.0000T3
AX3HCF2-114.0000
AX3HCF2-114.0000T
AX3HCF2-114.0000T3
AX3HCF2-114.2850
AX3HCF2-114.2850T
AX3HCF2-114.2850T3
AX3HCF2-120.0000
AX3HCF2-120.0000T
AX3HCF2-120.0000T3
AX3HCF2-122.8800
AX3HCF2-122.8800T
AX3HCF2-122.8800T3

AX3HCF2-125.0000
AX3HCF2-125.0000T
AX3HCF2-125.0000T3
AX3HCF2-135.0000
AX3HCF2-135.0000T
AX3HCF2-135.0000T3
AX3HCF2-148.5000
AX3HCF2-148.5000T
AX3HCF2-148.5000T3
AX3HCF2-150.0000
AX3HCF2-150.0000T
AX3HCF2-150.0000T3
AX3HCF2-155.5200
AX3HCF2-155.5200T
AX3HCF2-155.5200T3
AX3HCF2-156.2500
AX3HCF2-156.2500T
AX3HCF2-156.2500T3
AX3HCF2-200.0000
AX3HCF2-200.0000T
AX3HCF2-200.0000T3
AX3HCF3-100.0000
AX3HCF3-100.0000T
AX3HCF3-100.0000T3
AX3HCF3-114.0000
AX3HCF3-114.0000T
AX3HCF3-114.0000T3
AX3HCF3-114.2850
AX3HCF3-114.2850T
AX3HCF3-114.2850T3
AX3HCF3-120.0000
AX3HCF3-120.0000T
AX3HCF3-120.0000T3
AX3HCF3-122.8800
AX3HCF3-122.8800T
AX3HCF3-122.8800T3
AX3HCF3-125.0000
AX3HCF3-125.0000T
AX3HCF3-125.0000T3
AX3HCF3-135.0000
AX3HCF3-135.0000T
AX3HCF3-135.0000T3
AX3HCF3-148.5000
AX3HCF3-148.5000T
AX3HCF3-148.5000T3
AX3HCF3-150.0000
AX3HCF3-150.0000T
AX3HCF3-150.0000T3
AX3HCF3-155.5200
AX3HCF3-155.5200T
AX3HCF3-155.5200T3
AX3HCF3-156.2500
AX3HCF3-156.2500T
AX3HCF3-156.2500T3
AX3HCF3-200.0000
AX3HCF3-200.0000T
AX3HCF3-200.0000T3
AX3HCF4-100.0000
AX3HCF4-100.0000T
AX3HCF4-100.0000T3

AX3HCF4-114.0000
AX3HCF4-114.0000T
AX3HCF4-114.0000T3
AX3HCF4-114.2850
AX3HCF4-114.2850T
AX3HCF4-114.2850T3
AX3HCF4-120.0000
AX3HCF4-120.0000T
AX3HCF4-120.0000T3
AX3HCF4-122.8800
AX3HCF4-122.8800T
AX3HCF4-122.8800T3
AX3HCF4-125.0000
AX3HCF4-125.0000T
AX3HCF4-125.0000T3
AX3HCF4-135.0000
AX3HCF4-135.0000T
AX3HCF4-135.0000T3
AX3HCF4-148.5000
AX3HCF4-148.5000T
AX3HCF4-148.5000T3
AX3HCF4-150.0000
AX3HCF4-150.0000T
AX3HCF4-150.0000T3
AX3HCF4-155.5200
AX3HCF4-155.5200T
AX3HCF4-155.5200T3
AX3HCF4-156.2500
AX3HCF4-156.2500T
AX3HCF4-156.2500T3
AX3HCF4-200.0000
AX3HCF4-200.0000T
AX3HCF4-200.0000T3
AX3PAD1-135.0000
AX3PAD1-150.0000
AX3PAD1-155.5200
AX3PAD1-156.2500
AX3PAF1-100.0000
AX3PAF1-100.0000T
AX3PAF1-100.0000T3
AX3PAF1-114.0000
AX3PAF1-114.0000T
AX3PAF1-114.0000T3
AX3PAF1-114.2850
AX3PAF1-114.2850T
AX3PAF1-114.2850T3
AX3PAF1-120.0000
AX3PAF1-120.0000T
AX3PAF1-120.0000T3
AX3PAF1-122.8800
AX3PAF1-122.8800T
AX3PAF1-122.8800T3
AX3PAF1-125.0000
AX3PAF1-125.0000T
AX3PAF1-125.0000T3
AX3PAF1-135.0000
AX3PAF1-135.0000T
AX3PAF1-135.0000T3
AX3PAF1-148.5000
AX3PAF1-148.5000T

AX3PAF1-148.5000T3
AX3PAF1-150.0000
AX3PAF1-150.0000T
AX3PAF1-150.0000T3
AX3PAF1-155.5200
AX3PAF1-155.5200T
AX3PAF1-155.5200T3
AX3PAF1-156.2500
AX3PAF1-156.2500T
AX3PAF1-156.2500T3
AX3PAF1-200.0000
AX3PAF1-200.0000T
AX3PAF1-200.0000T3
AX3PAF2-100.0000
AX3PAF2-100.0000T
AX3PAF2-100.0000T3
AX3PAF2-114.0000
AX3PAF2-114.0000T
AX3PAF2-114.0000T3
AX3PAF2-114.2850
AX3PAF2-114.2850T
AX3PAF2-114.2850T3
AX3PAF2-120.0000
AX3PAF2-120.0000T
AX3PAF2-120.0000T3
AX3PAF2-122.8800
AX3PAF2-122.8800T
AX3PAF2-122.8800T3
AX3PAF2-125.0000
AX3PAF2-125.0000T
AX3PAF2-125.0000T3
AX3PAF2-135.0000
AX3PAF2-135.0000T
AX3PAF2-135.0000T3
AX3PAF2-148.5000
AX3PAF2-148.5000T
AX3PAF2-148.5000T3
AX3PAF2-150.0000
AX3PAF2-150.0000T
AX3PAF2-150.0000T3
AX3PAF2-155.5200
AX3PAF2-155.5200T
AX3PAF2-155.5200T3
AX3PAF2-156.2500
AX3PAF2-156.2500T
AX3PAF2-156.2500T3
AX3PAF2-200.0000
AX3PAF2-200.0000T
AX3PAF2-200.0000T3
AX3PAF3-100.0000
AX3PAF3-100.0000T
AX3PAF3-100.0000T3
AX3PAF3-114.0000
AX3PAF3-114.0000T
AX3PAF3-114.0000T3
AX3PAF3-114.2850
AX3PAF3-114.2850T
AX3PAF3-114.2850T3
AX3PAF3-120.0000
AX3PAF3-120.0000T

AX3PAF3-120.0000T3
AX3PAF3-122.8800
AX3PAF3-122.8800T
AX3PAF3-122.8800T3
AX3PAF3-125.0000
AX3PAF3-125.0000T
AX3PAF3-125.0000T3
AX3PAF3-135.0000
AX3PAF3-135.0000T
AX3PAF3-135.0000T3
AX3PAF3-148.5000
AX3PAF3-148.5000T
AX3PAF3-148.5000T3
AX3PAF3-150.0000
AX3PAF3-150.0000T
AX3PAF3-150.0000T3
AX3PAF3-155.5200
AX3PAF3-155.5200T
AX3PAF3-155.5200T3
AX3PAF3-156.2500
AX3PAF3-156.2500T
AX3PAF3-156.2500T3
AX3PAF3-200.0000
AX3PAF3-200.0000T
AX3PAF3-200.0000T3
AX3PAF4-100.0000
AX3PAF4-100.0000T
AX3PAF4-100.0000T3
AX3PAF4-114.0000
AX3PAF4-114.0000T
AX3PAF4-114.0000T3
AX3PAF4-114.2850
AX3PAF4-114.2850T
AX3PAF4-114.2850T3
AX3PAF4-120.0000
AX3PAF4-120.0000T
AX3PAF4-120.0000T3
AX3PAF4-122.8800
AX3PAF4-122.8800T
AX3PAF4-122.8800T3
AX3PAF4-125.0000
AX3PAF4-125.0000T
AX3PAF4-125.0000T3
AX3PAF4-135.0000
AX3PAF4-135.0000T
AX3PAF4-135.0000T3
AX3PAF4-148.5000
AX3PAF4-148.5000T
AX3PAF4-148.5000T3
AX3PAF4-150.0000
AX3PAF4-150.0000T
AX3PAF4-150.0000T3
AX3PAF4-155.5200
AX3PAF4-155.5200T
AX3PAF4-155.5200T3
AX3PAF4-156.2500
AX3PAF4-156.2500T
AX3PAF4-156.2500T3
AX3PAF4-200.0000
AX3PAF4-200.0000T

AX3PAF4-200.0000T3
AX3PBF1-100.0000
AX3PBF1-100.0000T
AX3PBF1-100.0000T3
AX3PBF1-114.0000
AX3PBF1-114.0000T
AX3PBF1-114.0000T3
AX3PBF1-114.2850
AX3PBF1-114.2850T
AX3PBF1-114.2850T3
AX3PBF1-120.0000
AX3PBF1-120.0000T
AX3PBF1-120.0000T3
AX3PBF1-122.8800
AX3PBF1-122.8800T
AX3PBF1-122.8800T3
AX3PBF1-125.0000
AX3PBF1-125.0000T
AX3PBF1-125.0000T3
AX3PBF1-135.0000
AX3PBF1-135.0000T
AX3PBF1-135.0000T3
AX3PBF1-148.5000
AX3PBF1-148.5000T
AX3PBF1-148.5000T3
AX3PBF1-150.0000
AX3PBF1-150.0000T
AX3PBF1-150.0000T3
AX3PBF1-155.5200
AX3PBF1-155.5200T
AX3PBF1-155.5200T3
AX3PBF1-156.2500
AX3PBF1-156.2500T
AX3PBF1-156.2500T3
AX3PBF1-156.250MHZ
AX3PBF1-200.0000
AX3PBF1-200.0000T
AX3PBF1-200.0000T3
AX3PBF2-100.0000
AX3PBF2-100.0000T
AX3PBF2-100.0000T3
AX3PBF2-114.0000
AX3PBF2-114.0000T
AX3PBF2-114.0000T3
AX3PBF2-114.2850
AX3PBF2-114.2850T
AX3PBF2-114.2850T3
AX3PBF2-120.0000
AX3PBF2-120.0000T
AX3PBF2-120.0000T3
AX3PBF2-122.8800
AX3PBF2-122.8800T
AX3PBF2-122.8800T3
AX3PBF2-125.0000
AX3PBF2-125.0000T
AX3PBF2-125.0000T3
AX3PBF2-135.0000
AX3PBF2-135.0000T
AX3PBF2-135.0000T3
AX3PBF2-148.5000

AX3PBF2-148.5000T
AX3PBF2-148.5000T3
AX3PBF2-150.0000
AX3PBF2-150.0000T
AX3PBF2-150.0000T3
AX3PBF2-155.5200
AX3PBF2-155.5200T
AX3PBF2-155.5200T3
AX3PBF2-156.2500
AX3PBF2-156.2500T
AX3PBF2-156.2500T3
AX3PBF2-200.0000
AX3PBF2-200.0000T
AX3PBF2-200.0000T3
AX3PBF3-100.0000
AX3PBF3-100.0000T
AX3PBF3-100.0000T3
AX3PBF3-114.0000
AX3PBF3-114.0000T
AX3PBF3-114.0000T3
AX3PBF3-114.2850
AX3PBF3-114.2850T
AX3PBF3-114.2850T3
AX3PBF3-120.0000
AX3PBF3-120.0000T
AX3PBF3-120.0000T3
AX3PBF3-122.8800
AX3PBF3-122.8800T
AX3PBF3-122.8800T3
AX3PBF3-125.0000
AX3PBF3-125.0000T
AX3PBF3-125.0000T3
AX3PBF3-135.0000
AX3PBF3-135.0000T
AX3PBF3-135.0000T3
AX3PBF3-148.5000
AX3PBF3-148.5000T
AX3PBF3-148.5000T3
AX3PBF3-150.0000
AX3PBF3-150.0000T
AX3PBF3-150.0000T3
AX3PBF3-155.5200
AX3PBF3-155.5200T
AX3PBF3-155.5200T3
AX3PBF3-156.2500
AX3PBF3-156.2500T
AX3PBF3-156.2500T3
AX3PBF3-200.0000
AX3PBF3-200.0000T
AX3PBF3-200.0000T3
AX3PBF4-100.0000
AX3PBF4-100.0000T
AX3PBF4-100.0000T3
AX3PBF4-114.0000
AX3PBF4-114.0000T
AX3PBF4-114.0000T3
AX3PBF4-114.2850
AX3PBF4-114.2850T
AX3PBF4-114.2850T3
AX3PBF4-120.0000

AX3PBF4-120.0000T
AX3PBF4-120.0000T3
AX3PBF4-122.8800
AX3PBF4-122.8800T
AX3PBF4-122.8800T3
AX3PBF4-125.0000
AX3PBF4-125.0000T
AX3PBF4-125.0000T3
AX3PBF4-135.0000
AX3PBF4-135.0000T
AX3PBF4-135.0000T3
AX3PBF4-148.5000
AX3PBF4-148.5000T
AX3PBF4-148.5000T3
AX3PBF4-150.0000
AX3PBF4-150.0000T
AX3PBF4-150.0000T3
AX3PBF4-155.5200
AX3PBF4-155.5200T
AX3PBF4-155.5200T3
AX3PBF4-156.2500
AX3PBF4-156.2500T
AX3PBF4-156.2500T3
AX3PBF4-200.0000
AX3PBF4-200.0000T
AX3PBF4-200.0000T3