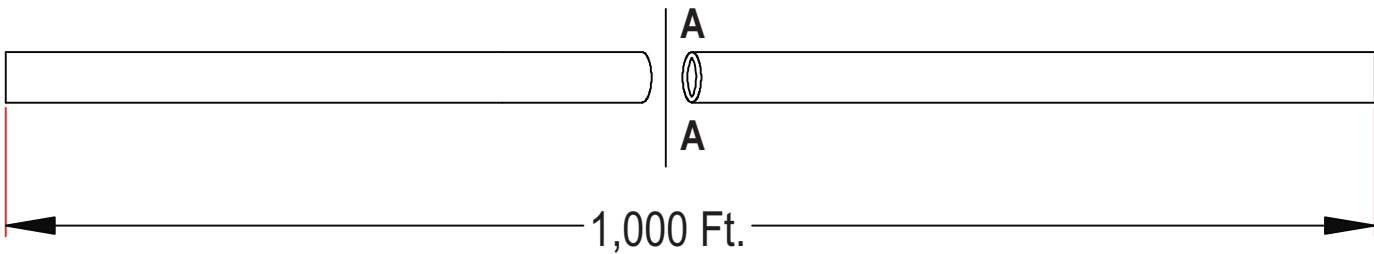


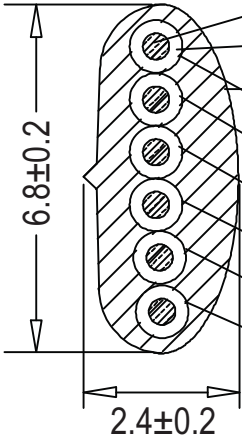
A



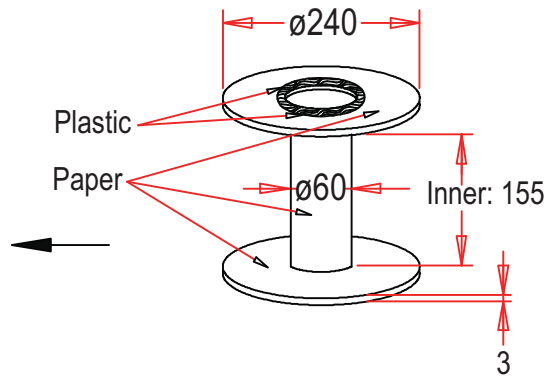
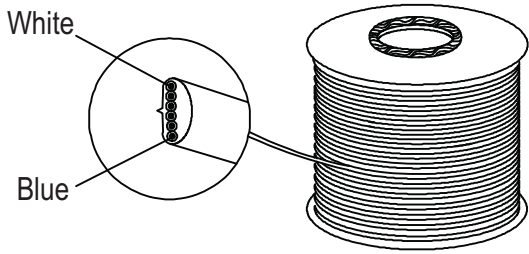
B

C

- Conductor: [26AWG (0.16x7) Bare Copper]x6C
- Insulation: (PP6331 ID: 0.95±0.05)x6C
- Jacket: PVC NOUL 65P
- White
- Black
- Red
- Green
- Yellow
- Blue



**Sec: A - A**



D

E

## 1,000Ft/R. "PE" Foam Wrapped

F

Unit: MM



|           |       |              |  |          |          |          |
|-----------|-------|--------------|--|----------|----------|----------|
| Scale     | 1:1   |              |  |          |          | Name     |
| TOLERANCE |       |              |  | Drawn    | 11.18.11 | Chappell |
| X.X       | ±0.40 |              |  | Approved |          |          |
| X.XX      | ±0.25 |              |  |          |          |          |
| X.XXX     | ±0.15 |              |  |          |          |          |
| Angle     | ±3°   |              |  |          |          |          |
|           |       | Modification |  | Date     | Name     |          |

Item No.  
**AT-K-26-6-B/1000-R**

Title Modular Straight cable - Raw,  
6 Contact, 26AWG, Black, 1000Ft

Drawing No. rev00  
Replace Sheet



H