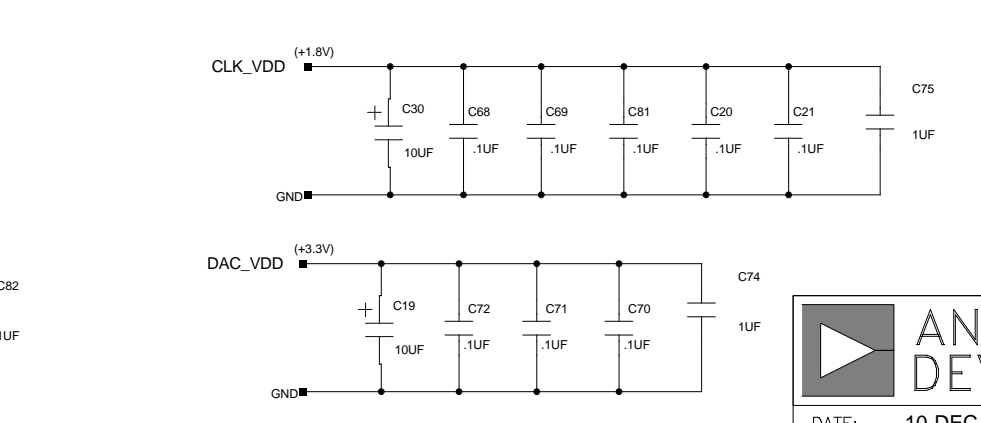
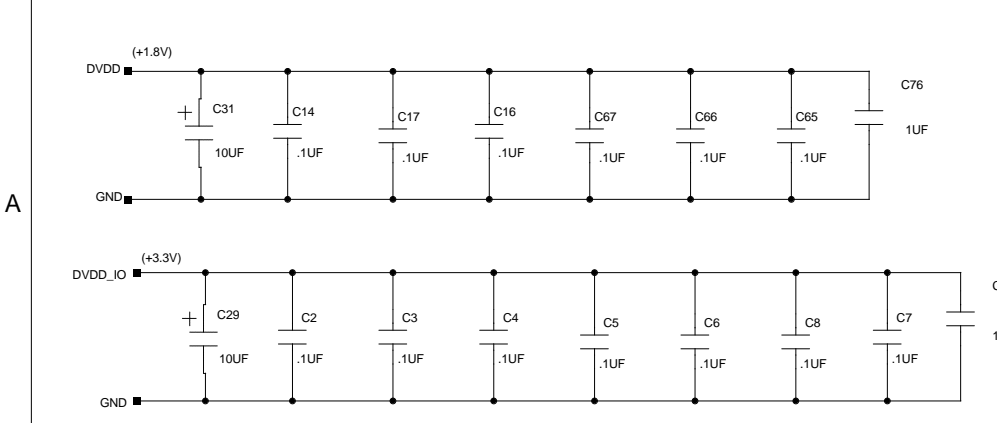
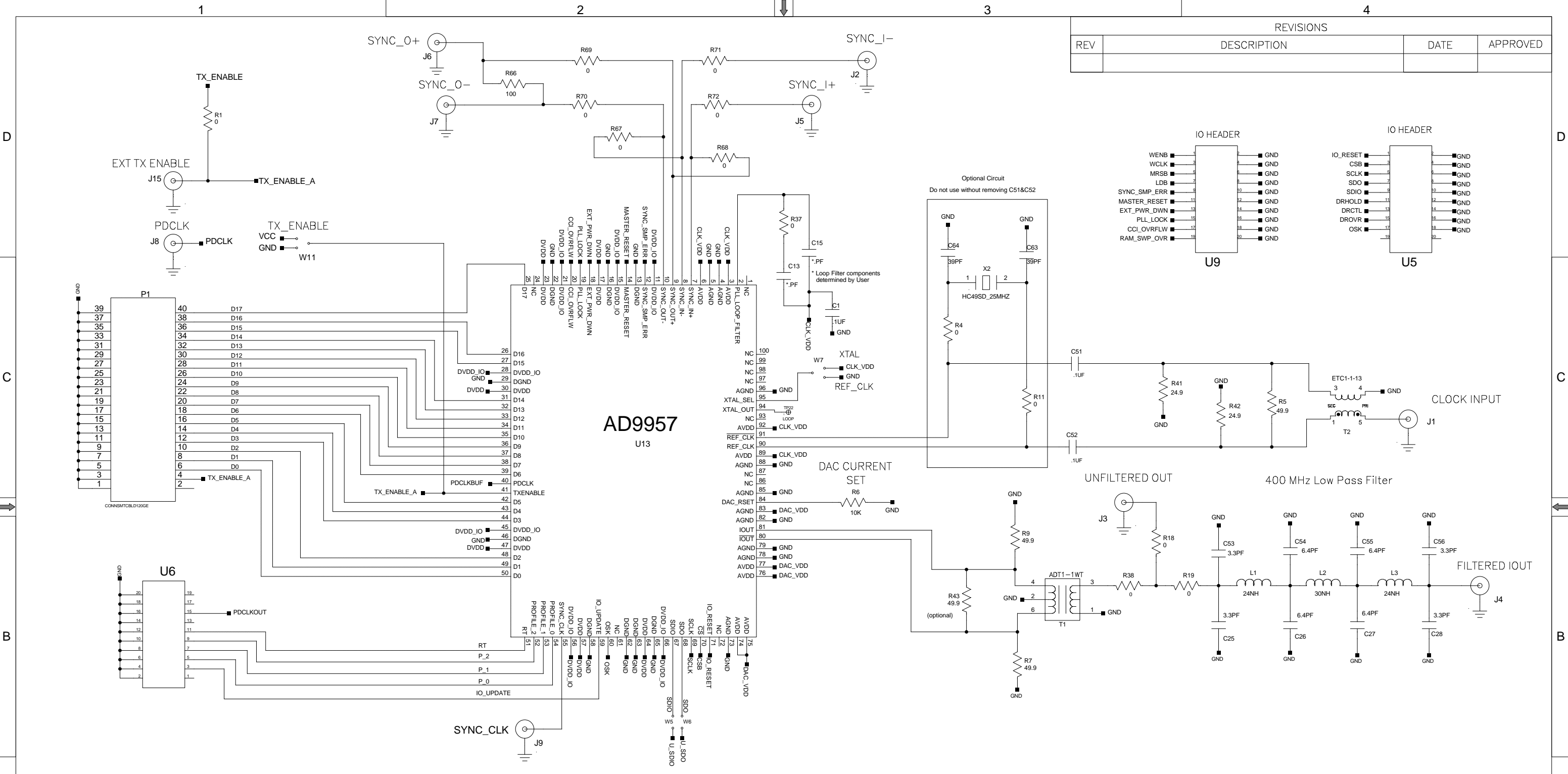


REVISIONS			
REV	DESCRIPTION	DATE	APPROVED

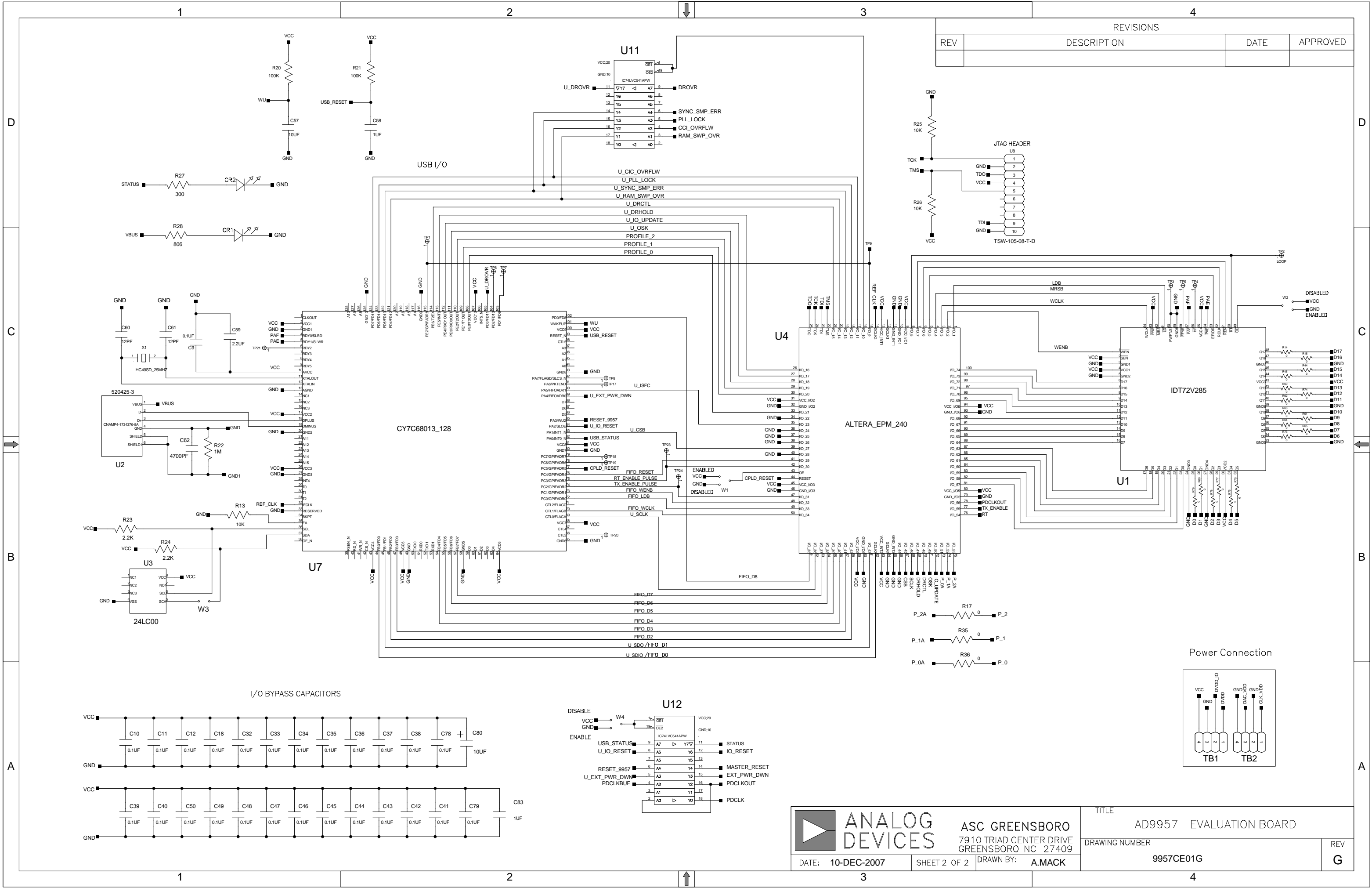


**ANALOG DEVICES**

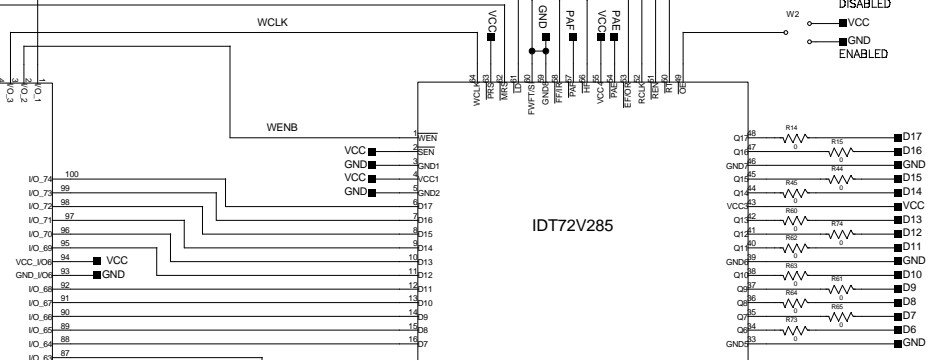
ASC GREENSBORO  
7910 TRIAD CENTER DRIVE  
GREENSBORO NC 27409

**AD9957 EVALUATION BOARD**

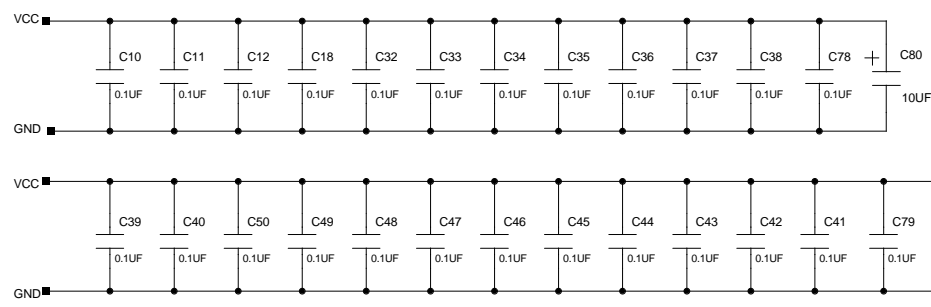
DATE: 10-DEC-2007	SHEET 1 OF 2	DRAWN BY: A.MACK	TITLE: AD9957 EVALUATION BOARD
DRAWING NUMBER: 9957CE01G			REV: G



REVISIONS			
REV	DESCRIPTION	DATE	APPROVED



I/O BYPASS CAPACITORS



**ANALOG DEVICES**

ASC GREENSBORO  
7910 TRIAD CENTER DRIVE  
GREENSBORO NC 27409

DATE: 10-DEC-2007    SHEET 2 OF 2    DRAWN BY: A.MACK

TITLE	AD9957 EVALUATION BOARD
DRAWING NUMBER	9957CE01G
REV	G