

LAYOUT SHOWN AS EXAMPLE

Keying Shown as example

**CHARACTERISTICS**

- Standard : Based on MIL-DTL-38999 Series III
- Shell Material : Composite
- Shell Plating : Nickel
- Insulator : Thermoplastic
- Contacts : Copper Alloy
- Seals & Grommet : Silicon Elastomer
- Contact Plating : Gold over copper Alloy 0.8µm minimum
- Durability : 500 Mating cycles
- Delivered with Souriau contacts and Accessories
- Temperature Range : -65°C to +200°C
- Salt Spray : 2000 hours
- Mass : 36.3 g ± 10%

| Connector dimension |             |
|---------------------|-------------|
| Dim                 | Nominal     |
| P                   | 3.91±0.2    |
| PP                  | 6.15±0.2    |
| R1                  | 34.93       |
| R2                  | 31.75       |
| S                   | 42.9±0.3    |
| V'                  | 18.7+1.4/-0 |
| W'                  | 2.1/4.35    |
| Z'                  | 32 Max      |
| VV THREAD           | M34x1-6g    |

SOURIAU shall not be liable for any non-conformity or damage due to a use of the Products which does not comply with the Specifications issued by either of the Parties or by a third party (professional recommendation, technical notice.)

| Country | Jurisdiction & Control List |
|---------|-----------------------------|
| FR      | Not Listed                  |

**PN: 8D023M35AN**

|              |   |                                |   |
|--------------|---|--------------------------------|---|
| A            | 23-09-2016  | First Release                  |   |
| ISS          | DATE  | Latest modification - by       | MOD N°  |
| Designed By: |   | Date:                          | <b>CUSTOMER DRAWING</b>   |
| <b>TITLE</b> | <b>Composite Receptacle 8D series</b>                               |                                |   |
| SCALE        |   | General linear Tolerances: ±-- | NPRDS / PROJECT<br><b>859</b>   |
| NA           | <b>SOURIAU</b> <a href="http://WWW.SOURIAU.COM">WWW.SOURIAU.COM</a> |                                | This document is the property of SOURIAU it must not be reproduced or communicated without permission |
| FORMAT       | <b>A3</b>   |                                | <b>SOURIAU DRG N° 8D023M35AN-C</b> SHEET 1/2  |

|                |                          |   |   |    |   |    |   |   |                                 |
|----------------|--------------------------|---|---|----|---|----|---|---|---------------------------------|
| BASIC SERIES:  | 8D                       | 0 | - | 23 | M | 35 | A | N | ORIENTATION : N                 |
| SHELL TYPE :   | Square Flange Receptacle |   |   |    |   |    |   |   | CONTACT TYPE : PIN(500 Matings) |
| CONTACT TYPE : | Standard Crimp Contact   |   |   |    |   |    |   |   | CONTACT LAYOUT : 23-35          |
| SHELL SIZE :   | 23                       |   |   |    |   |    |   |   |                                 |
| PLATING :      | M = Nickel               |   |   |    |   |    |   |   |                                 |

Contact Layout



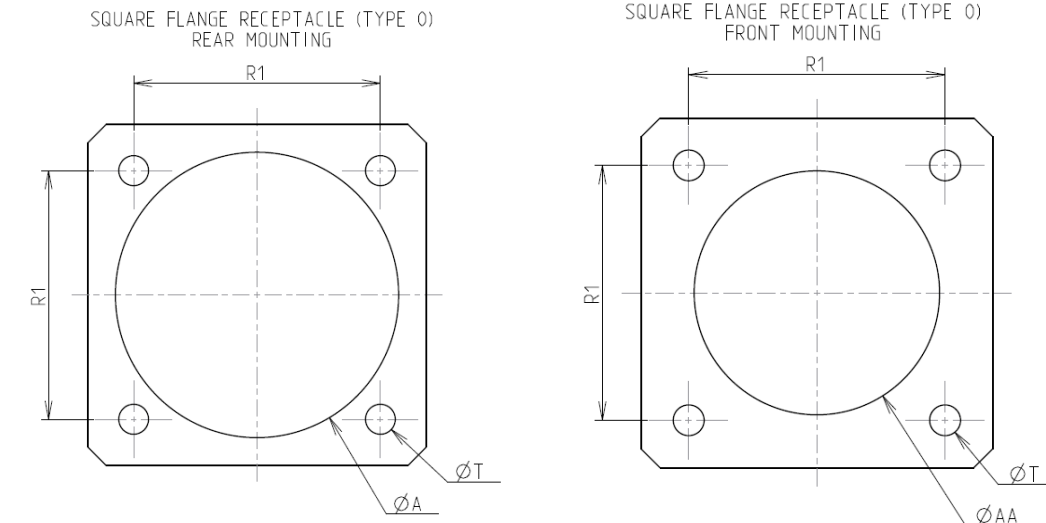
| Contacts<br>(Insert arrangement 23-35) |              |             |                     |             |              |
|--|--------------|-------------|---------------------|-------------|--------------|
| Contact position ID                    | Location     |             | Contact position ID | Location    |              |
|  | X-axis (mm)  | Y-axis (mm) |                     | X-axis (mm) | Y-axis (mm)  |
| 1                                      | -428 (10.87) | +241 (6.12) | 51                  | +000 (0.00) | -047 (1.19)  |
| 2                                      | -467 (11.86) | +154 (3.91) | 52                  | +000 (0.00) | -142 (3.61)  |
| 3                                      | -488 (12.40) | +061 (1.55) | 53                  | +000 (0.00) | -237 (6.02)  |
| 4                                      | -415 (10.54) | +000 (0.00) | 54                  | +000 (0.00) | -332 (8.43)  |
| 5                                      | -488 (12.40) | -061 (1.55) | 55                  | +000 (0.00) | -427 (10.85) |
| 6                                      | -428 (10.87) | -142 (3.61) | 56                  | +083 (2.11) | +475 (12.07) |
| 7                                      | -428 (10.87) | -237 (6.02) | 57                  | +083 (2.11) | +380 (9.65)  |
| 8                                      | -332 (8.43)  | +333 (8.46) | 58                  | +083 (2.11) | +285 (7.24)  |
| 9                                      | -332 (8.43)  | +238 (6.05) | 59                  | +083 (2.11) | +190 (4.83)  |
| 10                                     | -332 (8.43)  | +143 (3.63) | 60                  | +083 (2.11) | +095 (2.41)  |
| 11                                     | -332 (8.43)  | +048 (1.22) | 61                  | +083 (2.11) | +000 (0.00)  |
| 12                                     | -332 (8.43)  | -047 (1.19) | 62                  | +083 (2.11) | -095 (2.41)  |
| 13                                     | -332 (8.43)  | -142 (3.61) | 63                  | +083 (2.11) | -190 (4.83)  |
| 14                                     | -332 (8.43)  | -237 (6.02) | 64                  | +083 (2.11) | -285 (7.24)  |
| 15                                     | -332 (8.43)  | -332 (8.43) | 65                  | +083 (2.11) | -380 (9.65)  |
| 16                                     | -249 (6.32)  | +380 (9.65) | 66                  | +083 (2.11) | -475 (12.07) |
| 17                                     | -249 (6.32)  | +285 (7.24) | 67                  | +166 (4.22) | +428 (10.87) |
| 18                                     | -249 (6.32)  | +190 (4.83) | 68                  | +166 (4.22) | +333 (8.46)  |

| Contacts<br>(Insert arrangement 23-35) |             |              |                     |              |              |
|--|-------------|--------------|---------------------|--------------|--------------|
| Contact position ID                    | Location    |              | Contact position ID | Location     |              |
|  | X-axis (mm) | Y-axis (mm)  |                     | X-axis (mm)  | Y-axis (mm)  |
| 19                                     | -249 (6.32) | +095 (2.41)  | 69                  | +166 (4.22)  | +238 (6.05)  |
| 20                                     | -249 (6.32) | +000 (0.00)  | 70                  | +166 (4.22)  | +143 (3.63)  |
| 21                                     | -249 (6.32) | -095 (2.41)  | 71                  | +166 (4.22)  | +048 (1.22)  |
| 22                                     | -249 (6.32) | -190 (4.83)  | 72                  | +166 (4.22)  | -047 (1.19)  |
| 23                                     | -249 (6.32) | -285 (7.24)  | 73                  | +166 (4.22)  | -142 (3.61)  |
| 24                                     | -249 (6.32) | -380 (9.65)  | 74                  | +166 (4.22)  | -237 (6.02)  |
| 25                                     | -166 (4.22) | +428 (10.87) | 75                  | +166 (4.22)  | -332 (8.43)  |
| 26                                     | -166 (4.22) | +333 (8.46)  | 76                  | +166 (4.22)  | -427 (10.85) |
| 27                                     | -166 (4.22) | +238 (6.05)  | 77                  | +249 (6.32)  | +380 (9.65)  |
| 28                                     | -166 (4.22) | +143 (3.63)  | 78                  | +249 (6.32)  | +285 (7.24)  |
| 29                                     | -166 (4.22) | +048 (1.22)  | 79                  | +249 (6.32)  | +190 (4.83)  |
| 30                                     | -166 (4.22) | -047 (1.19)  | 80                  | +249 (6.32)  | +095 (2.41)  |
| 31                                     | -166 (4.22) | -142 (3.61)  | 81                  | +249 (6.32)  | +000 (0.00)  |
| 32                                     | -166 (4.22) | -237 (6.02)  | 82                  | +249 (6.32)  | -095 (2.41)  |
| 33                                     | -166 (4.22) | -332 (8.43)  | 83                  | +249 (6.32)  | -190 (4.83)  |
| 34                                     | -166 (4.22) | -427 (10.85) | 84                  | +249 (6.32)  | -285 (7.24)  |
| 35                                     | -083 (2.11) | +475 (12.07) | 85                  | +249 (6.32)  | -380 (9.65)  |
| 36                                     | -083 (2.11) | +380 (9.65)  | 86                  | +332 (8.43)  | +333 (8.46)  |
| 37                                     | -083 (2.11) | +285 (7.24)  | 87                  | +332 (8.43)  | +238 (6.05)  |
| 38                                     | -083 (2.11) | +190 (4.83)  | 88                  | +332 (8.43)  | +143 (3.63)  |
| 39                                     | -083 (2.11) | +095 (2.41)  | 89                  | +332 (8.43)  | +048 (1.22)  |
| 40                                     | -083 (2.11) | +000 (0.00)  | 90                  | +332 (8.43)  | -047 (1.19)  |
| 41                                     | -083 (2.11) | -095 (2.41)  | 91                  | +332 (8.43)  | -142 (3.61)  |
| 42                                     | -083 (2.11) | -190 (4.83)  | 92                  | +332 (8.43)  | -237 (6.02)  |
| 43                                     | -083 (2.11) | -285 (7.24)  | 93                  | +332 (8.43)  | -332 (8.43)  |
| 44                                     | -083 (2.11) | -380 (9.65)  | 94                  | +428 (10.87) | +241 (6.12)  |
| 45                                     | -083 (2.11) | -475 (12.07) | 95                  | +467 (11.86) | +154 (3.91)  |
| 46                                     | +000 (0.00) | +428 (10.87) | 96                  | +488 (12.40) | +061 (1.55)  |

| Contacts<br>(Insert arrangement 23-35) |             |             |                     |              |             |
|--|-------------|-------------|---------------------|--------------|-------------|
| Contact position ID                    | Location    |             | Contact position ID | Location     |             |
|  | X-axis (mm) | Y-axis (mm) |                     | X-axis (mm)  | Y-axis (mm) |
| 47                                     | +000 (0.00) | +333 (8.46) | 97                  | +415 (10.54) | +000 (0.00) |
| 48                                     | +000 (0.00) | +238 (6.05) | 98                  | +488 (12.40) | -061 (1.55) |
| 49                                     | +000 (0.00) | +143 (3.63) | 99                  | +428 (10.87) | -142 (3.61) |
| 50                                     | +000 (0.00) | +048 (1.22) | 100                 | +428 (10.87) | -237 (6.02) |

| (Applicable to MIL-DTL-38999 only) |                 |                    |               |                |                  |            |
|------------------------------------|-----------------|--------------------|---------------|----------------|------------------|------------|
| Shell size                         | Arrangement no. | Number of contacts | Size contacts | Service rating | Contact location | Supersedes |
| 23                                 | -35             | 100                | 220           | M              | All              | MS27532-35 |

Panel Cutout



| Dim | Nominal    |
|-----|------------|
| ØA  | 39.29 min  |
| ØAA | 34.93 min  |
| R1  | 34.93      |
| ØT  | 3.91 ±0.13 |

SOURIAU shall not be liable for any non-conformity or damage due to a use of the Products which does not comply with the Specifications issued by either of the Parties or by a third party (professional recommendation, technical notice.)

| Country | Jurisdiction & Control List |
|---------|-----------------------------|
| FR      | Not Listed                  |

PN: 8D023M35AN

|              |            |                                |                     |
|--------------|------------|--------------------------------|---------------------|
| A            | 23-09-2016 | First Release                  |                     |
| ISS          | DATE       | Latest modification - by       | MOD N°              |
| Designed By: |            | Date:                          | CUSTOMER DRAWING    |
| TITLE        |            | Composite Receptacle 8D series |                     |
| SCALE        | NA         | General linear Tolerances: ±-- | NPRDS / PROJECT 859 |
| SOURIAU      |            | WWW.SOURIAU.COM                |                     |
| FORMAT       |            | SOURIAU DRG N° 8D023M35AN-C    |                     |
| A3           |            | SHEET 2/2                      |                     |

This document is the property of SOURIAU it must not be reproduced or communicated without permission