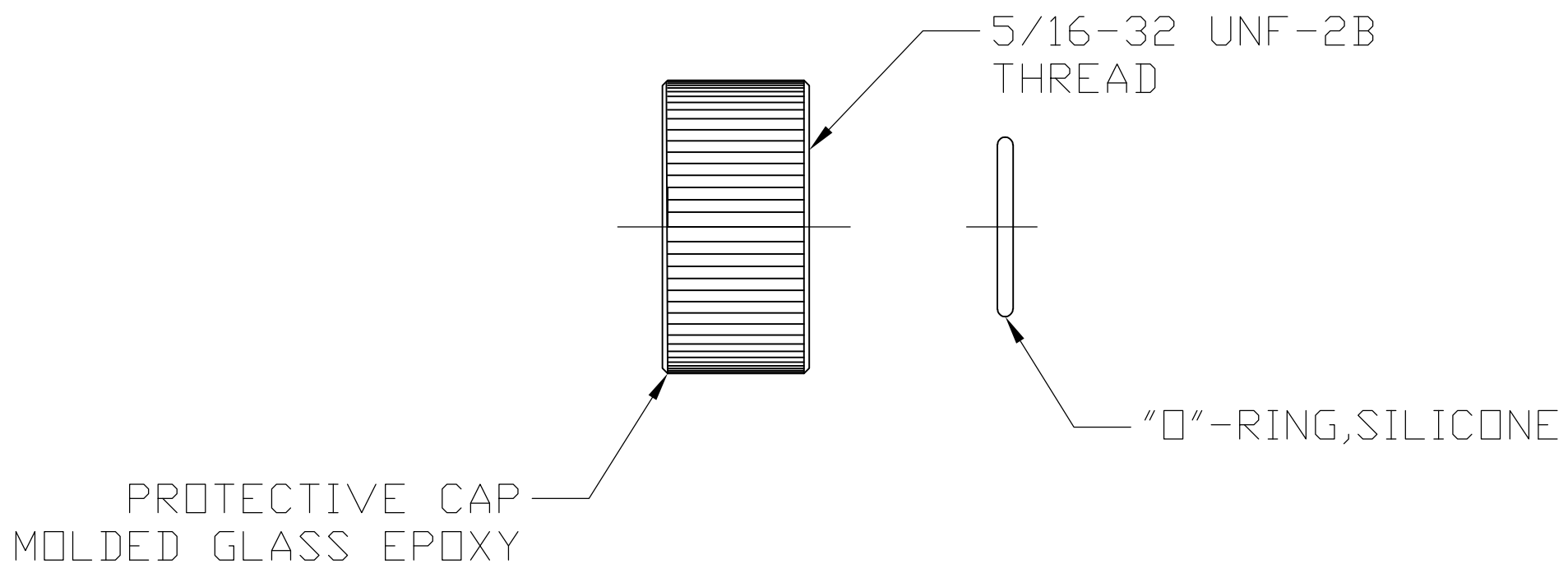


THIS DRAWING IS UNPUBLISHED. RELEASED FOR PUBLICATION - , - .
 © COPYRIGHT - By - ALL RIGHTS RESERVED.

LOC		DIST		REVISIONS			
P	LTR	DESCRIPTION		DATE	DWN	APVD	
	B	REV PER ECO 13-011485		7-25-13	CT	DE	



849055-1
PART NUMBER

THIS DRAWING IS A CONTROLLED DOCUMENT.		DWN	C.C.THOMAS	7-25-13	STE TE Connectivity		
DIMENSIONS: INCHES		CHK	D.EABY	7-25-13			
TOLERANCES UNLESS OTHERWISE SPECIFIED:		APVD	D.EABY	7-25-13	NAME KIT,LGH-1/2 & 1/2L		
0 PLC ± -		PRODUCT SPEC		-		-	
1 PLC ± -		APPLICATION SPEC		-		-	
2 PLC ± -		SIZE	A3	CAGE CODE	00779	DRAWING NO	C-849055
3 PLC ± -		WEIGHT		-		RESTRICTED TO	
4 PLC ± -		CUSTOMER DRAWING		SCALE		4:1	
ANGLES ± -		FINISH		-		SHEET	
MATERIAL		-		-		1 OF 1	
-		-		-		REV	
-		-		-		B	