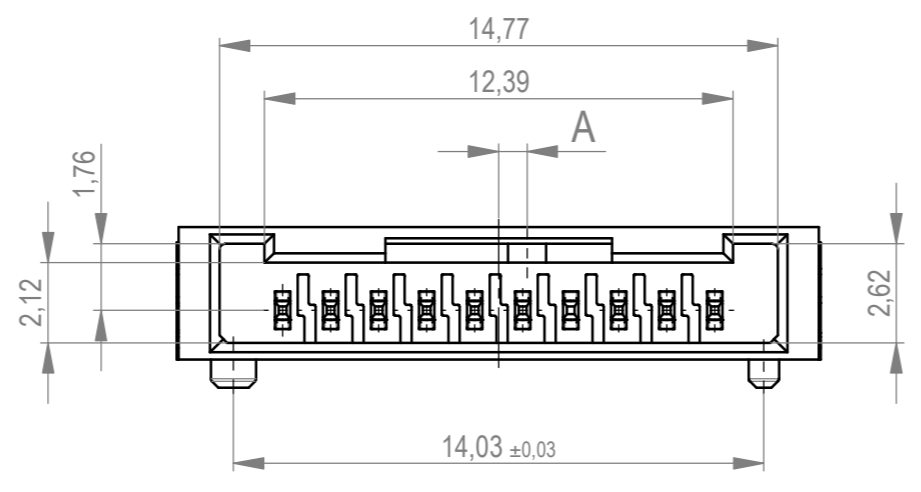
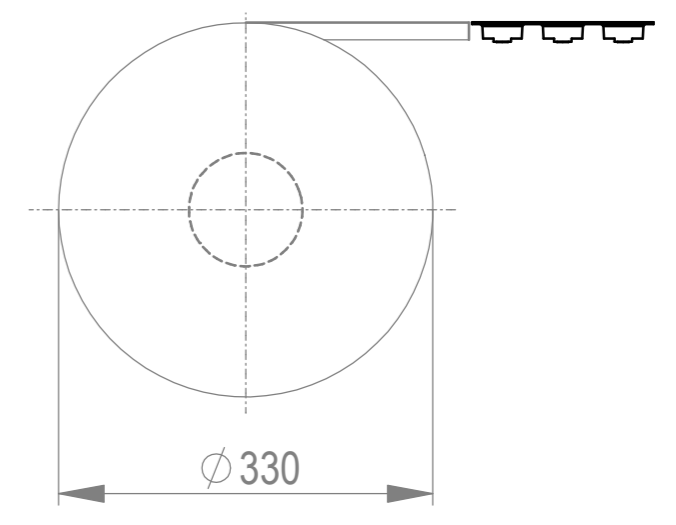
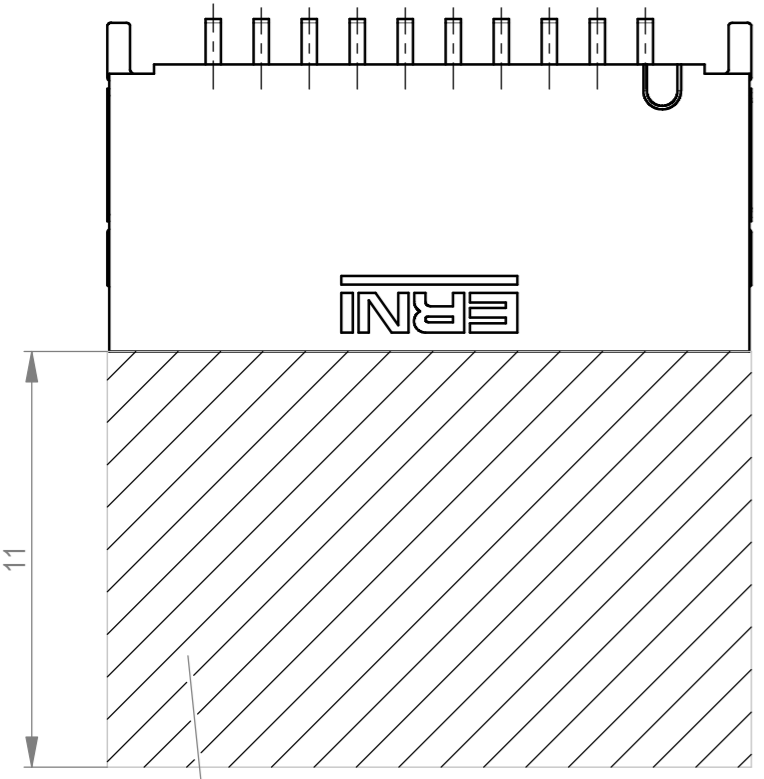
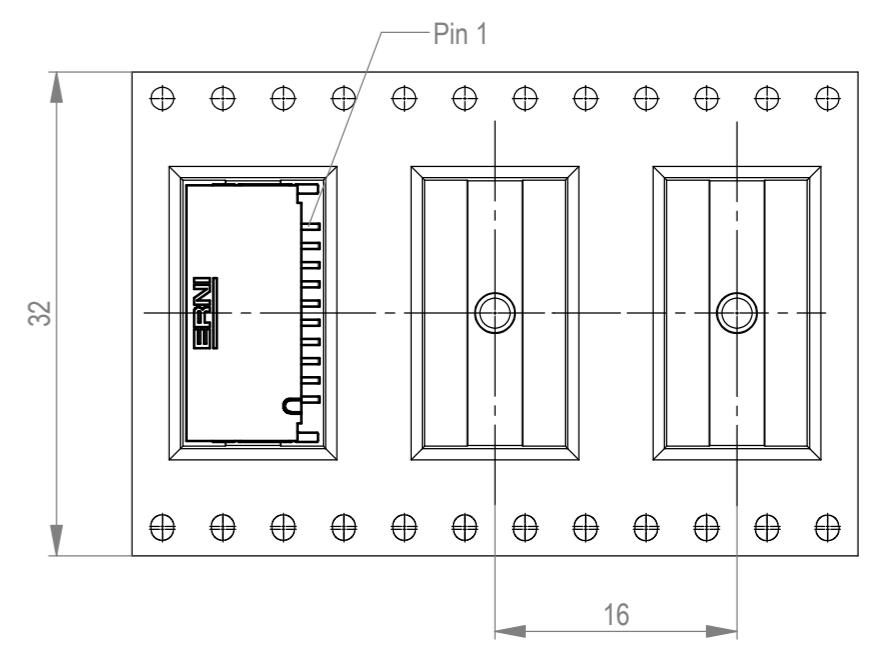
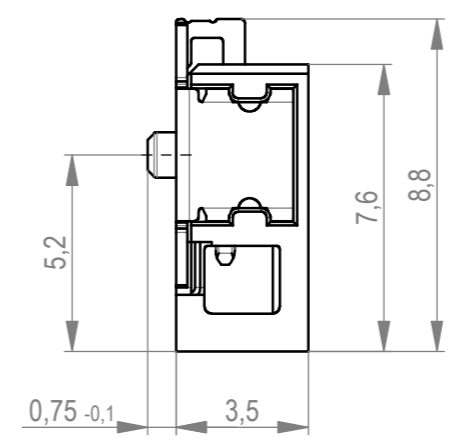
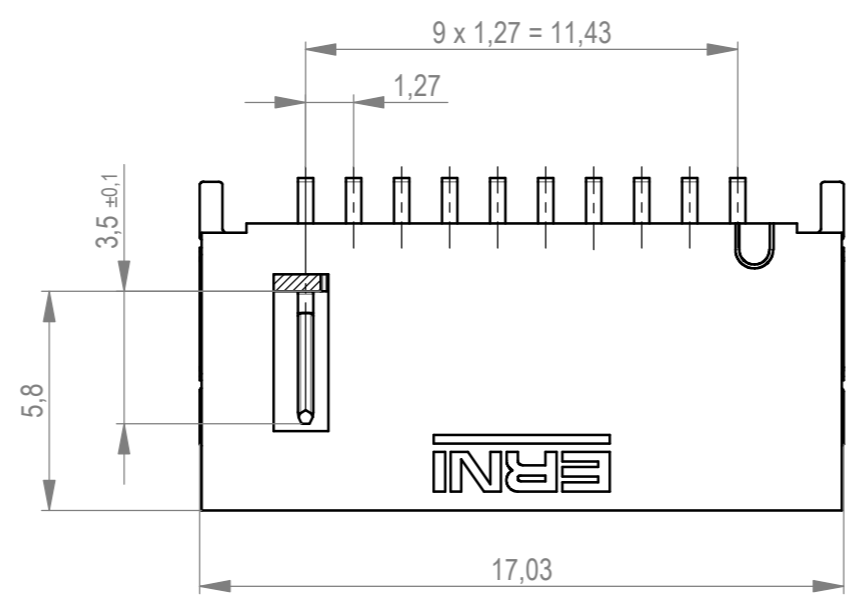


Verpackt im Gurt in Anlehnung an DIN IEC 60286-3
 tape on reel packaging according to DIN IEC 60286-3
 Verpackungseinheit: 900 Stück
 packaging unit: 900 pcs

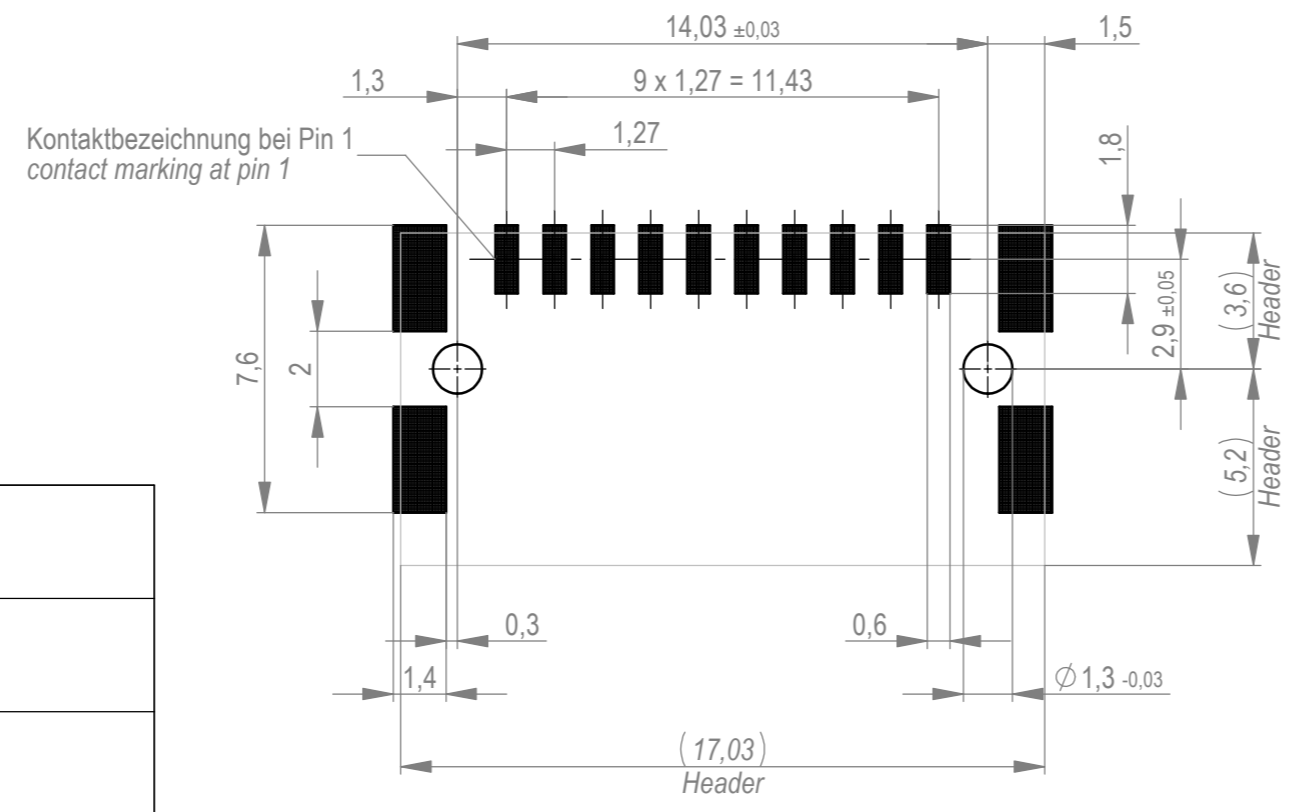


Abspulrichtung - reel off direction →



Sperfläche für Leiterbahnen gültig bei Verwendung von Gegenstecker Federleiste 90° in IDC Ausführung
 Restricted area for conductors valid for use by mating female connector 90° in IDC version

Layoutvorschlag
 recommended layout



Anforderungsstufe 1
 performance level 1
 Kontaktbereich vergoldet
 mating area gold plating
 Anschlussbereich verzinkt 4-6 µm
 terminal area 4-6 µm tin plating
 Koplanarität der Anschlüsse ≤ 0,1 mm
 coplanarity area of termination ≤ 0,1 mm

| | | | | |
|-----------------------|---------------------|------------------|------|---------------------|
| 504298 | | rot red | 2,25 | |
| 504297 | | grün green | 2,25 | |
| 504296 | | blau blue | 0,75 | |
| 504295 | | schwarz black | 0,75 | |
| Ident-Nr. part-no. | Codierung coding | Farbe colour | A | Bemerkung remark |

| | | | |
|---|---|--|--|
| Dimension no. | Tolerances ISO 2768-FH ISO 8015 | | Scale 5:1 Material |
| Customer drawing: All rights reserved. Only for information. To ensure that this is the latest version of this drawing, please contact one of the ERNI companies before using. | Subject to modification without prior notice. Drawing will not be updated. | | MicroBridge Male Angeled SMT 10-pin 504294 |
| c Index | 23.09.2020 Date | | ERNI International AG Zürichstrasse 72 8306 Brüttisellen - Zürich Switzerland |
| Class | | | MCBA |

Die deutsche Version dieser Zeichnung dient nur zur Einreichung bei der
 Handlung. Bei Abweichungen vom englischen Original gilt das
 englische Original. In case of any deviation from the original,
 the English version shall prevail.
 The German version of this drawing has been prepared for convenience only
 and may deviate from the original.
 In case of any deviation from the original,
 the English version shall prevail.
 The English version of this drawing has been prepared for convenience only
 and may deviate from the original.
 In case of any deviation from the original,
 the English version shall prevail.