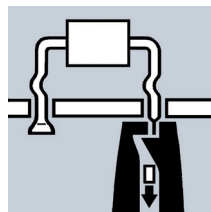
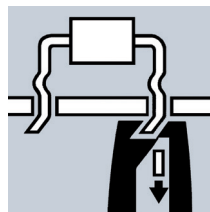
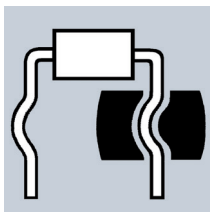
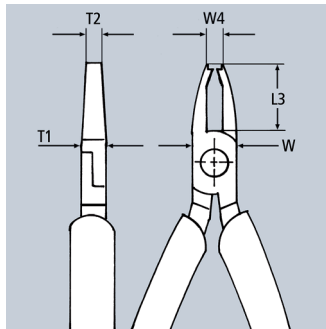
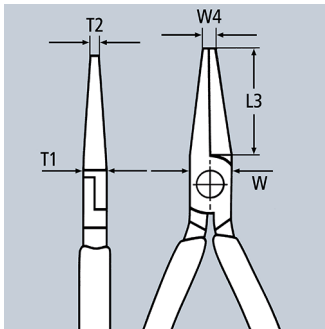
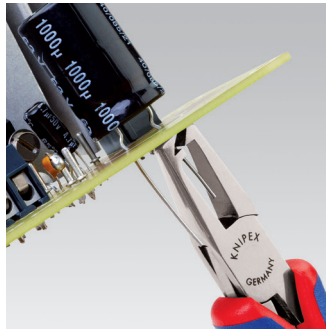
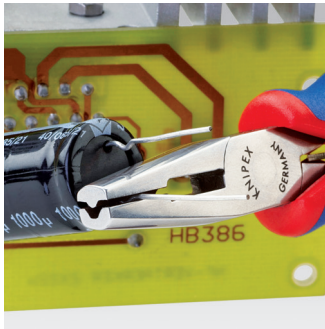


- > precision pliers for very fine assembly and repair work in electronics
- > for bending and cutting off wire ends on components
- > precision box-joint for greater strength
- > smooth gripping surfaces
- > smooth edges
- > low-friction double spring for gentle and even opening
- > the mirror polish, together with a fine film of oil, offer the best possible rust protection - no circuit faults caused by peeling chrome from plated tools
- > special tool steel, forged, oil-hardened



36 12 130
to bend wire in shape for the distance to the board

36 22 125
to bend and cut wire at 1/16" (1.6 mm) length below the board

36 32 125
to crunch and cut wire at 1/16" (1.6 mm) length below the board



36 12 130
✂️



36 22 125
✂️



36 32 125
✂️

Product Number	Packaging	↔ Inch mm		Head	Handles	Cutting capacities		Dimensions					 lbs
						Ø Inch Ø mm	L3 Inch mm	W Inch mm	T1 Inch mm	W4 Inch mm	T2 Inch mm		
36 12 130		5 1/4 130		mirror polished	multi-component grips	-	29/32 23.0	15/32 12.0	3/8 9.5	7/32 5.5	15/64 6.0	0.21	
36 22 125		5 125		mirror polished	multi-component grips	3/64 1.2	23/32 18.25	29/64 11.5	19/64 7.5	19/64 7.5	7/64 2.6	0.21	
36 32 125		5 125		mirror polished	multi-component grips	3/64 1.2	23/32 18.25	29/64 11.5	19/64 7.5	19/64 7.5	5/32 4.0	0.21	