

THIS DRAWING IS UNPUBLISHED.

RELEASED FOR PUBLICATION

REVISIONS

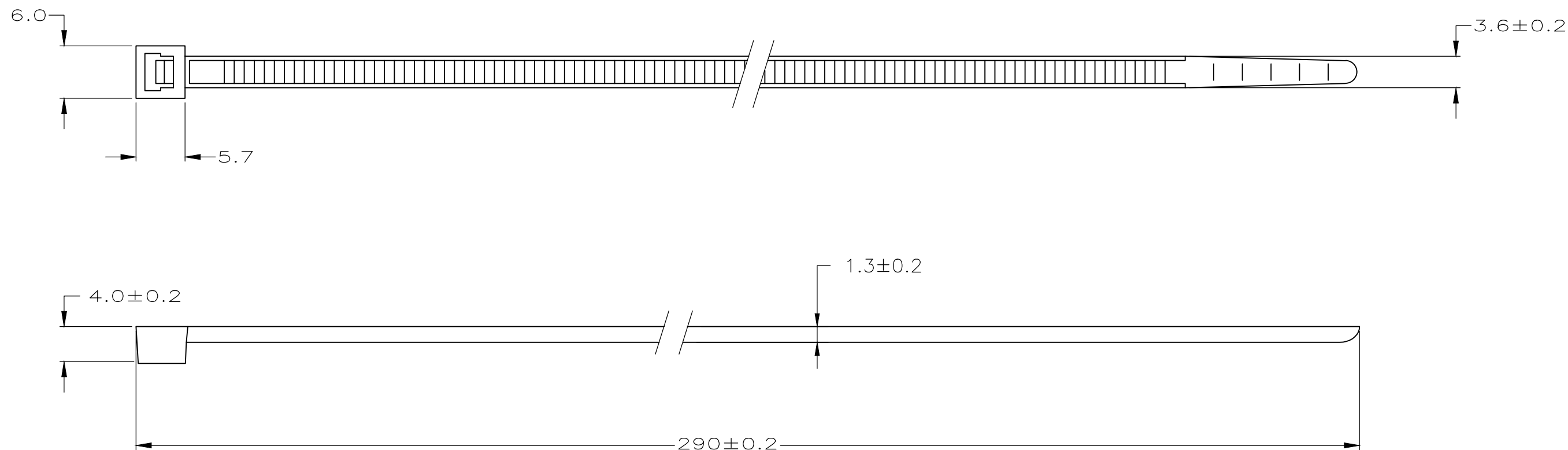
© COPYRIGHT - By -

ALL RIGHTS RESERVED.

P	LTR	DESCRIPTION	DATE	DWN	APVD
	C2	OBSOLESCENCE OF P/N 3-160972-1 & 3-2	22MAR2018	SH	NG

NOTES:

- 1 RANGE: Ø80 MAX.
- 2 MIN. TENSILE STRENGTH 130N.



OBSOLETE	500	BLACK	POLYAMIDE 6.6	<del>3-160972-2</del>
OBSOLETE	500	NATURAL	POLYAMIDE 6.6	<del>3-160972-1</del>
	100	BLACK	POLYAMIDE 6.6	2-160972-2
OBSOLETE	100	NATURAL	POLYAMIDE 6.6	<del>2-160972-1</del>
	QTY	FINISH	MATERIAL	PARTNUMBER

THIS DRAWING IS A CONTROLLED DOCUMENT.		DWN J.V.D.HEIJDEN. 27-02-92	<b>STE</b> TE Connectivity														
DIMENSIONS: mm		CHK R.VOS.				NAME CABLE TY.											
TOLERANCES UNLESS OTHERWISE SPECIFIED:		APVD L.V.SOEST.	PRODUCT SPEC														
<table border="0"> <tr><td>0 PLC</td><td>± -</td></tr> <tr><td>1 PLC</td><td>± 0.4</td></tr> <tr><td>2 PLC</td><td>± -</td></tr> <tr><td>3 PLC</td><td>± -</td></tr> <tr><td>4 PLC</td><td>± -</td></tr> <tr><td>ANGLES</td><td>± -</td></tr> </table>		0 PLC	± -	1 PLC	± 0.4	2 PLC	± -	3 PLC	± -	4 PLC	± -	ANGLES	± -	APPLICATION SPEC	RESTRICTED TO		
0 PLC	± -																
1 PLC	± 0.4																
2 PLC	± -																
3 PLC	± -																
4 PLC	± -																
ANGLES	± -																
MATERIAL SEE TABLE	FINISH SEE TABLE	WEIGHT	SIZE A3	CAGE CODE 00779	DRAWING NO C-160972												
CUSTOMER DRAWING			SCALE NTS	SHEET 1 OF 1	REV C2												