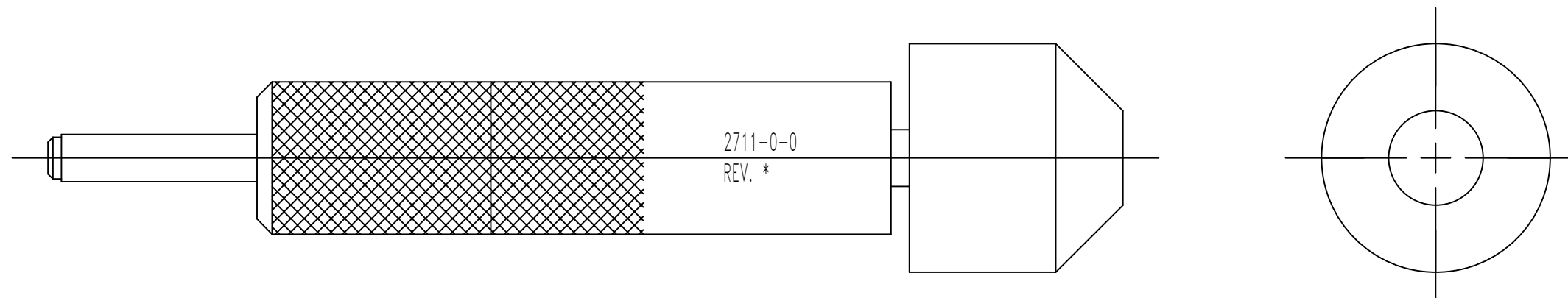


SK14352

THIS DRAWING CONTAINS INFORMATION PROPRIETARY TO POSITRONIC IND. INC. ANY REPRODUCTION, DISCLOSURE OR USE OF THIS DRAWING IS EXPRESSLY PROHIBITED, EXCEPT AS POSITRONIC IND. INC. MAY OTHERWISE AGREE IN WRITING.

DATE	REV	REVISION RECORD	APP	DR	CK
9-05-12	NC	ECO 36854	COLE	BS	COLE



NOTES:
1. DIMENSIONS ARE IN INCHES [MILLIMETERS].

		POSITRONIC INDUSTRIES INC. SPRINGFIELD, MISSOURI 65801	
	INFINITY SERIES CONTACT REMOVAL TOOL	SCALE N.T.S.	DRAWN BY B SHELEDDY
DECIMAL TOL. ± 0.005 [0.13]	TITLE 2711-0-0-0		APPROVED BY COLE
ANGULAR TOL. $\pm 1/2^\circ$	DATE 9-05-12	DRAWING NUMBER SK14352	REV. NC