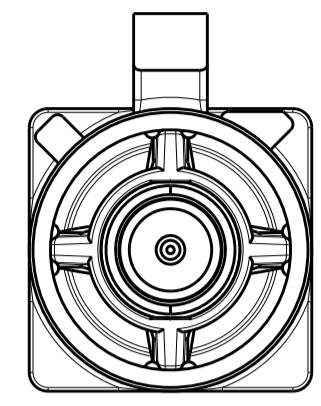
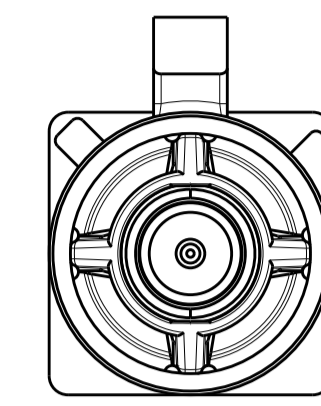




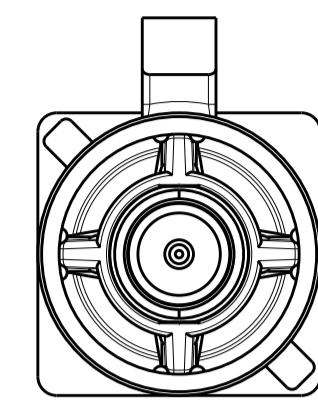
REVISIONS				
P.	LTN	DESCRIPTION	DATE	APVD
-		SEE SHEET 1	-	-



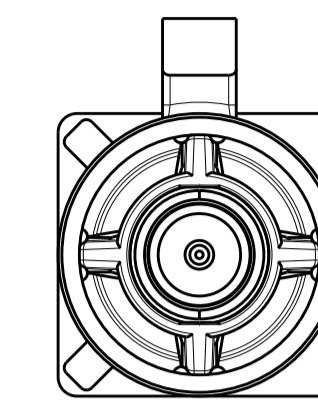
DETAIL A  
SCALE 5:1



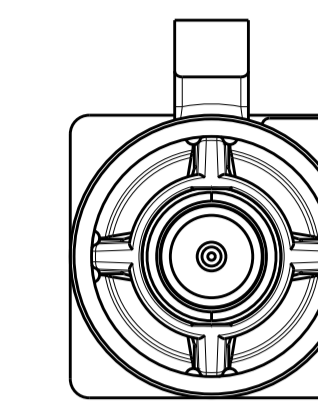
DETAIL B  
SCALE 5:1



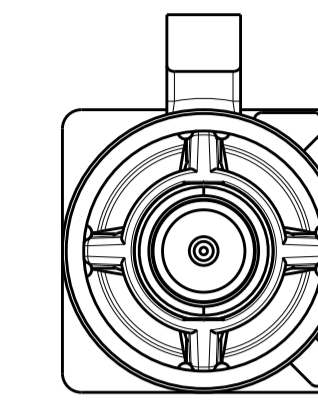
DETAIL C  
SCALE 5:1



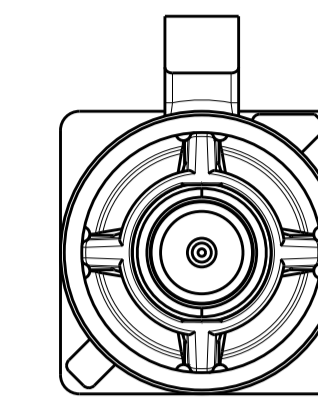
DETAIL D  
SCALE 5:1



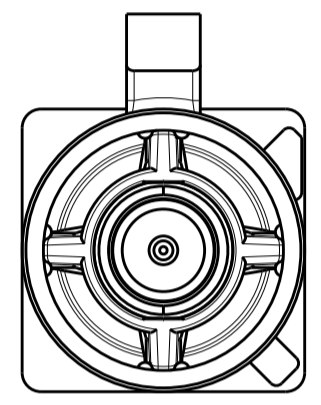
DETAIL E  
SCALE 5:1



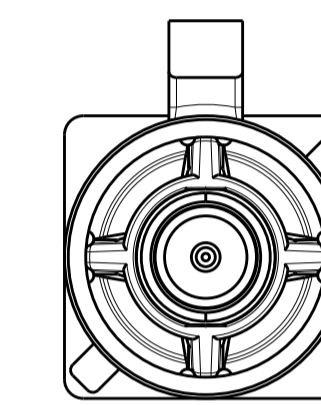
DETAIL F  
SCALE 5:1



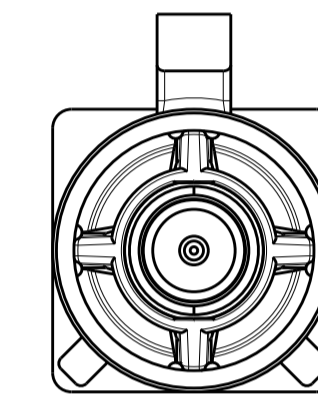
DETAIL G  
SCALE 5:1



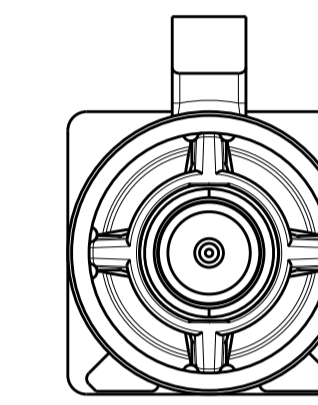
DETAIL H  
SCALE 5:1



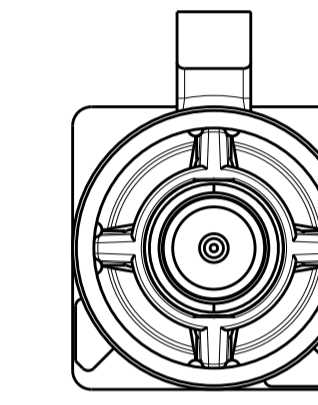
DETAIL I  
SCALE 5:1



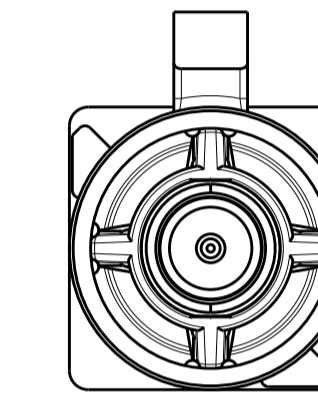
DETAIL K  
SCALE 5:1



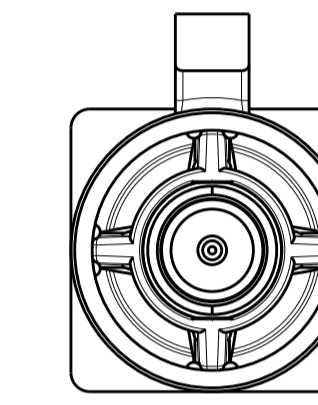
DETAIL L  
SCALE 5:1



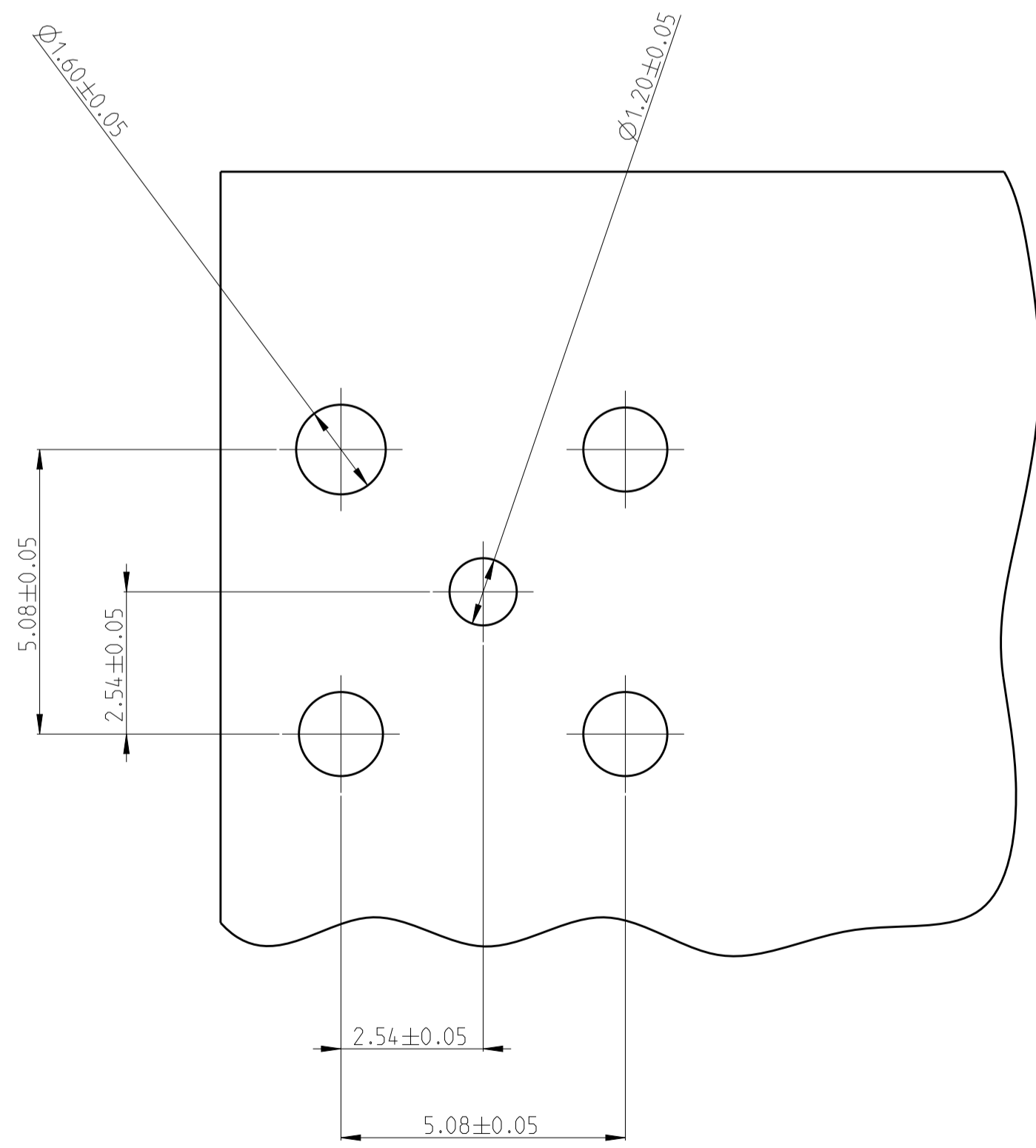
DETAIL M  
SCALE 5:1



DETAIL N  
SCALE 5:1



DETAIL Z  
SCALE 5:1



⊕ 0.1 (ALL HOLES)  
RECOMMEND PCB LAYOUT

THIS DRAWING IS A CONTROLLED DOCUMENT.		DWN: D.ZHU 16MAR2018	
DIMENSIONS: mm		CHK: C.PAN 27APR2018	
TOLERANCES UNLESS OTHERWISE SPECIFIED:		APVD: W.WU 23AUG2018	NAME: MALE ASSEMBLY, 1 POSITION, VERTICAL, PCB, FAKRA
0 PLC ±	1 PLC ±0.3	PRODUCT SPEC: 108-32058	SIZE: A1
2 PLC ±0.20	3 PLC ±	APPLICATION SPEC: 114-32108	CAGE CODE: 00779
4 PLC ±	ANGLES ±	WEIGHT: CUSTOMER DRAWING	DRAWING NO: 2333210
MATERIAL: -	FINISH: -	SCALE: 10:1	SHEET 2 OF 2
			REV: A1