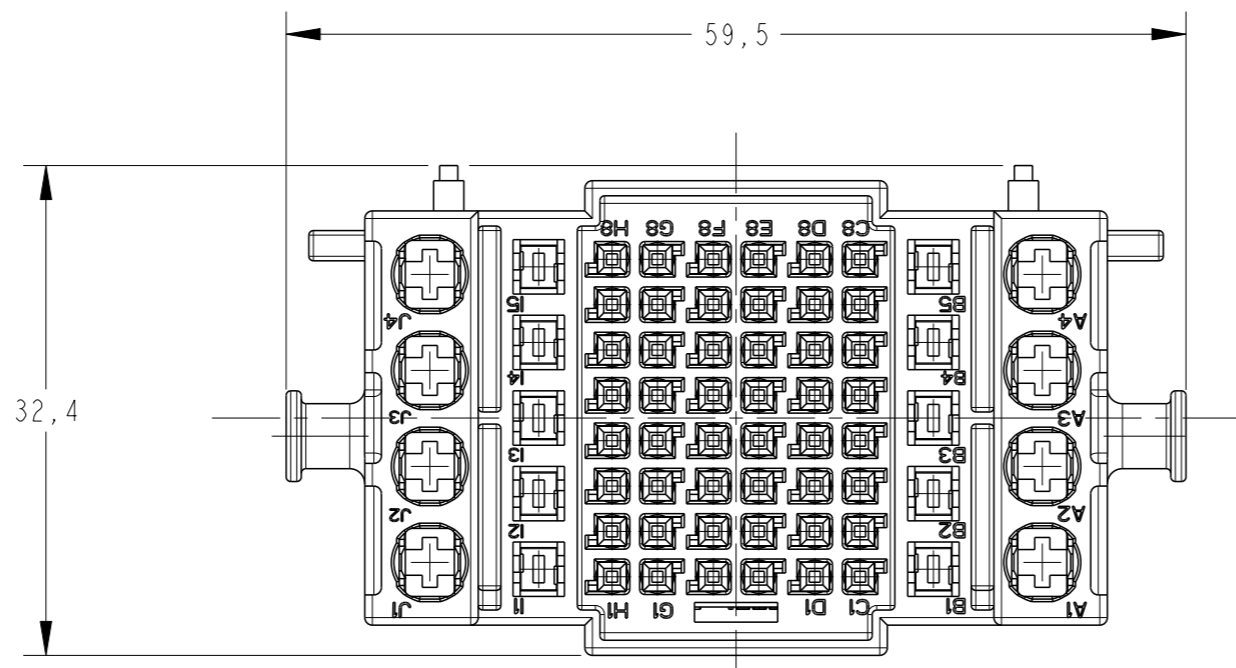
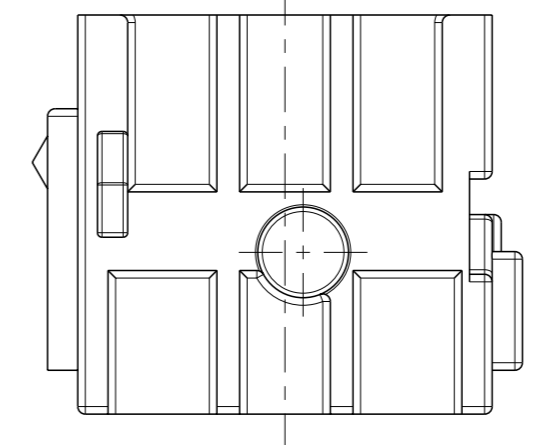
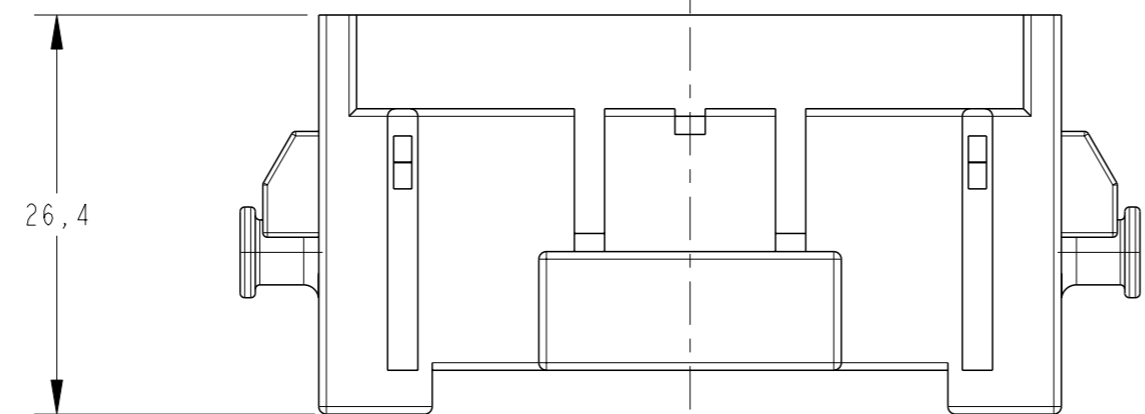
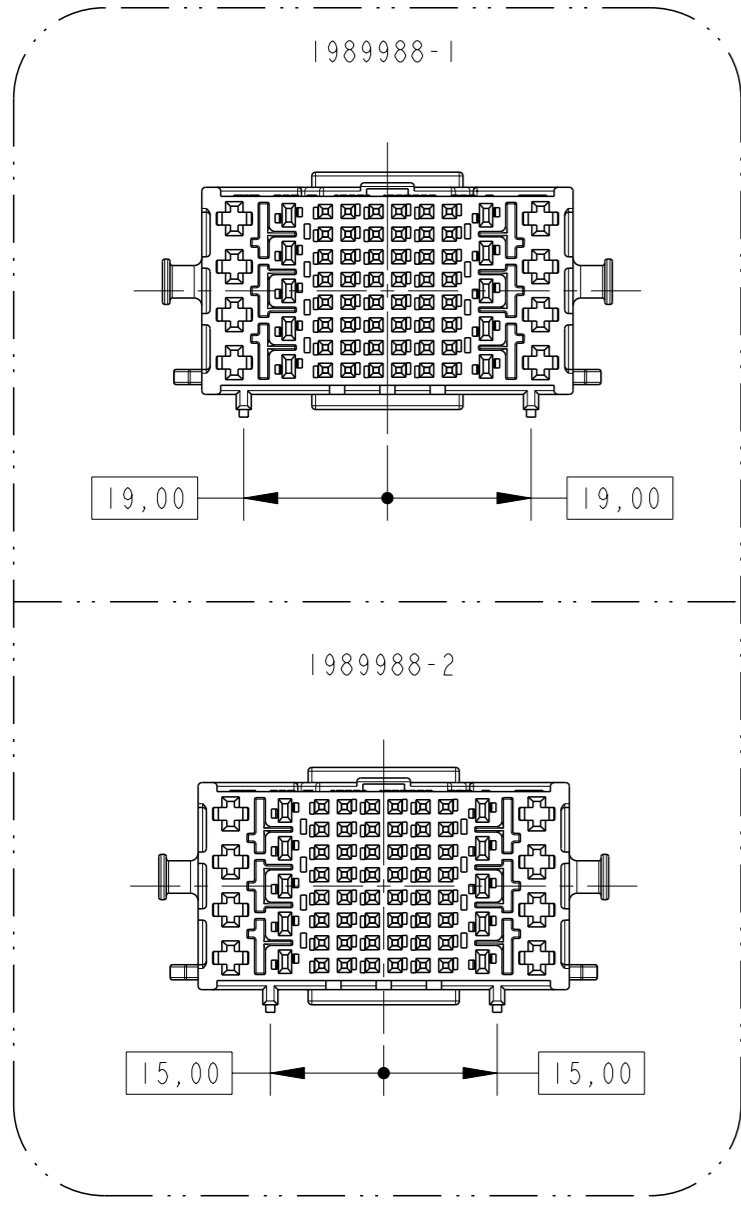
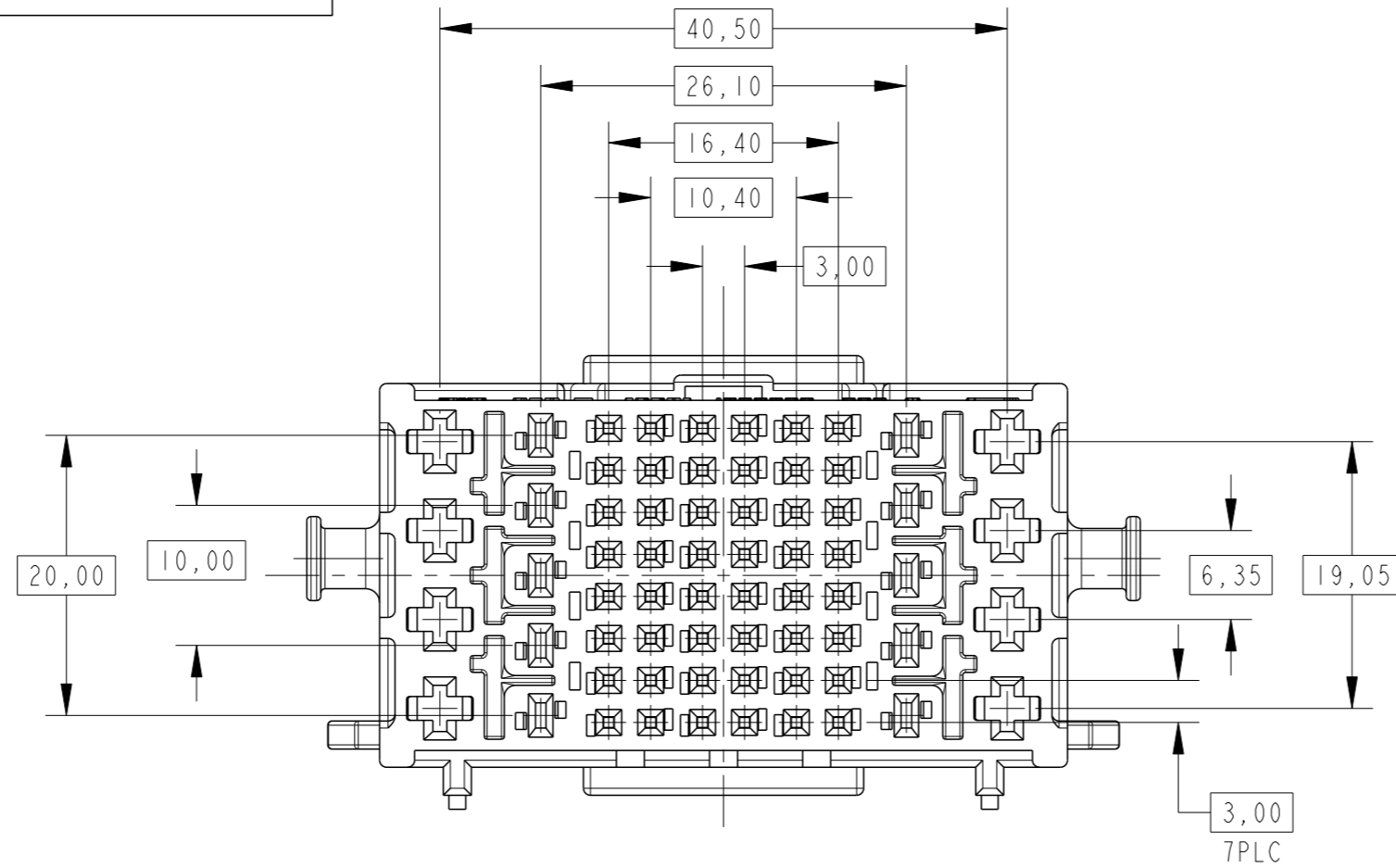


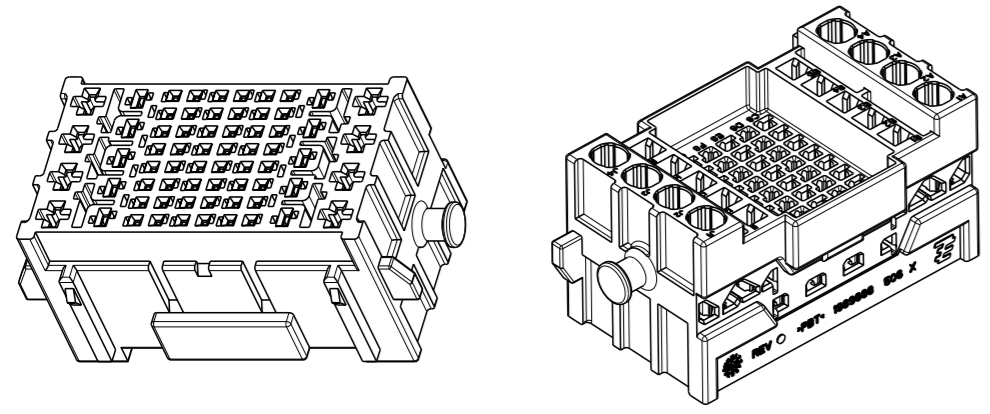
THIS DRAWING IS UNPUBLISHED. RELEASED FOR PUBLICATION 20
 © COPYRIGHT 20 ALL RIGHTS RESERVED.

LOC	DIST	REVISIONS					
AP	-	P	LTR	DESCRIPTION	DATE	DWN	APVD
		A		REVISED BY ECO-11-001759	25JAN2011	EGS	MLO
		B		REVISED DESIGN ECO-11-021364	24JAN2012	NCL	MLO
		BI		REVISED DESIGN ECO-12-009351	21MAY2012	NCL	MLO



GRAVAÇÕES MARKINGS
LOGOTIPO TE TE LOGO
CÓDIGO PAÍS PRODUTOR MANUFACTURER COUNTRY CODE
NOMENCLATURA MATERIAL MATERIAL NOMENCLATURE
NÚMERO COMPONENTE TE TE COMPONENT NUMBER
NÚMERO CAVIDADE CAVITY NUMBER
IDENTIFICAÇÃO CIRCUITO CIRCUIT IDENTIFICATION
PAÍS PRODUTOR MANUFACTURER COUNTRY
REV+ LETRA REV.DA PEÇA REV.+ PART REV.LETTER
CÓDIGO DATADOR ANO/MÉS DATE CODE YEAR/MONTH

- 1 - TERMINAIS REC UTILIZADOS:
0,64 - MQS, PN 928999, 963715
1,5 - MCP, PN 1241436
2,8 - MCP, PN 1355036
 - 2 - CONTRA PEÇA: VEJA DESENHO TE PN 1989987
 - 3 - MONTA COM SEC. LOCK TE PN 1989990
 - 4 - O PRODUTO DEVE ESTAR DE ACORDO COM A ESPECIFICAÇÃO GMW 3191 TESTE DE CONECTOR E ESPECIFICAÇÃO DE VALIDAÇÃO REVISÃO DEZEMBRO 2007 EXCETO TESTES:
- SEQ. 28B - TESTE DE CORROSÃO, NÃO APLICAVEL PARA AMOSTRAS NA POSIÇÃO VERTICAL.
- SEQ. 24A - DRY CIRCUIT RESISTANCE AFTER MECÂNICO E VIBRAÇÃO; ONDE PARA OS TERMINAIS MCP-2.8MM MAX 11,0 mΩ
- 1 - TAB MATING CONTACTS:
0,64 - MQS, PN 928999, 963715
1,5 - MCP, PN 1241436
2,8 - MCP, PN 1355036
 - 2 - COUNTER PART: SEE DRAWING TE PN 1989987
 - 3 - FITS WITH SEC. LOCK TE PN 1989990
 - 4 - PART MUST TO COMPLY WITH GM SPECIFICATION GMW 3191 CONNECTOR TEST AND VALIDATION SPECIFICATION REV. DECEMBER 2007 EXCEPT TESTS:
SEQ. 28B - CORROSION TEST, NOT APPLICABLE FOR SAMPLES IN THE VERTICAL POSITION.
SEQ. 24A - DRY CIRCUIT RESISTANCE AFTER MECHANICAL SHOCK AND VIBRATION TEST: WHEN APPLIED TO TERMINALS MCP-2.8MM MAX 11,0 mΩ



PERSPECTIVE VIEWS
SCALE 1:1

CINZA / GRAY RAL7037	PBT	1989988-2
PRETO / BLACK RAL9011	PBT	1989988-1
FINISH	MATERIAL	PART NUMBER
THIS DRAWING IS A CONTROLLED DOCUMENT. DWN: 26 JAN 2010 R.K.S.T.I.E.M. CHK: 04 MAR 2010 C.G.MARTINS APVD: 04 MAR 2010 D.A.OLIVEIRA PRODUCT SPEC: - APPLICATION SPEC: - MATERIAL: SEE TABLE TOLERANCES UNLESS OTHERWISE SPECIFIED: 0 PLC ± 1 PLC ±1,0 2 PLC ± 3 PLC ± 4 PLC ± ANGLES ± FINISH: SEE TABLE		
NAME: HOUSING 66 POSN RECEPTACLE 0,64 MQS/ 1,5 MCP/ 2,8 MCP		RESTRICTED TO: -
SIZE: A2	CAGE CODE: 00779	DRAWING NO: C-1989988
CUSTOMER DRAWING		SCALE: 1:1 SHEET: 1 OF 1 REV: BI